



USER MANUAL – EN
IN 9100 Twist Stepper inSPORTline Jungy




CONTENTS

SAFETY INSTRUCTIONS..... 3
PRODUCT PARTS..... 4
DIAGRAM..... 4
PARTS LIST 5
PRODUCT OPERATION GUIDE 5
COMPUTER FUNCTIONS 6
PRODUCT INSTALLATION 6
ENVIRONMENT PROTECTION 7
TERMS AND CONDITIONS OF WARRANTY, WARRANTY CLAIMS..... 7


Please read this operation manual carefully, especially the safety warning in order to use it properly. Keep this manual for further reference.

SAFETY INSTRUCTIONS

	<p>CAUTION</p> <p>Read this user manual carefully before use.</p> <p>Follow the assembly instructions carefully.</p>
---	---

1. Ensure all screws and caps are fastened tightly upon the product is assembled completely.
2. Ensure all the spare parts are provided by the manufacturer, unauthorized replacement of spare parts is strictly prohibited.
3. Ensure the health condition before starting to exercise. To ensure sufficient physical strength, exercise should be done properly, regularly, and gradually.
4. Ensure children always use this equipment under adult supervision; otherwise ensure the equipment is kept out of reach of children at all times.
5. Ensure to wear proper outfit while using this equipment to avoid any possible dangerous circumstances. Stop using the equipment immediately and lie down for a rest in case of dizziness, pain, nausea or display motion sickness symptoms.
6. This equipment accommodates for one (1) person at one time
7. Stop using this equipment in case of any damages are found within the unit.
8. Ensure this equipment is placed on a dry, firm and flat surface with ample space for maneuver.
9. This equipment is intended for indoor use only, which is designed for home user and max load user weight is less than 100kgs.
10. Ensure all parts of this equipment are completely examined before use especially on the abrasive parts. Replace the defective component immediately in order to maintain the safety level of this equipment. Perform regular checking according to the assembly instructions of this equipment to ensure its safety level at all time.
11. Disposal of this equipment shall comply with federal and local regulations.
12. Class – HS (according to EN ISO 20957) for home use
13. Ensure that screws and plastic gaskets are lubricated. After a long workout you need to lubricate both plastic gasket.

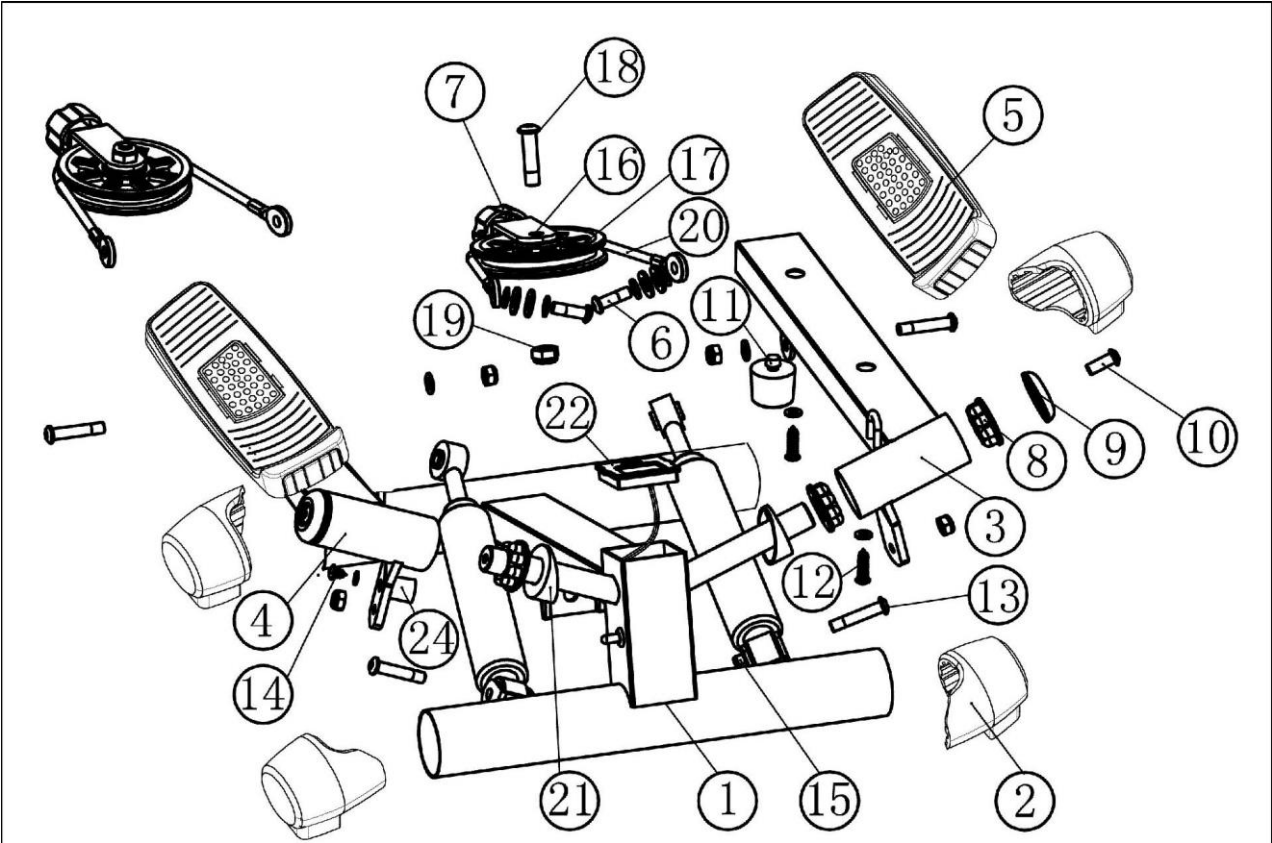


	<p>Correct ways to dispose this equipment</p> <p>This marking indicates that this equipment should not be disposed with other household wastes throughout the EU. To prevent possible harm to the environment or human health from uncontrolled waste disposal, recycle it responsibly to promote the sustainable reuse of material resources.</p>
---	---

PRODUCT PARTS



DIAGRAM



PARTS LIST

Product NO.	Description	QTY
1	Main frame	1
2	End cap (Ø50)	4
3	Pedal frame (L)	1
4	Pedal frame (R)	1
5	Pedal (L+R)	2
6	Bolt (M8X25)	2
7	Adjustment knob	1
8	Plastic bushing (Ø40)	4
9	Bolt cap	2
10	Bolt (M6 * 20)	2
11	Stopper	2
12	Bolt (M5 * 20mm)	4
13	Bolt (M6 * 40mm)	4
14	Bolt (M5 * 10mm)	1
15	Nut (M8)	4
16	Pulley bracket	1
17	Pulley (100)	1
18	Pulley bolt (M10 * 40mm)	1
19	Nut (M10)	1
20	Cable (355mm)	1
21	Oblique bushing (Ø38)	2
22	Computer	1
24	Magnet	1

PRODUCT OPERATION GUIDE

OPERATION PROCEDURE

1. The step height is adjusted using a rotary regulator (Part no.7). Note: As the step height is reduced, there will be a slight increase in resistance.
2. Check that the rotary regulator is working correctly and in full range.
3. The computer will automatically shut off if there is no movement for 4 minutes.
4. The computer will automatically turn on when exercise commences.
5. All functions will automatically stop and a "STOP" sign will appear on top left corner of the computer when there is no movement for 4 sections. Functions will recommence when you begin to exercise.

COMPUTER FUNCTIONS

SCAN	Automatically scans each function in sequence.
TIME	Displays the total time of the workout session starts from 00:00 – 99:59.
COUNT	Displays the total number of steps taken during the workout session.
STRIDES/MIN	Displays the repetitions (or strides) per minute during the workout session.
CAL	Displays the calories burned during the workout session. NOTE: This is an approximate measurement.
FUNCTION BUTTON	To select TIME, COUNT, STRIDES/MIN, CALORIES To RESET the values to default. Press 4 secs to reset the value.

PRODUCT INSTALLATION

STEP 1



Open the Computer (Part: 22). Install the battery into the correct position.

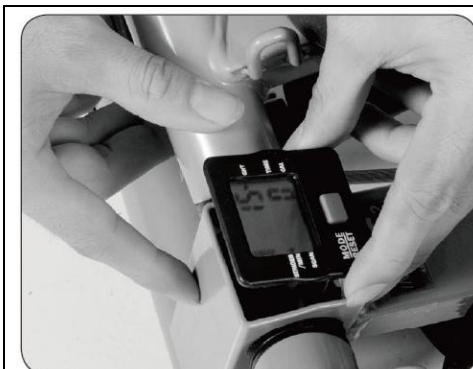
1 x Alkaline cell battery

STEP 2



Connect the Computer (Part: 22) with Main Frame cable (Part: 1).

STEP 3



Install the Computer (Part: 22) into Main Frame (Part: 1).

ENVIRONMENT PROTECTION

After the product lifespan expired or if the possible repairing is uneconomic, dispose it according to the local laws and environmentally friendly in the nearest scrapyards.

By proper disposal you will protect the environment and natural sources. Moreover, you can help protect human health. If you are not sure in correct disposing, ask local authorities to avoid law violation or sanctions.

Don't put the batteries among house waste but hand them in to the recycling place.

TERMS AND CONDITIONS OF WARRANTY, WARRANTY CLAIMS

General Conditions of Warranty and Definition of Terms

All Warranty Conditions stated here under determine Warranty Coverage and Warranty Claim Procedure. Conditions of Warranty and Warranty Claims are governed by Act No. 89/2012 Coll. Civil Code, and Act No. 634/1992 Coll., Consumer Protection, as amended, also in cases that are not specified by these Warranty rules.

The seller is SEVEN SPORT s.r.o. with its registered office in Strakonická street 1151/2c, Prague 150 00, Company Registration Number: 26847264, registered in the Trade Register at Regional Court in Prague, Section C, Insert No. 116888.

According to valid legal regulations it depends whether the Buyer is the End Customer or not.

"The Buyer who is the End Customer" or simply the "End Customer" is the legal entity that does not conclude and execute the Contract in order to run or promote his own trade or business activities.

"The Buyer who is not the End Customer" is a Businessman that buys Goods or uses services for the purpose of using the Goods or services for his own business activities. The Buyer conforms to the General Purchase Agreement and business conditions.

These Conditions of Warranty and Warranty Claims are an integral part of every Purchase Agreement made between the Seller and the Buyer. All Warranty Conditions are valid and binding, unless otherwise specified in the Purchase Agreement, in the Amendment to this Contract or in another written agreement.

Warranty Conditions

Warranty Period

The Seller provides the Buyer a 24 months Warranty for Goods Quality, unless otherwise specified in the Certificate of Warranty, Invoice, Bill of Delivery or other documents related to the Goods. The legal warranty period provided to the Consumer is not affected.

By the Warranty for Goods Quality, the Seller guarantees that the delivered Goods shall be, for a certain period of time, suitable for regular or contracted use, and that the Goods shall maintain its regular or contracted features.

Batteries

6-month battery warranty – we guarantee that battery's nominal capacity does not fall below 70% of its total capacity within 6 months of the product's sale.

The Warranty does not cover defects resulting from (if applicable):

- User's fault, i.e. product damage caused by unqualified repair work, improper assembly, insufficient insertion of seat post into frame, insufficient tightening of pedals and cranks
- Improper maintenance
- Mechanical damages
- Regular use (e.g. wearing out of rubber and plastic parts, moving mechanisms, joints, wear of brake pads/blocks, chain, tires, cassette/multi wheel etc.)
- Unavoidable event, natural disaster

- Adjustments made by unqualified person
- Improper maintenance, improper placement, damages caused by low or high temperature, water, inappropriate pressure, shocks, intentional changes in design or construction etc.

Warranty Claim Procedure

The Buyer is obliged to check the Goods delivered by the Seller immediately after taking the responsibility for the Goods and its damages, i.e. immediately after its delivery. The Buyer must check the Goods so that he discovers all the defects that can be discovered by such check.

When making a Warranty Claim the Buyer is obliged, on request of the Seller, to prove the purchase and validity of the claim by the Invoice or Bill of Delivery that includes the product's serial number, or eventually by the documents without the serial number. If the Buyer does not prove the validity of the Warranty Claim by these documents, the Seller has the right to reject the Warranty Claim.

If the Buyer gives notice of a defect that is not covered by the Warranty (e.g. in the case that the Warranty Conditions were not fulfilled or in the case of reporting the defect by mistake etc.), the Seller is eligible to require a compensation for all the costs arising from the repair. The cost shall be calculated according to the valid price list of services and transport costs.

If the Seller finds out (by testing) that the product is not damaged, the Warranty Claim is not accepted. The Seller reserves the right to claim a compensation for costs arising from the false Warranty Claim.

In case the Buyer makes a claim about the Goods that is legally covered by the Warranty provided by the Seller, the Seller shall fix the reported defects by means of repair or by the exchange of the damaged part or product for a new one. Based on the agreement of the Buyer, the Seller has the right to exchange the defected Goods for a fully compatible Goods of the same or better technical characteristics. The Seller is entitled to choose the form of the Warranty Claim Procedures described in this paragraph.

The Seller shall settle the Warranty Claim within 30 days after the delivery of the defective Goods, unless a longer period has been agreed upon. The day when the repaired or exchanged Goods is handed over to the Buyer is considered to be the day of the Warranty Claim settlement. When the Seller is not able to settle the Warranty Claim within the agreed period due to the specific nature of the Goods defect, he and the Buyer shall make an agreement about an alternative solution. In case such agreement is not made, the Seller is obliged to provide the Buyer with a financial compensation in the form of a refund.

CZ SEVEN SPORT s.r.o.

Registered Office: Strakonická 1151/2c, Praha 5, 150 00, ČR
Headquarters: Dělnická 957, Vítkov, 749 01
Warranty & Service: Čermenská 486, Vítkov 749 01

CRN: 26847264
VAT ID: CZ26847264

Phone: +420 556 300 970
E-mail: eshop@insportline.cz
reklamace@insportline.cz
servis@insportline.cz

Web: www.inSPORTline.cz

SK inSPORTline s.r.o.

Headquarters, warranty & service center: Električná 6471, Trenčín 911 01, SK

CRN: 36311723
VAT ID: SK2020177082

Phone: +421(0)326 526 701
E-mail: objednavky@insportline.sk
reklamacie@insportline.sk
servis@insportline.sk

Web: www.inSPORTline.sk