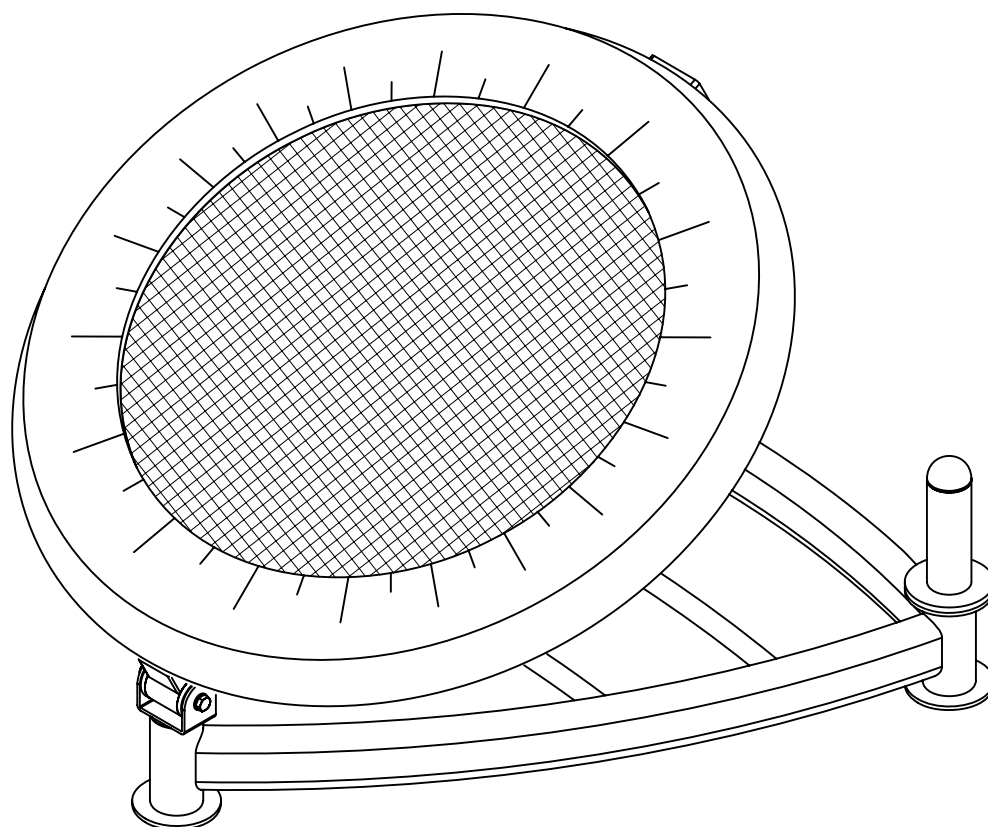
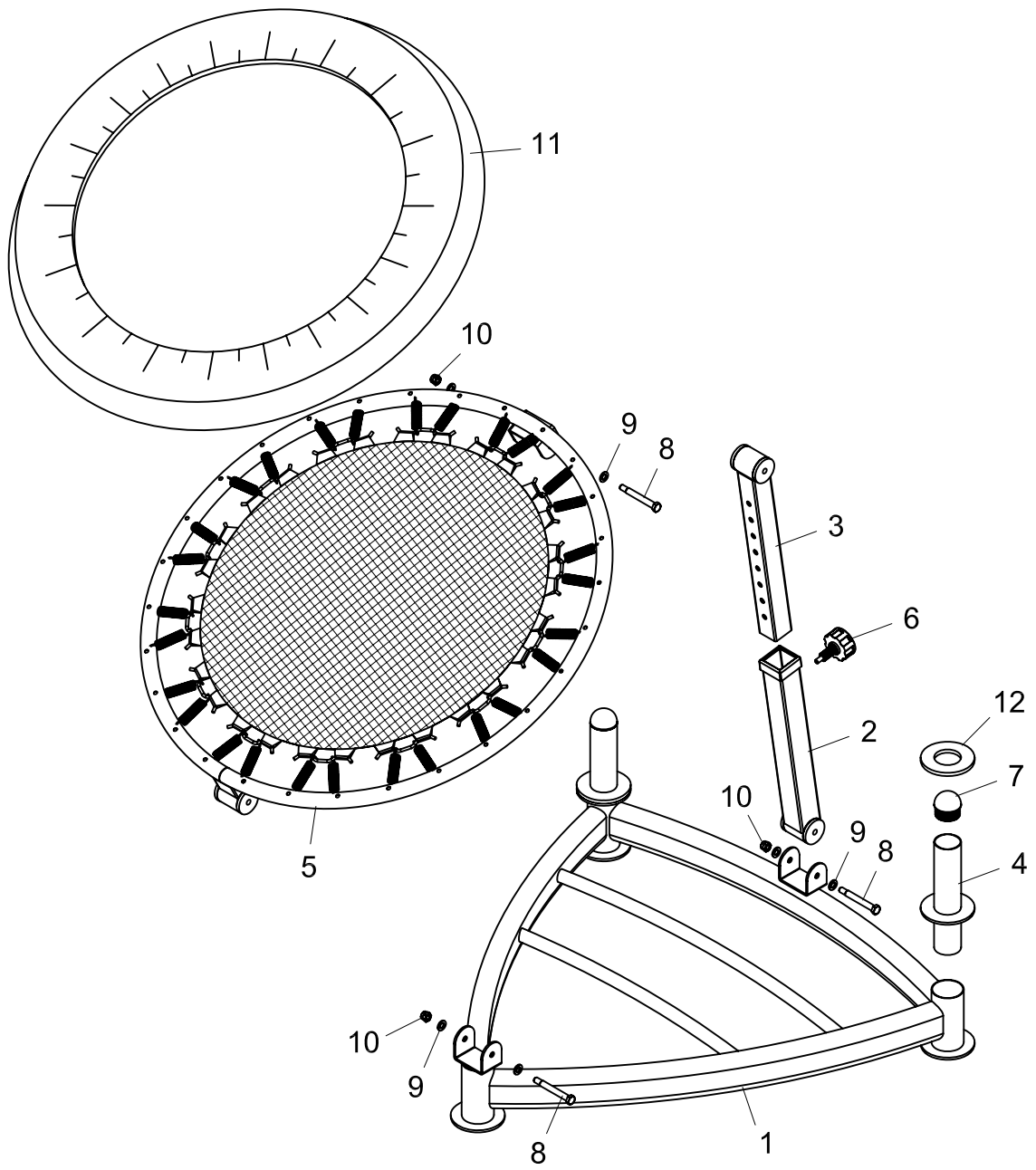


# MEDICINE BALL REBOUNDER

## TR6236





| NUMBER | DESCRIPTION        | QUANTITY |
|--------|--------------------|----------|
| 1      | MAIN BASE          | 1        |
| 2      | UPRIGHT SUPPORT    | 1        |
| 3      | ADJUSTABLE SUPPORT | 1        |
| 4      | BAR                | 2        |
| 5      | TRAMPOLINE         | 1        |
| 6      | FAST PIN           | 1        |
| 7      | ROUND PLUG         | 2        |
| 8      | BOLT M10*90        | 3        |
| 9      | WASHER 10          | 6        |
| 10     | LOCK NUT M10       | 3        |
| 11     | PVC COVER          | 1        |
| 12     | RUBBER PAD         | 2        |