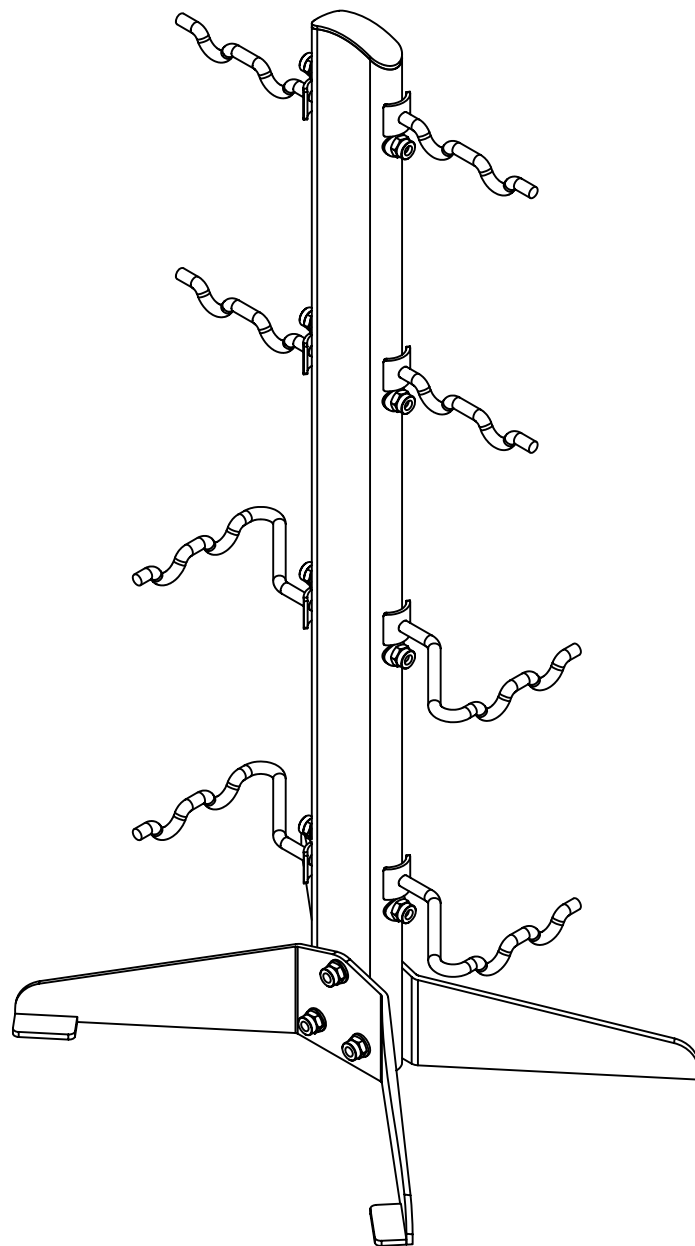
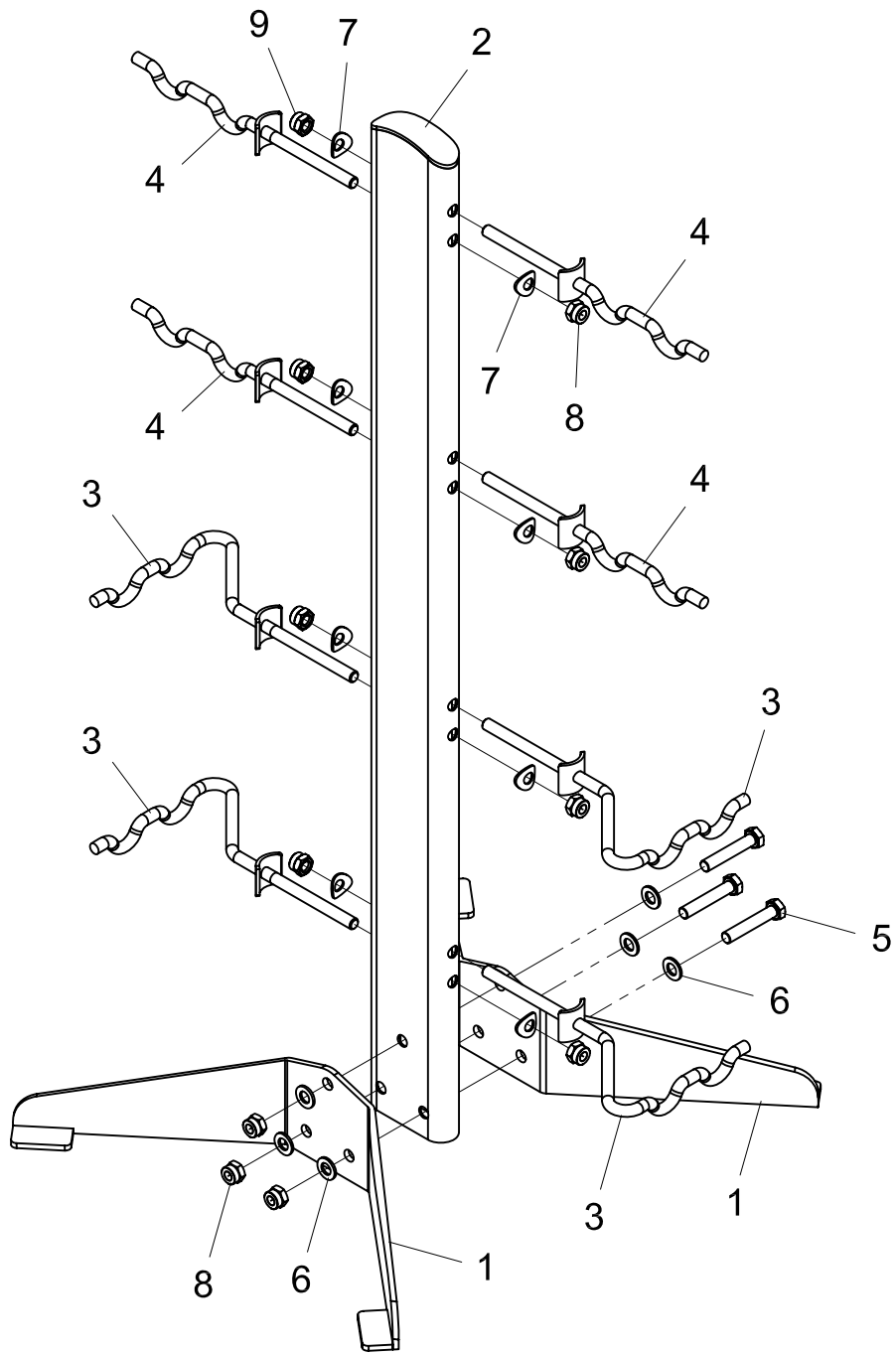


# MACHINE ATTACHMENT RACK RK1164





NUMBER	DESCRIPTION	QUANTITY
1	MAIN BASE	2
2	UPRIGHT SUPPORT	1
3	BEND HOOK	4
4	STRAIGHT HOOK	4
5	BOLT M10*55	3
6	WASHER 10	6
7	ARC WASHER 8	8
8	LOCK NUT M10	3
9	LOCK NUT M8	8