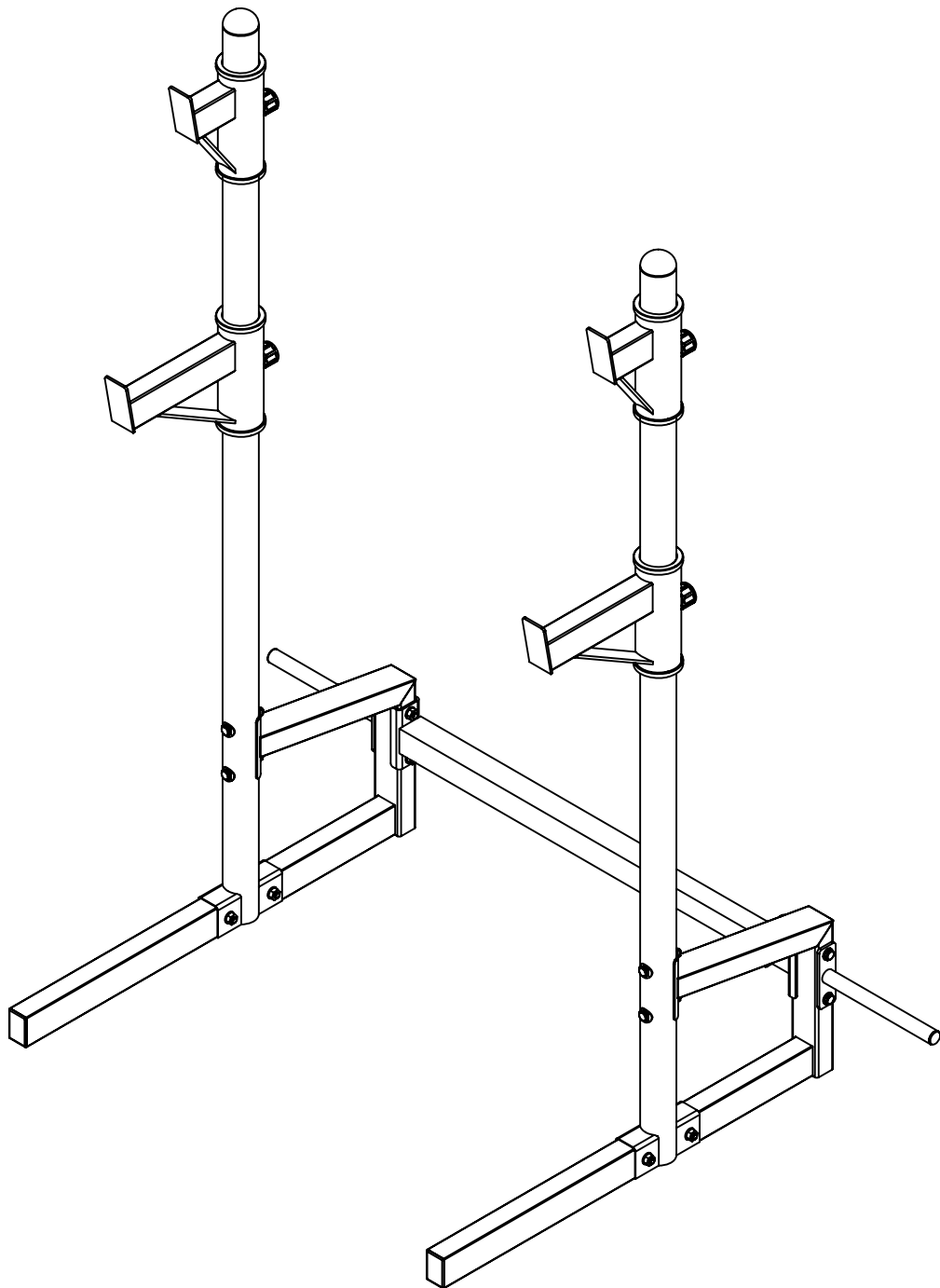
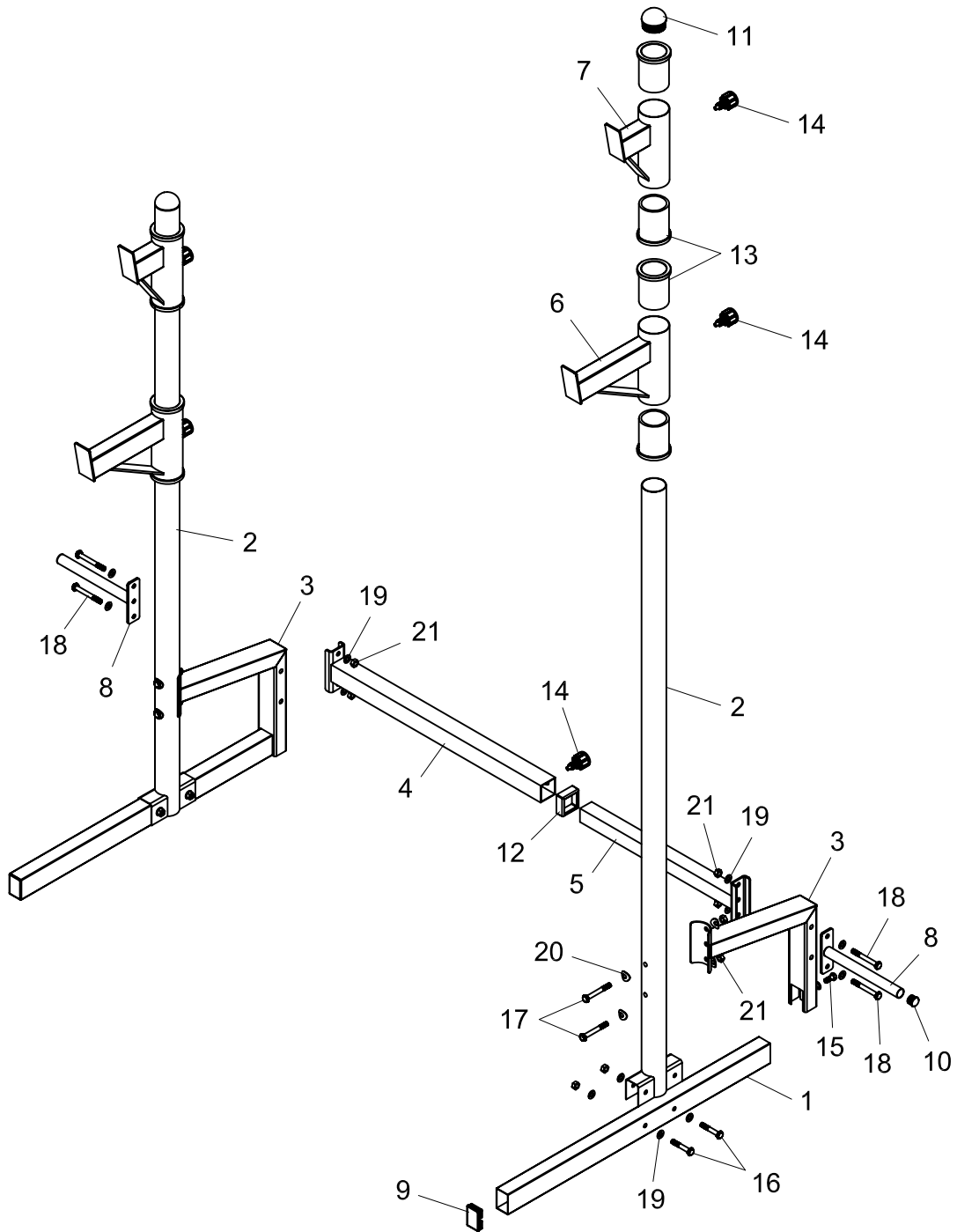


# BARBELL RACK RK1021





NUMBER	DESCRIPTION	QUANTITY	NUMBER	DESCRIPTION	QUANTITY
1	BASE	2	12	SQUARE BUSHING	1
2	UPRIGHT SUPPORT	2	13	ROUND BUSHING	8
3	REAR SUPPORT	2	14	FAST PIN	5
4	LEFT JOINT TUBE	1	15	BOLT M10*25	2
5	RIGHT JOINT TUBE	1	16	BOLT M10*65	4
6	BOTTOM BARBELL SUPPORT	2	17	BOLT M10*80	4
7	UPPER BARBELL SUPPORT	2	18	BOLT M10*85	4
8	PLATE BAR	2	19	FLATE WASHER 10	18
9	RECTANGLE PLUG	2	20	BEND WASHER 10	8
10	ROUND PLUG-25	2	21	LOCK NUT M10	12
11	ROUND PLUG-60	2			