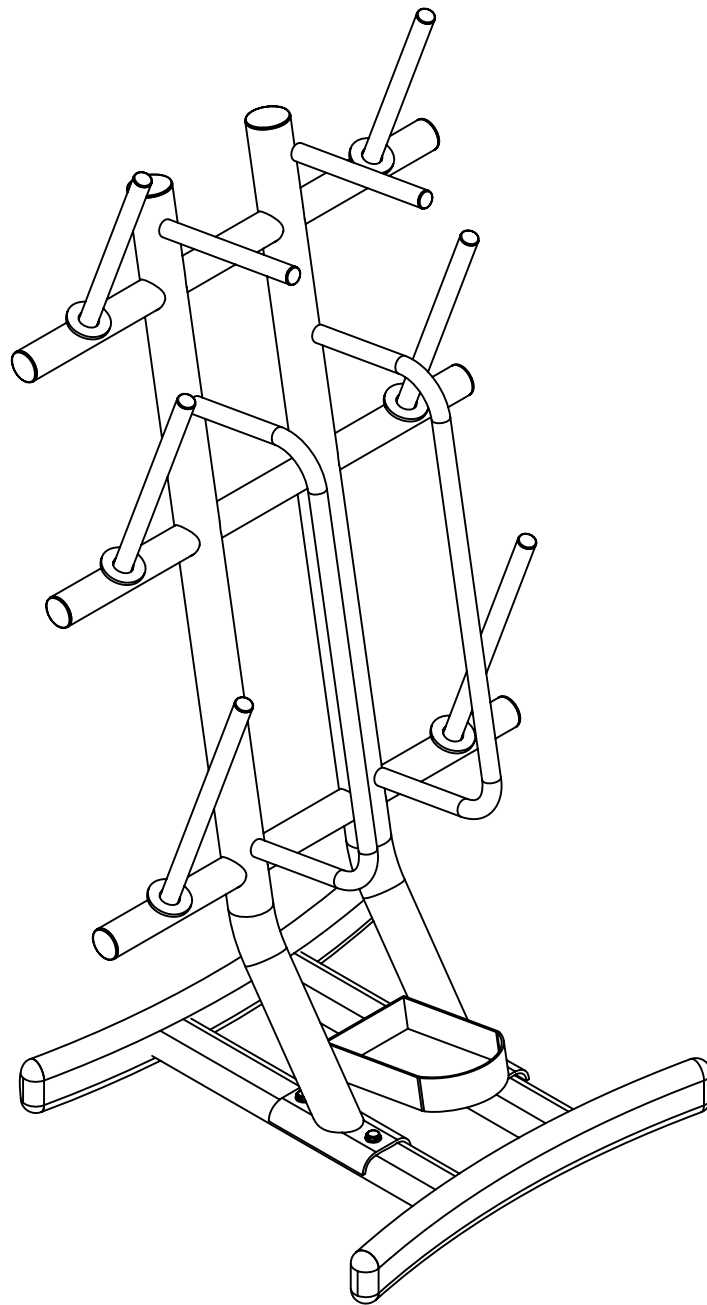
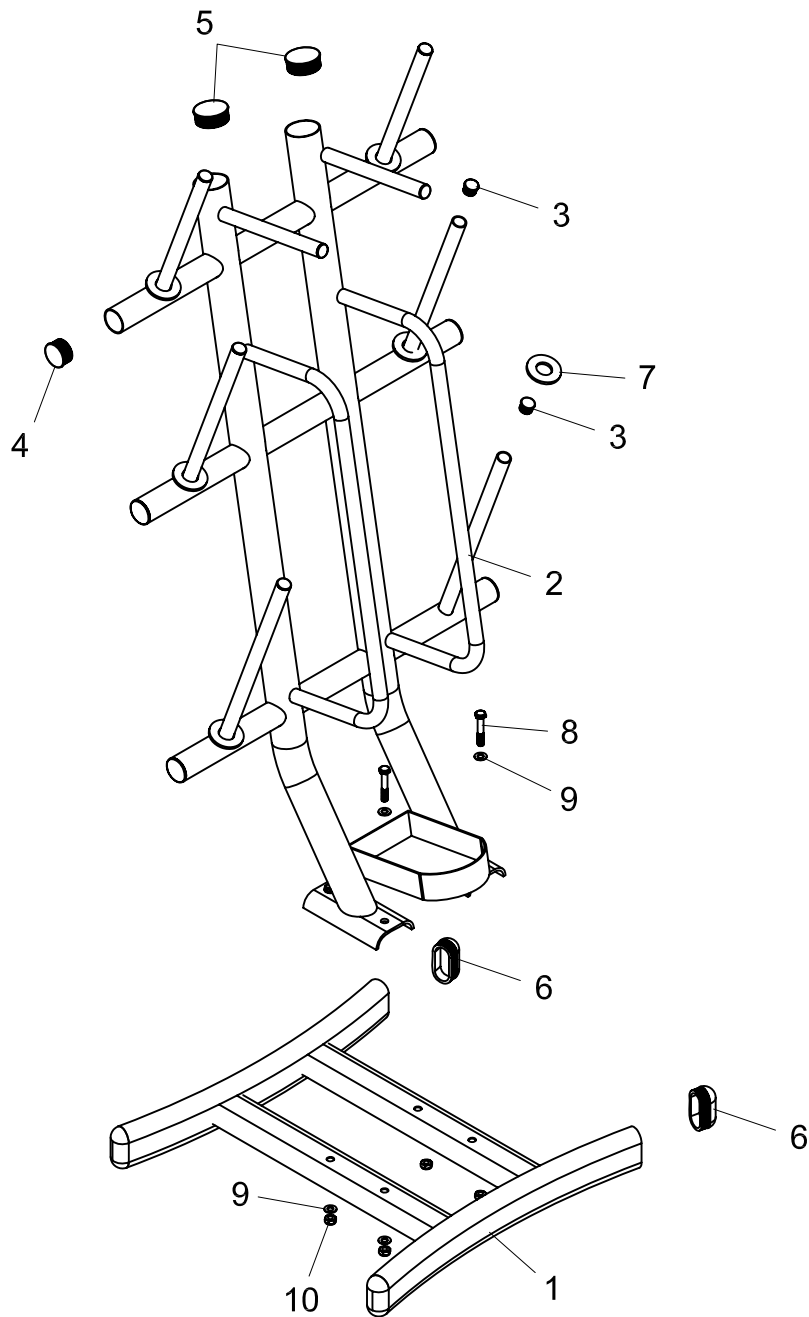


PUMP SET RACK RK4062Z





| NUMBER | DESCRIPTION | QUANTITY |
|--------|-----------------------|----------|
| 1 | MAIN BASE | 1 |
| 2 | MAIN FRAME | 1 |
| 3 | ROUND PLUG-25 | 8 |
| 4 | ROUND PLUG-45 | 6 |
| 5 | ROUND PLUG-60 | 2 |
| 6 | ELLIPTICAL PLUG 80*40 | 4 |
| 7 | RUBBER PAD | 6 |
| 8 | BOLT M10*60 | 4 |
| 9 | WASHER 10 | 8 |
| 10 | LOCK NUT M10 | 4 |