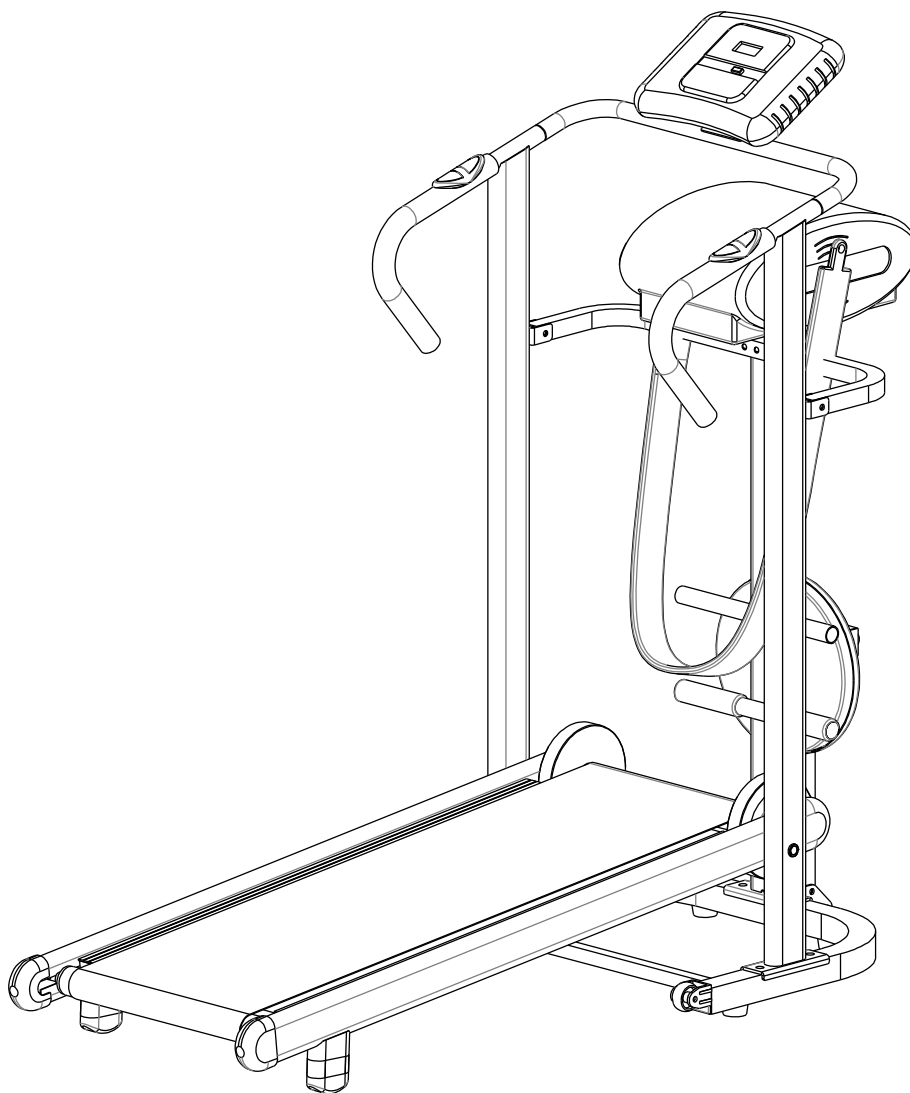




**USER MANUAL – EN**  
**IN 6934 Treadmill inSPORTline Bajamo**



**IMPORTANT:** Read all instructions carefully before using this product. Retain this Owner's manual for future reference.

# CONTENTS

1. WARNING.....	3
2. SAFETY TIPS.....	3
3. ASSEMBLY INSTRUCTION .....	4
PARTS LIST.....	4
ASSEMBLY INSTRUCTIONS FOR TREADMILL.....	5
FOLDING .....	7
4. THE MAINTENANCE AND THE ADJUSTMENT OF THE MACHINE .....	8
5. TERMS AND CONDITIONS OF WARRANTY, WARRANTY CLAIMS	Chyba! Záložka není
<b>definována.</b>	

## 1. WARNING

- Exercise programs of any kind present an inherent danger to the participant.
- Serious or fatal injury can occur.
- Consult your doctor before beginning any exercise program.
- All equipment and accessories are intended to be used by adults only in the manner shown / illustrated / described. Anyone under the age of 18 should have adult supervision.
- Always keep children and pets away from equipment
- Always follow instructions (if provided).
- Use proper techniques and common sense when exercising.
- Always check your equipment thoroughly for worn or damaged parts before using. If any defects are found, do not use this product.

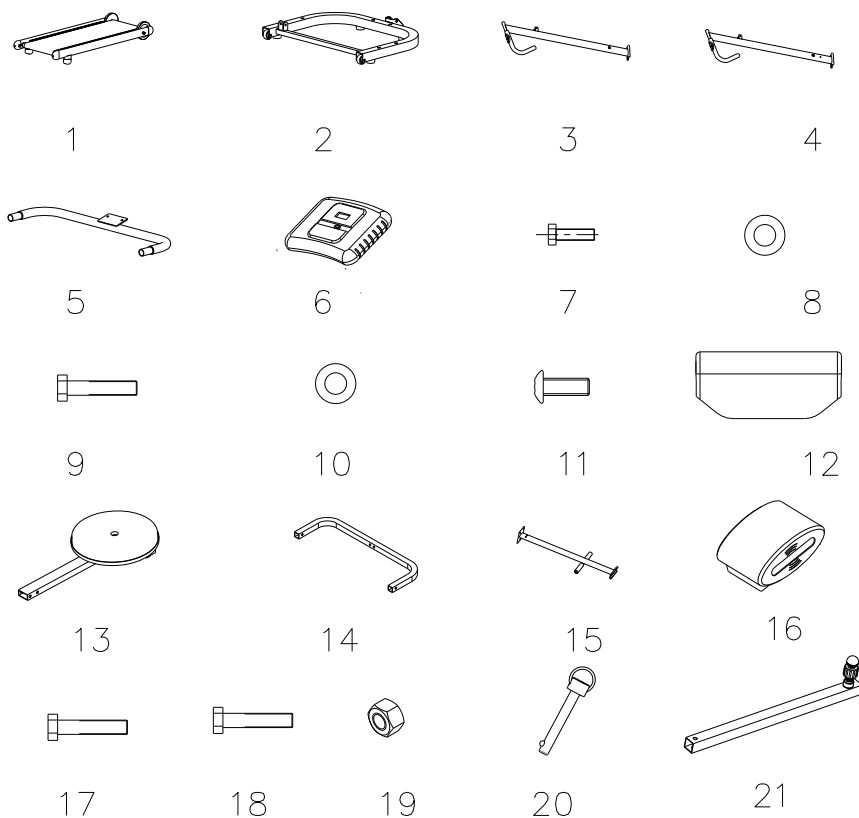
**Maximum user weight: 240lbs / 110kg**

## 2. SAFETY TIPS

- Before beginning any new exercise program it is advisable to consult your doctor to determine if you have any physical or health conditions that could create a risk to your health and safety.
- Be aware of your body's signals. Incorrect or excessive exercise can be dangerous to your health. Stop exercising if you experience any of the following symptoms: pain, tightness in your chest, irregular heartbeat, extreme shortness of breath, feeling light headed, dizzy or nauseous. If you experience any of these conditions you should consult your doctor immediately.
- Always wear suitable clothing while exercising.
- Keep children and pets away from exercise equipment.
- Do not put your hand near any of the movable parts to protect the hand and fingers from injury.
- Keep the children away from the machine during your workout.
- If using the treadmill for running exercise, please make sure that you hold the handle bar to avoid falling down.
- If you feel dizziness, nausea, chest pain, or any other abnormal feeling, stop the workout immediately.

### 3. ASSEMBLY INSTRUCTION

The parts of this machine are as follows, open the packing box, and take out the following parts.



#### PARTS LIST

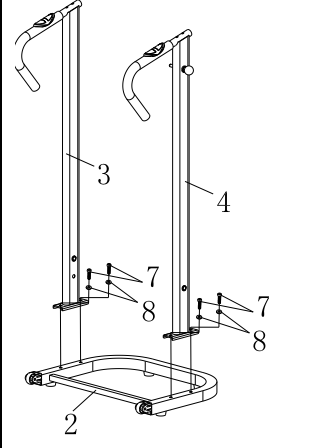
NO.	Description	Spec.	QTY	NO.	Description	Spec.	QTY
1	Main frame		1	12	Handgrip cover		2
2	Base		1	13	Twister		1
3	Vertical tube(L)		1	14	Connect post		1
4	Vertical tube(R)		1	15	Massage frame		1
5	Meter Post		1	16	Massager		1
6	Meter		1	17	Inner hex cylinder head bolt	M8 x 40	2
7	Hexagonal Bolt	M10 x 20	4	18	Inner hex cylinder head bolt	M8 x 57	3
8	Flat Washer	φ10	4	19	Loose-protected nut	M8	5
9	Hexagonal Bolt	M12 x 65	2	20	Spring pin	φ8 x 60	1
10	Flat Washer	φ12	2	21	Adjustable post		1
11	Cross Pan Head Screw	M6 x 12	4				

## ASSEMBLY INSTRUCTIONS FOR TREADMILL

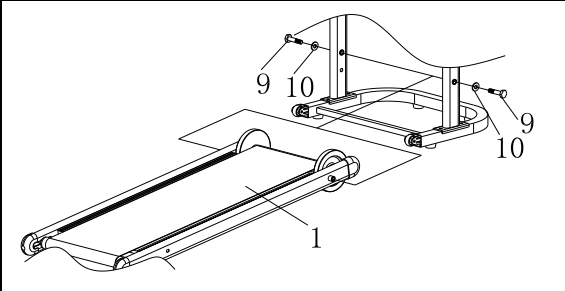
A flat area of 4' x 3' will be required to properly assemble the treadmill.

Adjustable Wrench and M8 and M10 Allen Wrench will be required to complete the assembly.

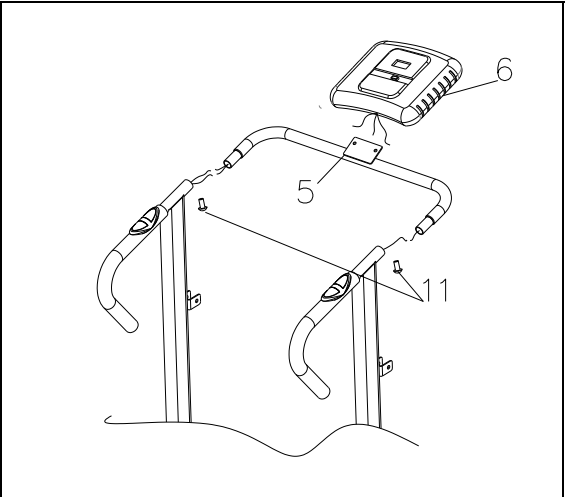
### Step 1:

	<ol style="list-style-type: none"><li>1. Open the packing box, take out the above parts, and then put them on the flat floor.</li><li>2. Please connect the vertical tube (3) (4) to the base (2) with hexagonal bolt M10 x20 (7) and flat washer (8).</li></ol>
---	--

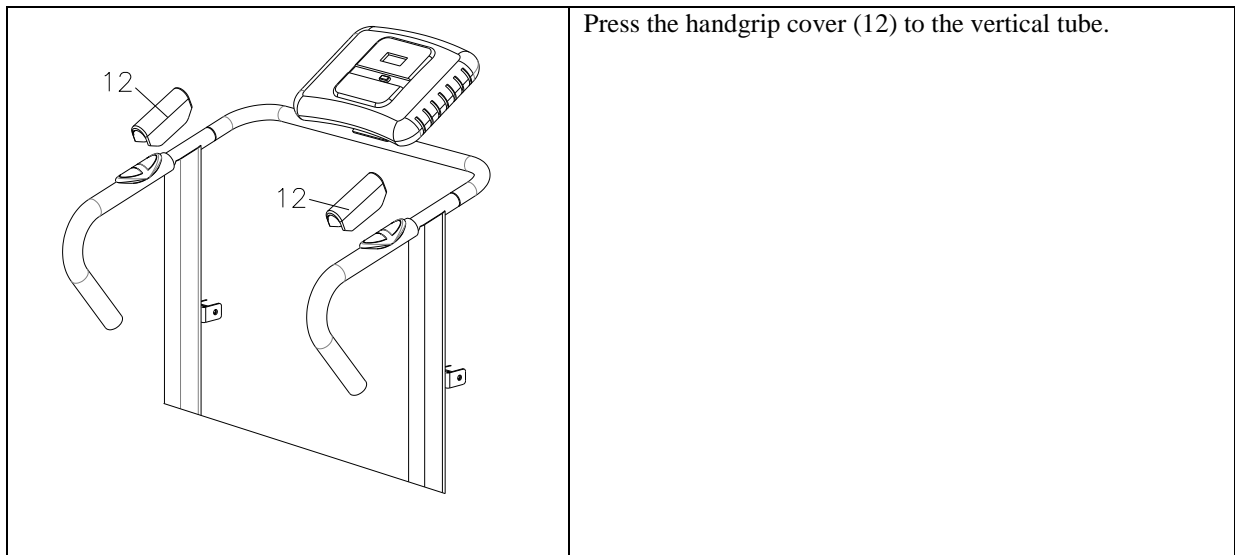
### Step 2:

	<p>Fix the mainframe (1) to the vertical tube with hexagonal bolt M12 x65 (9) and flat washer (10).</p>
--	---

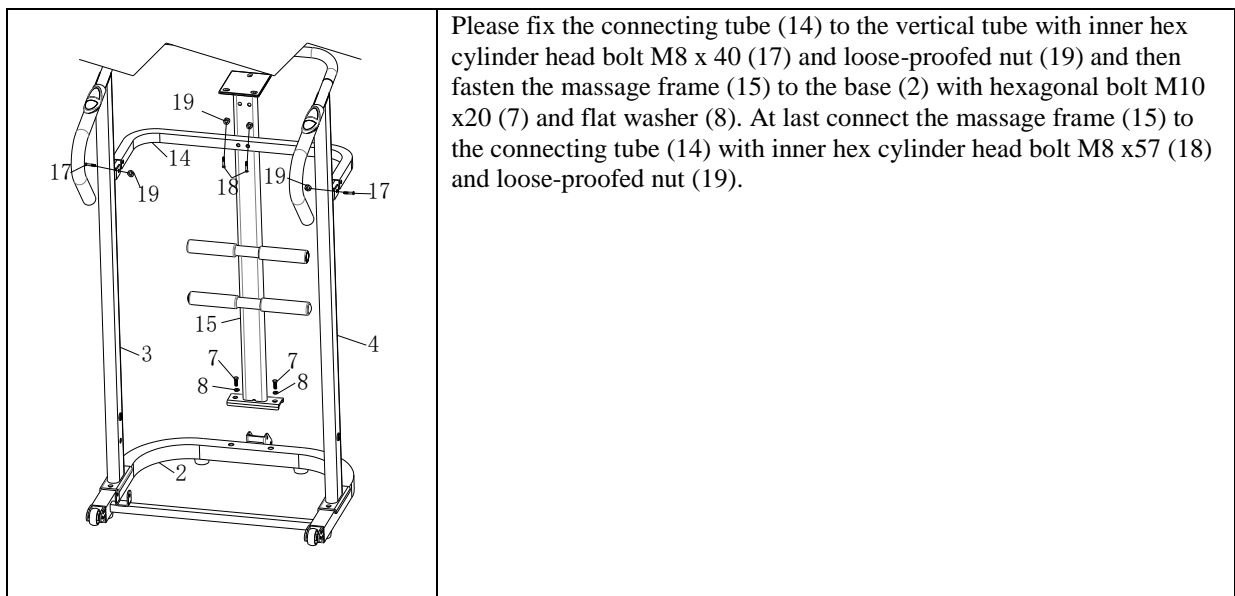
### Step 3:

	<p>Connect the sensor wire first and then tighten the meter post (5) to the vertical tube with cross pan head screw M6 x12 (11). At last fix the meter (6) to the meter post (5).</p>
---	---

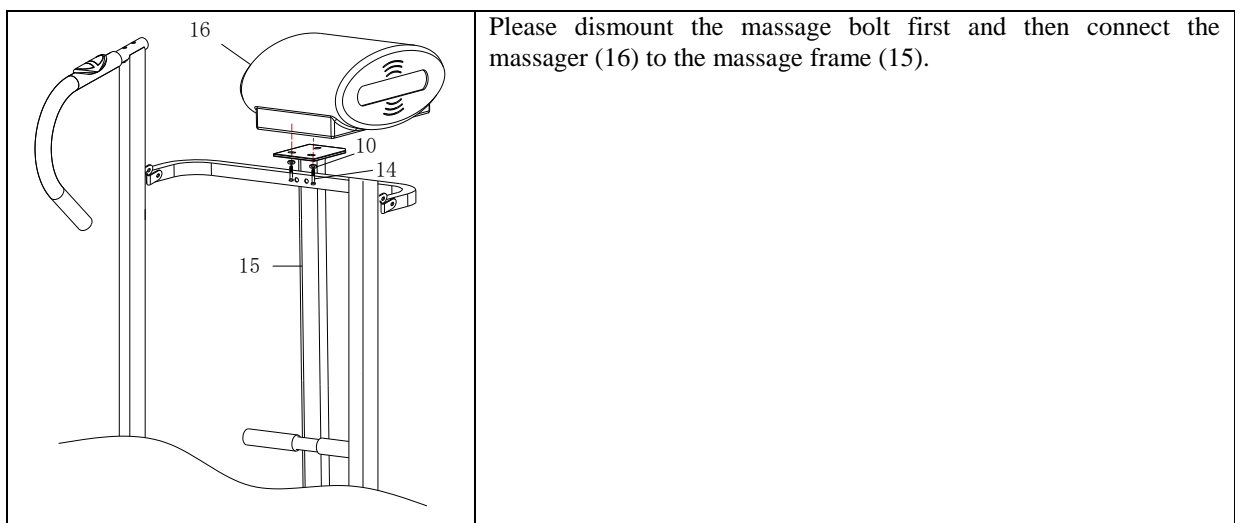
### Step 4:



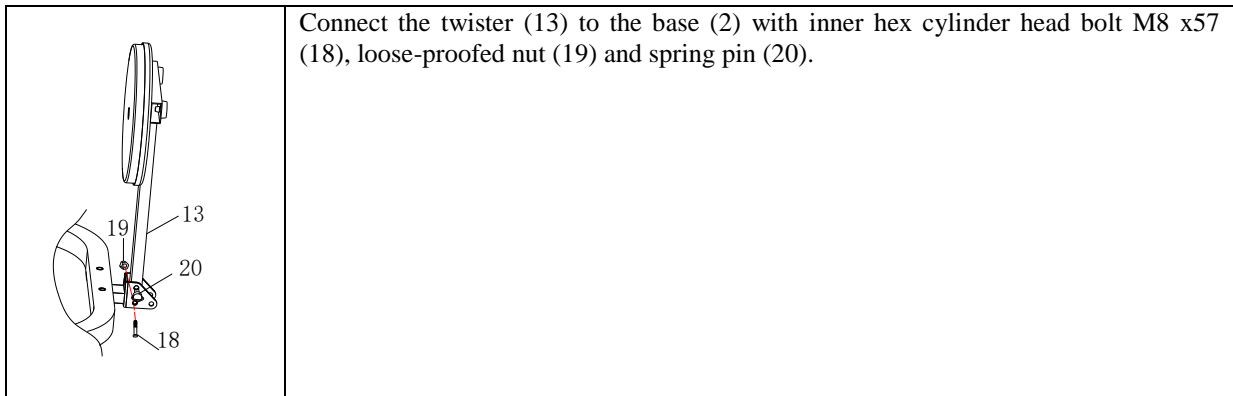
**Step 5:**



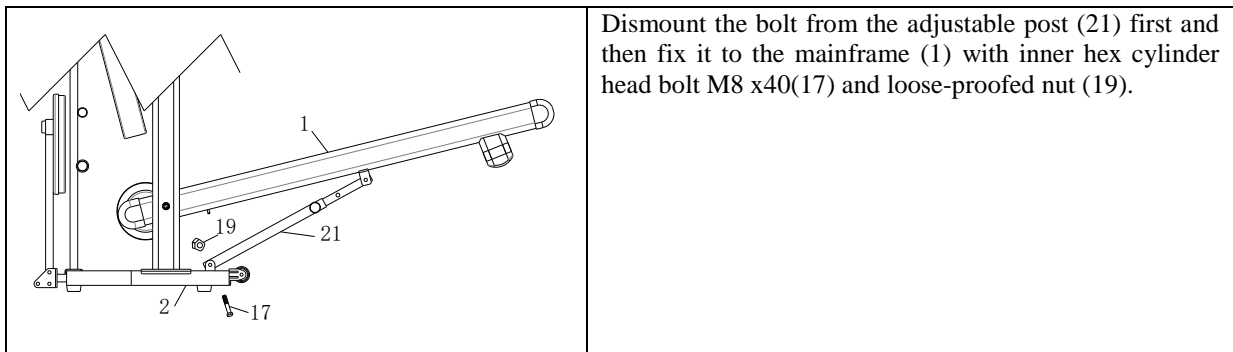
**Step 6:**



**Step 7:**

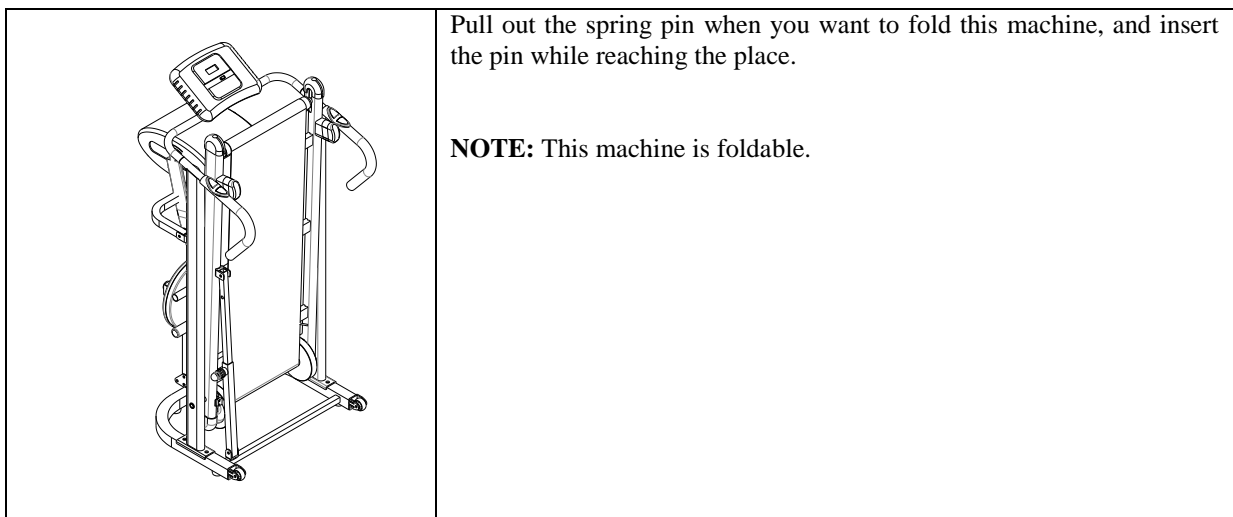


**Step 8:**



Please refer to the illustration to ensure that all parts are oriented correctly. **HANDS TIGHTEN ALL BOLTS INITIALLY UNTIL THE UNIT IS COMPLETELY ASSEMBLED.** After assembly is fully complete, go back and tighten all bolts.

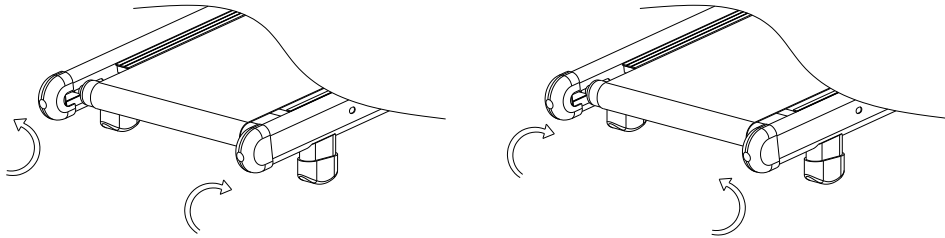
**FOLDING**



## 4. THE MAINTENANCE AND THE ADJUSTMENT OF THE MACHINE

### Adjustment of the Machine:

Before delivery of the product, the worker and the QC have adjusted the running belt to the best condition. If running belt deviate, you can adjust it through the Belt Adjustment Bolt. You can adjust the running belt left or right toward the center position by adjust the Belt Adjustment Bolt clockwise or anticlockwise.



### Maintenance of the running belt:

After using this machine for some time, you may feel the resistance increase, so it is necessary to clear and lubricate the machine. Follow below: open one side of the tube, clear the board, and add wax evenly on the face of the board.