



USER MANUAL – EN

IN 6853 Table Tennis Table inSPORTline Deliro Deluxe



CONTENTS

- RECOMMENDED USE AND PRECAUTIONS 3
- PARTS LIST 3
- ASSEMBLY INSTRUCTIONS 4
 - STEP 1 4
 - STEP 2 5
 - STEP 3 5
 - STEP 4 6
- SINGLE PLAYER AND STORING YOUR TABLE 7
- CARE AND MAINTENANCE 7
- TERMS AND CONDITIONS OF WARRANTY, WARRANTY CLAIMS 8

WARNING!

DO NOT ASSEMBLE OR USE THIS TABLE WITHOUT READING THIS MANUAL FIRST.

CLASSIFICATION

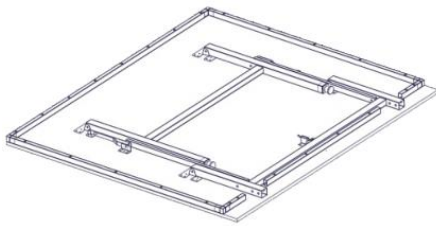
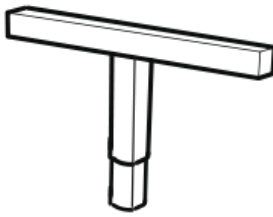
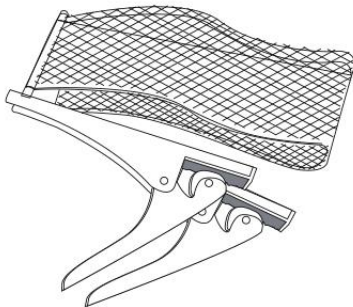
Class	B (School and club sports)
Type	3 (Rollaway table with two separate tabletops each having its affixed folding undercarriage)




RECOMMENDED USE AND PRECAUTIONS

Anyone using or handling this table tennis table must always follow the illustrated instructions attached to the back of the board and be fully aware of the operation instructions.

1. Handling the table (assembly, folding or storing) should always be done by two adults to prevent an accident or injury.
2. Do not tighten the nuts and screws of the moving parts too much and test their functionality immediately afterwards.
3. Make sure that no people or objects are in the way of the boards when unfolding the table.
4. Do not put heavy objects on the table.
5. Do not sit on the table.
6. Do not clean the table with solvents or any other aggressive product because it could damage the paint finish.
7. Do not use sharp objects on the board or paint on the surface.
8. If the table is used for purposes other than playing table tennis, cover the surface to prevent any damage.
9. The use and storage of this product should always be supervised by an adult.
10. Do not store or move the table on an unstable floor surface.
11. If the table gets damaged or can no longer be used safely, store it or secure the table top with a cover until the problem is solved.
12. If the table gets damaged, contact the retailer for original spare parts immediately.
13. To extend the life of this product, protect it from moisture or unpleasant weather conditions.
14. Should you want to dispose of the table, seek out specialized waste disposal site in accordance with local legislation and regulations.
15. The product is suitable for indoor use only.

PARTS LIST

P1 / QTY: 2	P2 / QTY: 4	P3 / QTY: 1
		
2 X TABLE TOP	4 X "T" LEG	1 X NET AND POSTS

P4 / QTY: 8	P5 / QTY: 8	P7 / QTY: 8
 <p data-bbox="303 504 518 537">8 X SCREW SET</p>	 <p data-bbox="750 504 901 537">8 X WHEEL</p>	 <p data-bbox="1029 504 1388 537">8 X WASHER FOR WHEELS</p>

ASSEMBLY INSTRUCTIONS

Open the box and position the two play surfaces face down on the cardboard.

Note: Make sure that at least two adults handle the table at all times during the assembly.

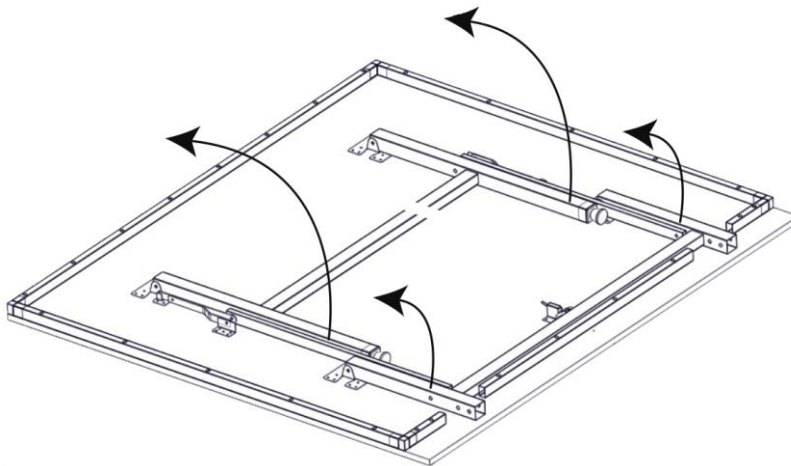
TOOLS REQUIRED FOR ASSEMBLY

Wrench Set – INCLUDED



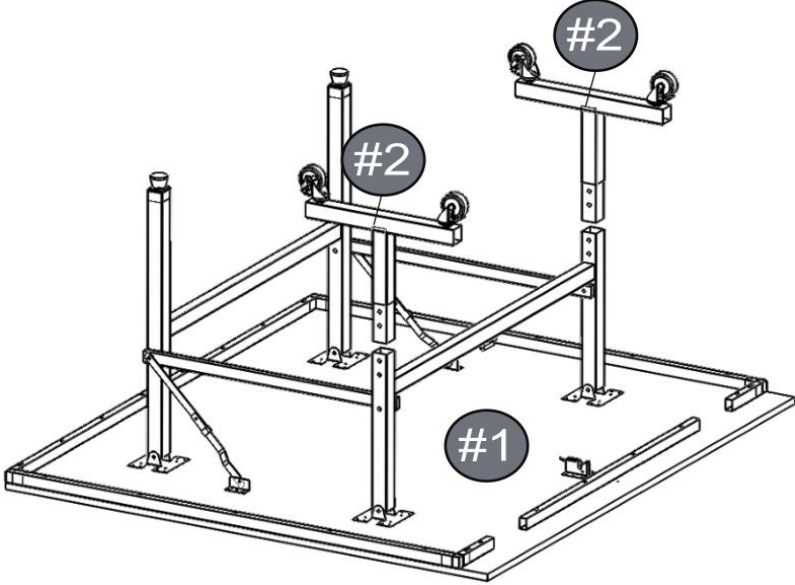
STEP 1

Carefully lay down the whole table top (P1) face down on a soft surface to avoid scratching. Unfold the legs and secure them in place by making sure the gray diagonal support struts are fully straightened.



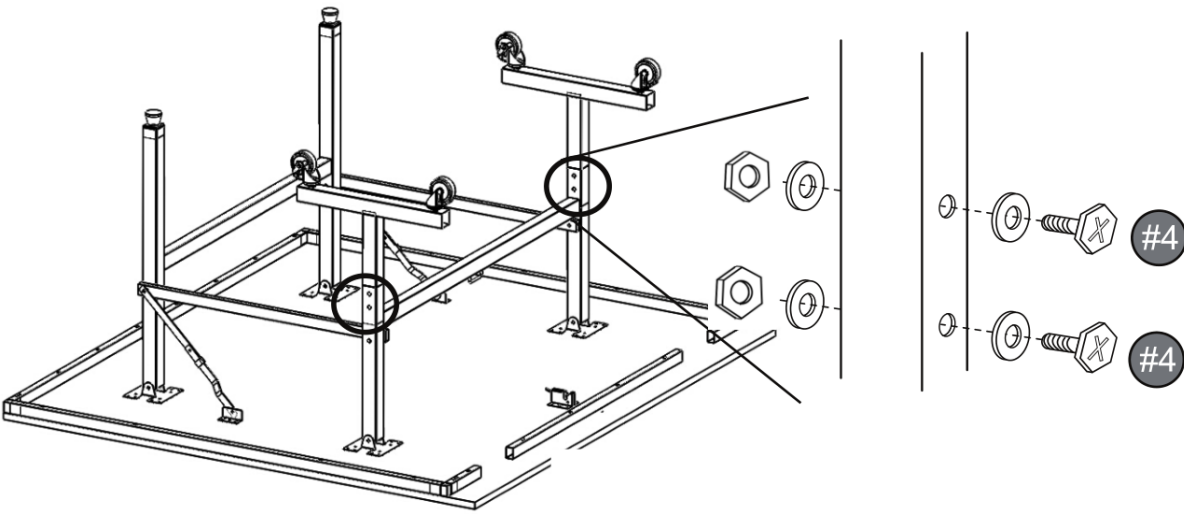
STEP 2

Connect the four T legs (P2) to the shorter legs as shown in the picture.



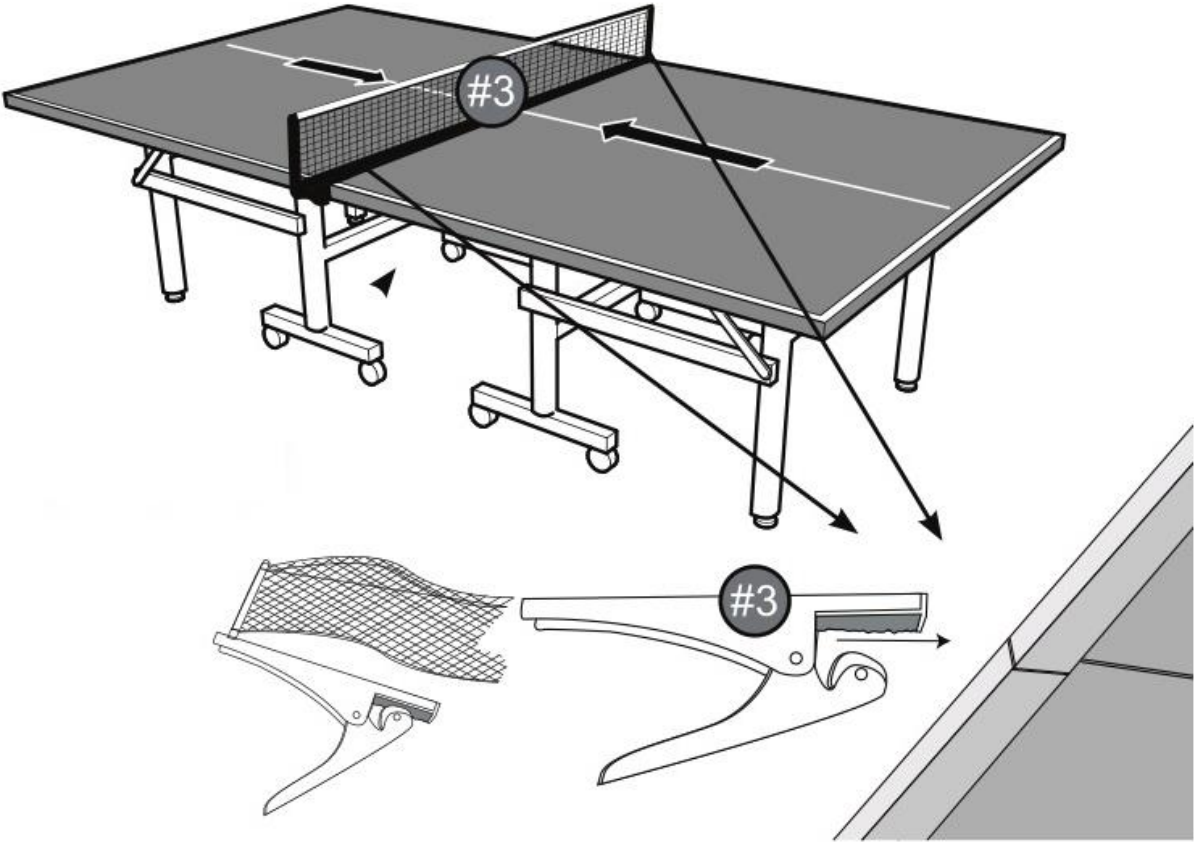
STEP 3

Secure the T legs (P2) in place using the screw set (P4) as shown in the picture. Make sure the screws and bolts are fixed tightly, then carefully turn the table tops over into the playing position. Adjust the leg and wheels to create an even playing surface.



STEP 4

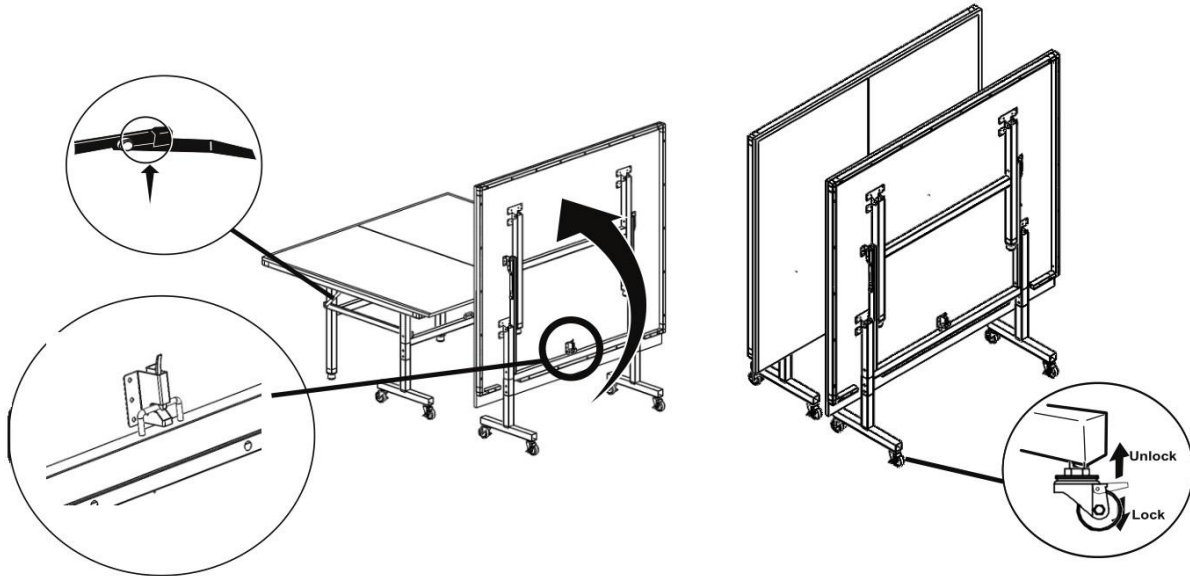
Put both halves of the table top together and attach the net. The net clamps should be connected along the center line of the tables and secured in place, making the net tight and fairly springy.



THE ASSEMBLY IS COMPLETE



SINGLE PLAYER AND STORING YOUR TABLE

The tennis table can be used with one half in the vertical position, as shown in the picture below to allow one-person practice. Follow the instructions below for setting up the single player mode and for storage guidelines.



To store the table, fold up both halves of the table. Make sure the table is on an even and stable surface.

Whenever the table is in use or stored in a vertical position, ensure that the wheels are locked as shown in the picture. The height of the wheels can be adjusted if needed, by screwing and un-screwing the wheel sections.

WARNING		IMPORTANT	
	DO NOT LET CHILDREN PLAY ON OR NEAR THE TABLE WHEN THE TABLE IS IN THE STORAGE POSITION.		BE VERY CAREFUL WHEN MOVING THE TABLE ON A SLOPED SURFACE.

WARNING

Do not let children fold or unfold this table by themselves. Folding and unfolding the table should be done by adults only. Please ensure that you take great care when unfolding the table. Never let the table drop to the ground unsupported. Hold the table securely at all times and lower it to the ground slowly. Do not let go of the table until it has reached the ground safely and be aware of your surroundings.

CARE AND MAINTENANCE

CLEANING

Use a soft damp (not wet) cloth only. DO NOT USE ANY CHEMICALS AND ABRASIVE OR CLEANING PRODUCTS on the playing surface.

MAINTENANCE

All moving parts must be oiled including the pivot points. This will ensure ease of use and safety of your table.

This table must be stored indoors to avoid damage to the surface. Moisture and changes in temperature can cause the wood to warp, swell or blister.

TERMS AND CONDITIONS OF WARRANTY, WARRANTY CLAIMS

General Conditions of Warranty and Definition of Terms

All Warranty Conditions stated hereunder determine Warranty Coverage and Warranty Claim Procedure. Conditions of Warranty and Warranty Claims are governed by Act No. 40/1964 Coll. Civil Code, Act No. 513/1991 Coll., Commercial Code, and Act No. 634/1992 Coll., Consumer Protection Act, as amended, also in cases that are not specified by these Warranty rules.

The seller is SEVEN SPORT s.r.o. with its registered office in Borivojova Street 35/878, Prague 13000, Company Registration Number: 26847264, registered in the Trade Register at Regional Court in Prague, Section C, Insert No. 116888.

According to valid legal regulations it depends whether the Buyer is the End Customer or not.

“The Buyer who is the End Customer” or simply the “End Customer” is the legal entity that does not conclude and execute the Contract in order to run or promote his own trade or business activities.

“The Buyer who is not the End Customer” is a Businessman that buys Goods or uses services for the purpose of using the Goods or services for his own business activities. The Buyer conforms to the General Purchase Agreement and business conditions to the extent specified in the Commercial Code.

These Conditions of Warranty and Warranty Claims are an integral part of every Purchase Agreement made between the Seller and the Buyer. All Warranty Conditions are valid and binding, unless otherwise specified in the Purchase Agreement, in the Amendment to this Contract or in another written agreement.

Warranty Conditions

Warranty Period

The Seller provides the Buyer a 24 months Warranty for Goods Quality, unless otherwise specified in the Certificate of Warranty, Invoice, Bill of Delivery or other documents related to the Goods. The legal warranty period provided to the Consumer is not affected.

By the Warranty for Goods Quality, the Seller guarantees that the delivered Goods shall be, for a certain period of time, suitable for regular or contracted use, and that the Goods shall maintain its regular or contracted features.

The Warranty does not cover defects resulting from (if applicable):

- User's fault, i.e. product damage caused by unqualified repair work, improper assembly, insufficient insertion of seat post into frame, insufficient tightening of pedals and cranks
- Improper maintenance
- Mechanical damages
- Regular use (e.g. wearing out of rubber and plastic parts, moving mechanisms, joints etc.)
- Unavoidable event, natural disaster
- Adjustments made by unqualified person
- Improper maintenance, improper placement, damages caused by low or high temperature, water, inappropriate pressure, shocks, intentional changes in design or construction etc.

Warranty Claim Procedure

The Buyer is obliged to check the Goods delivered by the Seller immediately after taking the responsibility for the Goods and its damages, i.e. immediately after its delivery. The Buyer must check the Goods so that he discovers all the defects that can be discovered by such check.

When making a Warranty Claim the Buyer is obliged, on request of the Seller, to prove the purchase and validity of the claim by the Invoice or Bill of Delivery that includes the product's serial number, or

eventually by the documents without the serial number. If the Buyer does not prove the validity of the Warranty Claim by these documents, the Seller has the right to reject the Warranty Claim.

If the Buyer gives notice of a defect that is not covered by the Warranty (e.g. in the case that the Warranty Conditions were not fulfilled or in the case of reporting the defect by mistake etc.), the Seller is eligible to require a compensation for all the costs arising from the repair. The cost shall be calculated according to the valid price list of services and transport costs.

If the Seller finds out (by testing) that the product is not damaged, the Warranty Claim is not accepted. The Seller reserves the right to claim a compensation for costs arising from the false Warranty Claim.

In case the Buyer makes a claim about the Goods that is legally covered by the Warranty provided by the Seller, the Seller shall fix the reported defects by means of repair or by the exchange of the damaged part or product for a new one. Based on the agreement of the Buyer, the Seller has the right to exchange the defected Goods for a fully compatible Goods of the same or better technical characteristics. The Seller is entitled to choose the form of the Warranty Claim Procedures described in this paragraph.

The Seller shall settle the Warranty Claim within 30 days after the delivery of the defective Goods, unless a longer period has been agreed upon. The day when the repaired or exchanged Goods is handed over to the Buyer is considered to be the day of the Warranty Claim settlement. When the Seller is not able to settle the Warranty Claim within the agreed period due to the specific nature of the Goods defect, he and the Buyer shall make an agreement about an alternative solution. In case such agreement is not made, the Seller is obliged to provide the Buyer with a financial compensation in the form of a refund.



SEVEN SPORT s.r.o.

Registered Office:	Borivojova 35/878, 130 00 Praha 3, Czech Republic
Headquarters:	Delnicka 957, 749 01 Vitkov, Czech Republic
Warranty & Service Centre:	Cermenska 486, 749 01 Vitkov, Czech Republic
CRN:	26847264
VAT ID:	CZ26847264
Phone:	+420 556 300 970
E-mail:	eshop@insportline.cz reklamace@insportline.cz servis@insportline.cz
Web:	www.insportline.cz

SK

INSPORTLIN s.r.o.

Headquarters, Warranty & Service centre:	Elektricna 6471, 911 01 Trencin, Slovakia
CRN:	36311723
VAT ID:	SK2020177082
Phone:	+421(0)326 526 701
E-mail:	objednavky@insportline.sk reklamacie@insportline.sk servis@insportline.sk
Web:	www.insportline.sk

Date of Sale:

Stamp and Signature of Seller: