



**USER MANUAL – EN**

**IN 26451 Outdoor camera 3 in 1 inSPORTline ActionCam Pro**



# CONTENTS

SAFETY INSTRUCTIONS..... 3  
PARAMETERS ..... 3  
PRODUCT DESCRIPTION ..... 4  
ASSEMBLY ..... 4  
USE ..... 5  
ENVIRONMENT PROTECTION ..... 6  
TERMS AND CONDITIONS OF WARRANTY, WARRANTY CLAIMS..... 6

SevenSport s.r.o. reserves the right to make any changes and improvements to its product without prior notice. Visit our website [www.insportline.eu](http://www.insportline.eu) where you will find the latest version of the manual.

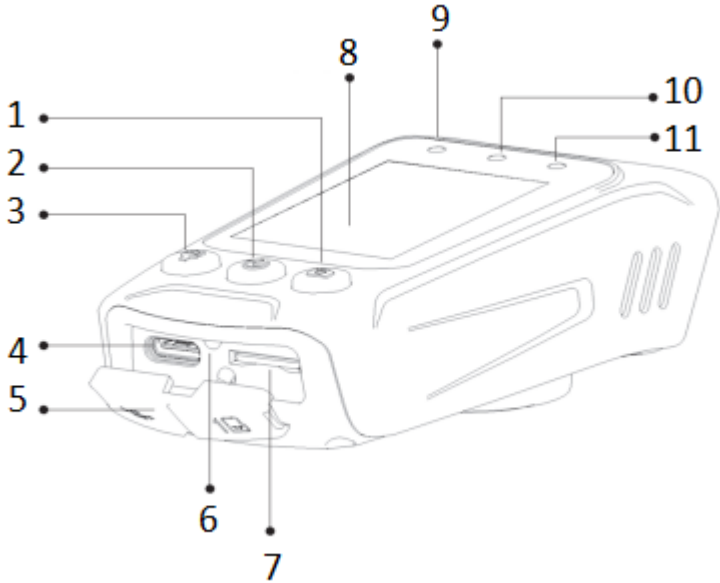
## SAFETY INSTRUCTIONS

- Please read the manual before use and keep it for future reference.
- Do not place near magnets, motors or other strong magnetic objects. Keep away from objects emitting strong magnetic fields, radio waves, etc. They may cause damage to sound and image.
- We recommend a quality Micro SD memory card.
- Do not store the Micro SD card in areas with a strong magnetic field.
- Do not look directly into the light.
- Keep out of reach of children.
- Do not place in water or under running water.
- Do not repair or modify yourself.
- While riding, wear personal protective equipment (helmet, protectors, etc.) and a reflective vest.
- If you practice extreme sports, always inform your family or loved ones of your location.
- Do not dispose of the battery in mixed waste.

## PARAMETERS

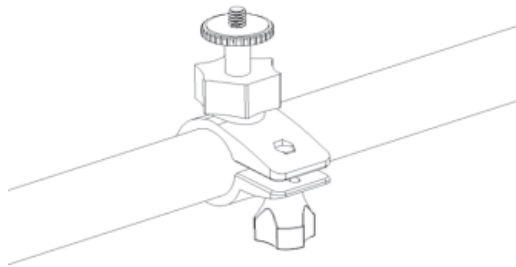
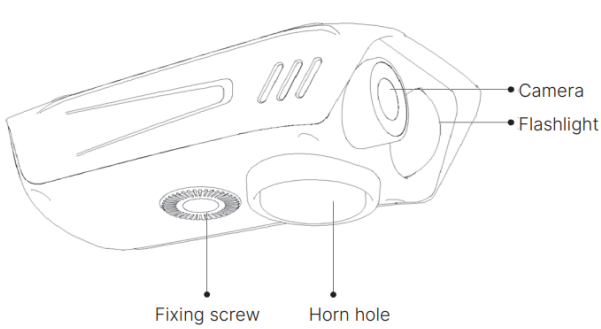
Pixels: 20 million	Video resolution: 4k 60fps / 4k 30fps EIS
Maximum brightness: Max. 600 lm	Connection type: USB type C
Speaker Volume: 100dB	Battery: Built-in 2500 mAh
Water resistance: IPX5	Weight: 109g
Dimension: 105x54x37 mm	Memory Stick: Micro SD, max. 128 GB
Light Modes: Strong light, weak light, SOS flashing	

# PRODUCT DESCRIPTION

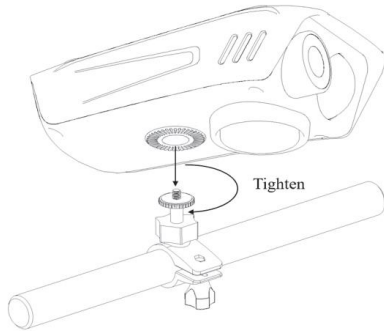
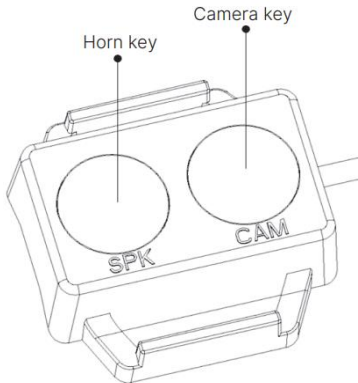


1. Camera	7. Micro SD card slot
2. Power supply	8. Display
3. Light	9. Battery status
4. USB Type C	10. Battery status
5. Rubber cover	11. Recording indicator
6. Reset button	

# ASSEMBLY

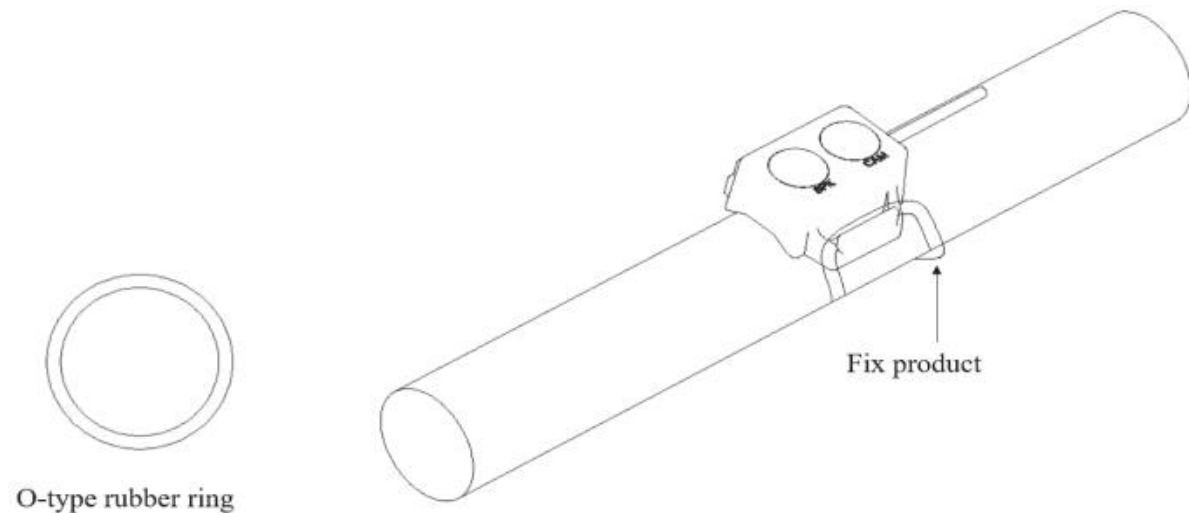


Attach the holder to the handles



Tighten clockwise

Secure the camera and horn control buttons with a rubber ring.



## USE

### Insert the Micro SD card

If the Micro SD card is not inserted or its memory is full before startup, the battery and camera status indicators will flash simultaneously.

Note: We recommend using high-quality, high-speed memory cards.

### Turn on

To turn on/off, press and hold the power button for 3 seconds.

### Camera

After starting the camera, it will automatically switch to photo viewing, hold the camera button to record. The camera indicator will start flashing. Press the camera button to stop recording.

Press the camera button to take a photo.

Note:

The camera buttons are the same on the controller as on the camera device.

Photos cannot be taken while recording.

### Playback and preview of files

After booting, hold down the light button to enter the file browsing and playback interface. Enter the video playback interface, to view photos, hold the button again.

To select a file, press the camera button, to select another file, press the power button.

### WiFi connection

In the video or photo interface, press the power button to start the internal WiFi camera and scan the QR code to download the app on the smart device.



The WiFi name and password will appear at the top of the camera display. Directly in the application, select "manual connection" and from the menu of WiFi networks select a network with the same name that is shown on the camera display, fill in the password.

You can make more detailed camera settings in the app. The time is updated automatically according to the time on the paired device.

Press the power button to exit the WiFi interface.

### **Connection via USB**

Connect your device to your computer via USB. You will have a choice of 3 options: MSDC (connection via USB to transfer files), PCCAM (using the device as a webcam, the camera will appear as a new device in the PC operating system settings), Charging (battery charging). Use the power button to switch options, confirm with the camera button.

### **Light**

You can start the light by pressing the button. There are 4 modes to choose from: strong light, weak light, SOS flashing, off. You switch modes by pressing the light button.

### **Horn**

Press the horn button. By holding the button for 8 seconds, you can change the sound of the horn. There are 5 options to choose from.

The horn can only be used via the remote control.

### **Battery charging**

Recharge the battery using a power bank or adapter.

- During charging, the power LED lights up constantly. Once the battery is charged, it will stop lighting.
- If the battery level is below 20% capacity, the indicator will start flashing.
- Can be used while charging.

### **USB rubber cover**

The USB cover is divided into its parts, during operation, keep the Micro SD card covered.

## **ENVIRONMENT PROTECTION**

After the product lifespan expired or if the possible repairing is uneconomic, dispose it according to the local laws and environmentally friendly in the nearest scrapyard.

By proper disposal you will protect the environment and natural sources. Moreover, you can help protect human health. If you are not sure in correct disposing, ask local authorities to avoid law violation or sanctions.

Don't put the batteries among house waste but hand them in to the recycling place.

## **TERMS AND CONDITIONS OF WARRANTY, WARRANTY CLAIMS**

### **General Conditions of Warranty and Definition of Terms**

All Warranty Conditions stated here under determine Warranty Coverage and Warranty Claim Procedure. Conditions of Warranty and Warranty Claims are governed by Act No. 89/2012 Coll. Civil Code, and Act No. 634/1992 Coll., Consumer Protection, as amended, also in cases that are not specified by these Warranty rules.

The seller is SEVEN SPORT s.r.o. with its registered office in Strakonická street 1151/2c, Prague 150 00, Company Registration Number: 26847264, registered in the Trade Register at Regional Court in Prague, Section C, Insert No. 116888.

According to valid legal regulations it depends whether the Buyer is the End Customer or not.

“The Buyer who is the End Customer” or simply the “End Customer” is the legal entity that does not conclude and execute the Contract in order to run or promote his own trade or business activities.

“The Buyer who is not the End Customer” is a Businessman that buys Goods or uses services for the purpose of using the Goods or services for his own business activities. The Buyer conforms to the General Purchase Agreement and business conditions.

These Conditions of Warranty and Warranty Claims are an integral part of every Purchase Agreement made between the Seller and the Buyer. All Warranty Conditions are valid and binding, unless otherwise specified in the Purchase Agreement, in the Amendment to this Contract or in another written agreement.

### **Warranty Conditions**

#### **Warranty Period**

The Seller provides the Buyer a 24 months Warranty for Goods Quality, unless otherwise specified in the Certificate of Warranty, Invoice, Bill of Delivery or other documents related to the Goods. The legal warranty period provided to the Consumer is not affected.

By the Warranty for Goods Quality, the Seller guarantees that the delivered Goods shall be, for a certain period of time, suitable for regular or contracted use, and that the Goods shall maintain its regular or contracted features.

#### **Batteries**

6-month battery warranty – we guarantee that battery's nominal capacity does not fall below 70% of its total capacity within 6 months of the product's sale.

#### **The Warranty does not cover defects resulting from (if applicable):**

- User's fault, i.e. product damage caused by unqualified repair work, improper assembly, insufficient insertion of seat post into frame, insufficient tightening of pedals and cranks
- Improper maintenance
- Mechanical damages
- Regular use (e.g. wearing out of rubber and plastic parts, moving mechanisms, joints, wear of brake pads/blocks, chain, tires, cassette/multi wheel etc.)
- Unavoidable event, natural disaster
- Adjustments made by unqualified person
- Improper maintenance, improper placement, damages caused by low or high temperature, water, inappropriate pressure, shocks, intentional changes in design or construction etc.

### **Warranty Claim Procedure**

The Buyer is obliged to check the Goods delivered by the Seller immediately after taking the responsibility for the Goods and its damages, i.e. immediately after its delivery. The Buyer must check the Goods so that he discovers all the defects that can be discovered by such check.

When making a Warranty Claim the Buyer is obliged, on request of the Seller, to prove the purchase and validity of the claim by the Invoice or Bill of Delivery that includes the product's serial number, or eventually by the documents without the serial number. If the Buyer does not prove the validity of the Warranty Claim by these documents, the Seller has the right to reject the Warranty Claim.

If the Buyer gives notice of a defect that is not covered by the Warranty (e.g. in the case that the Warranty Conditions were not fulfilled or in the case of reporting the defect by mistake etc.), the Seller is eligible to require a compensation for all the costs arising from the repair. The cost shall be calculated according to the valid price list of services and transport costs.

If the Seller finds out (by testing) that the product is not damaged, the Warranty Claim is not accepted. The Seller reserves the right to claim a compensation for costs arising from the false Warranty Claim.

In case the Buyer makes a claim about the Goods that is legally covered by the Warranty provided by the Seller, the Seller shall fix the reported defects by means of repair or by the exchange of the damaged part or product for a new one. Based on the agreement of the Buyer, the Seller has the right to exchange the defected Goods for a fully compatible Goods of the same or better technical characteristics. The Seller is entitled to choose the form of the Warranty Claim Procedures described in this paragraph.

The Seller shall settle the Warranty Claim within 30 days after the delivery of the defective Goods, unless a longer period has been agreed upon. The day when the repaired or exchanged Goods is handed over to the Buyer is considered to be the day of the Warranty Claim settlement. When the Seller is not able to settle the Warranty Claim within the agreed period due to the specific nature of the Goods defect, he and the Buyer shall make an agreement about an alternative solution. In case such agreement is not made, the Seller is obliged to provide the Buyer with a financial compensation in the form of a refund.

**CZ**

**SEVEN SPORT s.r.o.**

Registered Office: Strakonická 1151/2c, Praha 5, 150 00, ČR  
Headquarters: Dělnická 957, Vítkov, 749 01  
Warranty & Service: Čermenská 486, Vítkov 749 01

CRN: 26847264  
VAT ID: CZ26847264

Phone: +420 556 300 970  
E-mail: eshop@insportline.cz  
reklamace@insportline.cz  
servis@insportline.cz

Web: www.inSPORTline.cz

**SK**

**Stores inSPORTline SK, s.r.o.**

Headquarters, warranty & service center: Električná 6471,  
Trenčín 911 01, SK

CRN: 46259317  
VAT ID: SK2023299729

Phone: +421(0) 917 700 098  
E-mail: objednavky@insportline.sk  
reklamacie@insportline.sk  
servis@insportline.sk

Web: www.inSPORTline.sk

**About shipping**

