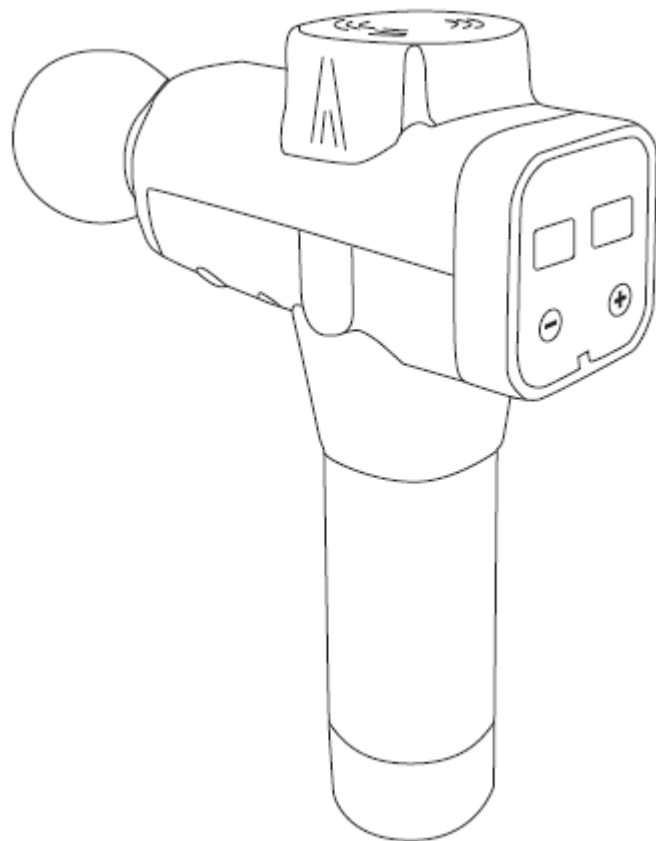




**USER MANUAL – EN**

**IN 21961 Massage gun inSPORTline Rondys**



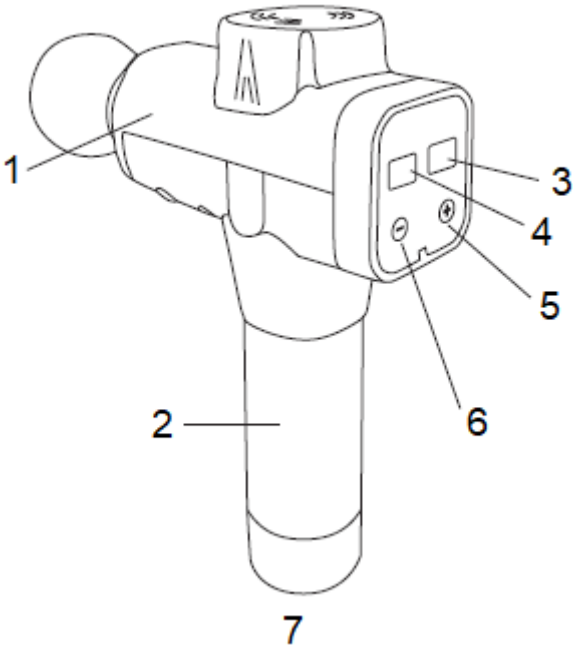
**CONTENTS**

SAFETY INSTRUCTIONS..... 3  
PRODUCT DESCRIPTION ..... 4  
USE ..... 4  
RECHARGING ..... 4  
MAINTENANCE, CLEANING AND STORAGE..... 5  
ENVIRONMENT PROTECTION ..... 5  
TERMS AND CONDITIONS OF WARRANTY, WARRANTY CLAIMS..... 5

## SAFETY INSTRUCTIONS

- Read the manual before first use and keep it for future reference.
- Do not immerse in water. Keep away from water and heat sources.
- Ventilation must always be clear.
- The device cannot be in continuous operation for more than 1 hour. It is recommended to let the device cool after 30 minutes of operation.
- Disconnect the charger after charging.
- Only for adults.
- Do not use on injured or sensitive skin.
- Consult with your physician before use.
- Use only on dry skin and over light clothing.
- Use only for 60 seconds on each part of the body.
- Use only on soft body parts, do not use on bones or hard body parts.
- The massage must be painless and comfortable.
- Use the massage head that best serves the purpose.
- There may be bruises during use, check the massaged area frequently.
- Stop the massage immediately if you feel pain.
- Keep fingers, hair and other body parts away from the back of the device.
- Do not insert any objects into the holes.
- Avoid shaking and impacting of the gun.
- Check the condition of the product before and after use.
- Do not modify the product.
- Never leave the device in charger or during operation unattended.
- Not suitable for people sensitive to vibration.
- Keep body parts of moving parts, there is a risk of pinch.
- Use only original charger.
- The device will automatically turn off after 10 minutes of use.
- Not suitable for people with reduced motor skills, mental or physical illness, lack of experience and knowledge. These persons may only use the appliance under the supervision of an adult responsible for their safety.
- Not suitable for: pregnant women, people suffering from diabetes, neuropathy, retinal damage, epilepsy, migraines, herniated disks, spondylolisthesis, spondylolysis; use peacemaker, have recent surgery, joint replacement, metal pins or plates. Use this device only after consultation with physician.

# PRODUCT DESCRIPTION



1.	Main body
2.	Battery and handle
3.	Battery status
4.	Display speed
5.	Speed +
6.	Speed -
7.	Turn on/off button

## USE

Securely attach the battery to the base.

Turn on the device by turning on the power switch on the bottom of the battery. Turn off the device by turning off the power switch.

When the device is turned on, press the speed + / - buttons to increase or decrease speed. Press one of the press buttons for 3 seconds to stop the device.

Turn off the battery switch to off position, the screen will turn off.

The device will turn off automatically after 10 minutes of continuous use.

## RECHARGING

Before first use the battery can charge up for up to 6 hours.

To charge, connect the charger to the charging port and plug the charger into an outlet.

The battery display shows the battery status, if the value is 20, charge the battery.

It is not recommended to let the battery fully discharge.

The duration of the operation depends on the intensity and speed of the massages.

## **MAINTENANCE, CLEANING AND STORAGE**

Use a damp cloth to clean the device and then dry the device.

To store or move, remove the battery, and store the device in a box.

## **ENVIRONMENT PROTECTION**

After the product lifespan expired or if the possible repairing is uneconomic, dispose it according to the local laws and environmentally friendly in the nearest scrapyard.

By proper disposal you will protect the environment and natural sources. Moreover, you can help protect human health. If you are not sure in correct disposing, ask local authorities to avoid law violation or sanctions.

Don't put the batteries among house waste but hand them in to the recycling place.

## **TERMS AND CONDITIONS OF WARRANTY, WARRANTY CLAIMS**

### **General Conditions of Warranty and Definition of Terms**

All Warranty Conditions stated here under determine Warranty Coverage and Warranty Claim Procedure. Conditions of Warranty and Warranty Claims are governed by Act No. 89/2012 Coll. Civil Code, and Act No. 634/1992 Coll., Consumer Protection, as amended, also in cases that are not specified by these Warranty rules.

The seller is SEVEN SPORT s.r.o. with its registered office in Strakonická street 1151/2c, Prague 150 00, Company Registration Number: 26847264, registered in the Trade Register at Regional Court in Prague, Section C, Insert No. 116888.

According to valid legal regulations it depends whether the Buyer is the End Customer or not.

“The Buyer who is the End Customer” or simply the “End Customer” is the legal entity that does not conclude and execute the Contract in order to run or promote his own trade or business activities.

“The Buyer who is not the End Customer” is a Businessman that buys Goods or uses services for the purpose of using the Goods or services for his own business activities. The Buyer conforms to the General Purchase Agreement and business conditions.

These Conditions of Warranty and Warranty Claims are an integral part of every Purchase Agreement made between the Seller and the Buyer. All Warranty Conditions are valid and binding, unless otherwise specified in the Purchase Agreement, in the Amendment to this Contract or in another written agreement.

### **Warranty Conditions**

#### **Warranty Period**

The Seller provides the Buyer a 24 months Warranty for Goods Quality, unless otherwise specified in the Certificate of Warranty, Invoice, Bill of Delivery or other documents related to the Goods. The legal warranty period provided to the Consumer is not affected.

By the Warranty for Goods Quality, the Seller guarantees that the delivered Goods shall be, for a certain period of time, suitable for regular or contracted use, and that the Goods shall maintain its regular or contracted features.

#### **The Warranty does not cover defects resulting from (if applicable):**

- User's fault, i.e. product damage caused by unqualified repair work, improper assembly, insufficient insertion of seat post into frame, insufficient tightening of pedals and cranks
- Improper maintenance
- Mechanical damages

- Regular use (e.g. wearing out of rubber and plastic parts, moving mechanisms, joints, wear of brake pads/blocks, chain, tires, cassette/multi wheel etc.)
- Unavoidable event, natural disaster
- Adjustments made by unqualified person
- Improper maintenance, improper placement, damages caused by low or high temperature, water, inappropriate pressure, shocks, intentional changes in design or construction etc.

### **Warranty Claim Procedure**

The Buyer is obliged to check the Goods delivered by the Seller immediately after taking the responsibility for the Goods and its damages, i.e. immediately after its delivery. The Buyer must check the Goods so that he discovers all the defects that can be discovered by such check.

When making a Warranty Claim the Buyer is obliged, on request of the Seller, to prove the purchase and validity of the claim by the Invoice or Bill of Delivery that includes the product's serial number, or eventually by the documents without the serial number. If the Buyer does not prove the validity of the Warranty Claim by these documents, the Seller has the right to reject the Warranty Claim.

If the Buyer gives notice of a defect that is not covered by the Warranty (e.g. in the case that the Warranty Conditions were not fulfilled or in the case of reporting the defect by mistake etc.), the Seller is eligible to require a compensation for all the costs arising from the repair. The cost shall be calculated according to the valid price list of services and transport costs.

If the Seller finds out (by testing) that the product is not damaged, the Warranty Claim is not accepted. The Seller reserves the right to claim a compensation for costs arising from the false Warranty Claim.

In case the Buyer makes a claim about the Goods that is legally covered by the Warranty provided by the Seller, the Seller shall fix the reported defects by means of repair or by the exchange of the damaged part or product for a new one. Based on the agreement of the Buyer, the Seller has the right to exchange the defected Goods for a fully compatible Goods of the same or better technical characteristics. The Seller is entitled to choose the form of the Warranty Claim Procedures described in this paragraph.

The Seller shall settle the Warranty Claim within 30 days after the delivery of the defective Goods, unless a longer period has been agreed upon. The day when the repaired or exchanged Goods is handed over to the Buyer is considered to be the day of the Warranty Claim settlement. When the Seller is not able to settle the Warranty Claim within the agreed period due to the specific nature of the Goods defect, he and the Buyer shall make an agreement about an alternative solution. In case such agreement is not made, the Seller is obliged to provide the Buyer with a financial compensation in the form of a refund.

#### **CZ SEVEN SPORT s.r.o.**

Registered Office: Strakonická 1151/2c, Praha 5, 150 00, ČR  
Headquarters: Dělnická 957, Vítkov, 749 01  
Warranty & Service: Čermenská 486, Vítkov 749 01

CRN: 26847264  
VAT ID: CZ26847264

Phone: +420 556 300 970  
E-mail: eshop@insportline.cz  
reklamace@insportline.cz  
servis@insportline.cz

Web: www.inSPORTline.cz

#### **SK inSPORTline s.r.o.**

Headquarters, warranty & service center: Električná 6471, Trenčín 911 01, SK

CRN: 36311723  
VAT ID: SK2020177082

Phone: +421(0)326 526 701  
E-mail: objednavky@insportline.sk

reklamacie@insportline.sk  
servis@insportline.sk  
www.inSPORTline.sk

Web: