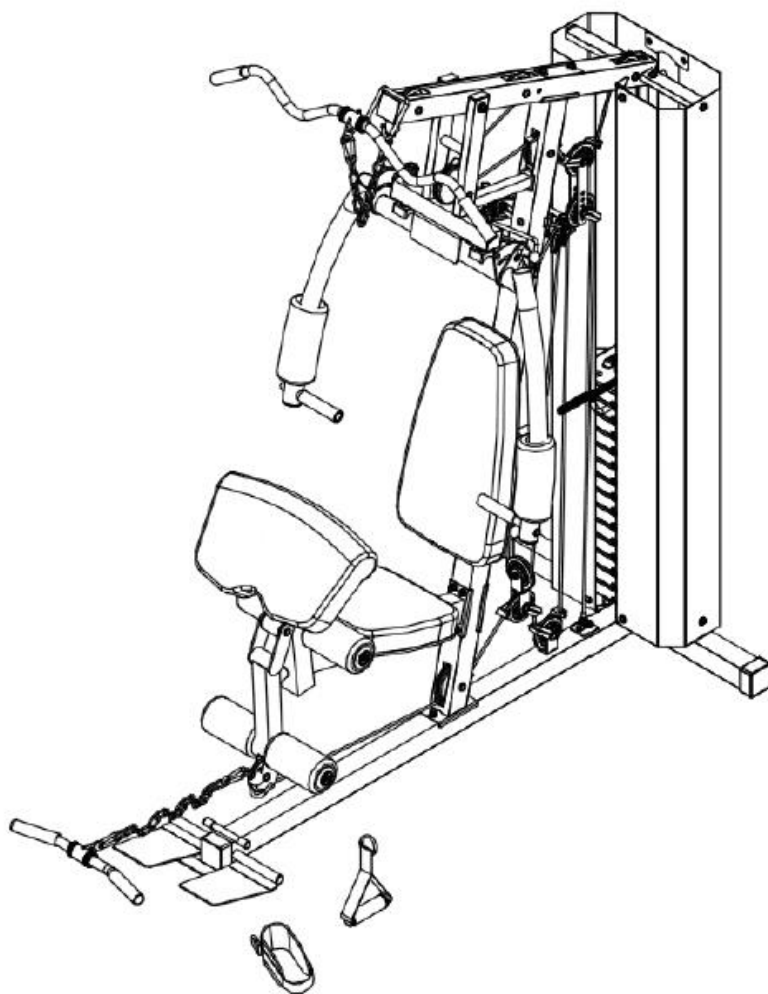




USER MANUAL – EN

IN 20805 Multigym inSPORTline Profigym C75 (HG-5002)



CONTENTS

- SAFETY INSTRUCTIONS..... 3
- PARTS LIST 4
- ASSEMBLY 11
 - STEP 1..... 11
 - STEP 2..... 12
 - STEP 3..... 13
 - STEP 4..... 15
 - STEP 5..... 16
 - STEP 6..... 17
 - STEP 7..... 18
 - STEP 8..... 19
 - STEP 9..... 23
 - STEP 10..... 25
 - STEP 11..... 26
 - STEP 12..... 29
 - STEP 13..... 31
 - STEP 14..... 32
- DIAGRAM 33
- WEIGHT PLATE INSTALLATION 34
- CABLE RESISTANCE ADJUSTMENT 34
- LOCK SET UP INSTRUCTIONS..... 35
- WEIGHT RESISTANCE CHART 36
- EXERCISE INSTRUCTIONS 36
- MAINTENANCE 37
- ENVIRONMENT PROTECTION 38
- TERMS AND CONDITIONS OF WARRANTY, WARRANTY CLAIMS..... 38

SAFETY INSTRUCTIONS

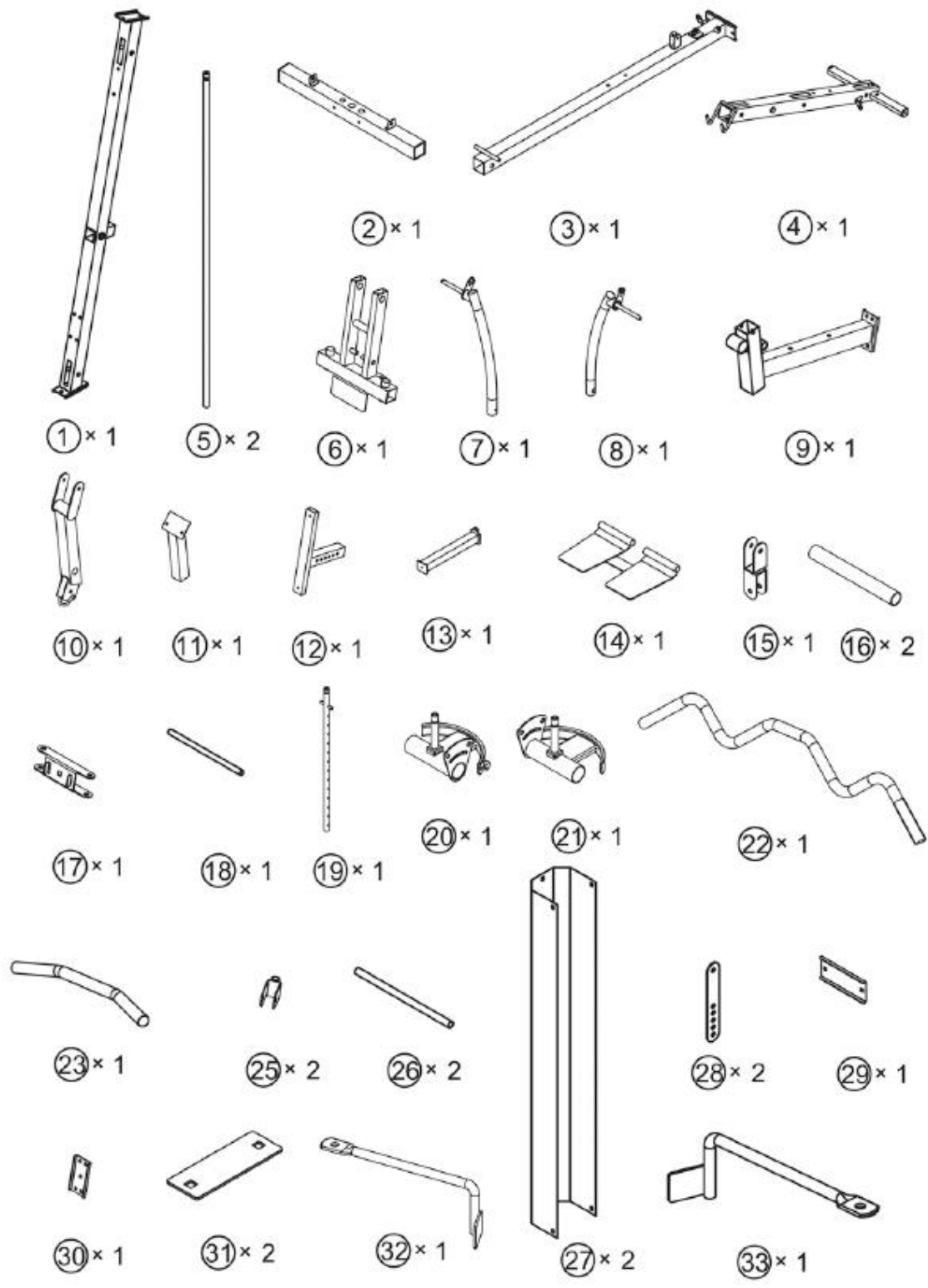
- Thank you for purchasing this product. Please read the manual carefully before starting the **assembly** and before using the product. Keep this manual for future reference. In case of doubt, contact a specialist **service**.
- Before **finishing** the **assembly**, check all parts for completeness and integrity. Use only original spare parts and accessories. Do not make unauthorized product modifications.
- Assembly can be only done by an adult. Check that the product is properly assembled and firm before use. The device must function properly to avoid injury to the user. If the device is not working properly, it shows signs of damage or wear, stop using it immediately. Damaged or worn parts must be replaced immediately.
- Ask your doctor for help before starting an exercise program.
- Keep the away from children and pets.
- Always do warm up exercise before starting your exercise program.
- Read and follow all instructions and warnings.
- Place the device on a flat, clean, dry surface. Keep a safe distance from another object's min 0.6 m.
- Do not use outdoors.
- Do not modify the device.
- Check the if all bolts and nuts are tightened before each exercise. Do not use the product if it is damaged.
- Exercise reasonably and carefully, do not overextend your exercise. The movements must not be too steep to avoid injury to the user.
- Do not hold your breath during exercise.
- Exercise properly and adequately. High loads can lead to health complications.
- Keep clothing and body parts away from moving parts to prevent injury. Take appropriate sportswear including sports shoes.
- Take care of your health and initially choose a slower pace. The same is useful after a longer exercise break. Over time, you can work towards a more intense pace.
- Improper exercise or failure to observe safety precautions may result in serious injury or equipment damage. In case of doubt or uncertainty, contact a specialist service or dealer.
- Never exceed the stated weight limits.
- Pay attention to body signals. In case of negative physical reactions, immediately stop exercising and contact your doctor.
- **Category:** H for home use
- **Weights:** 99 kg
- **Maximum user weight:** 136 kg

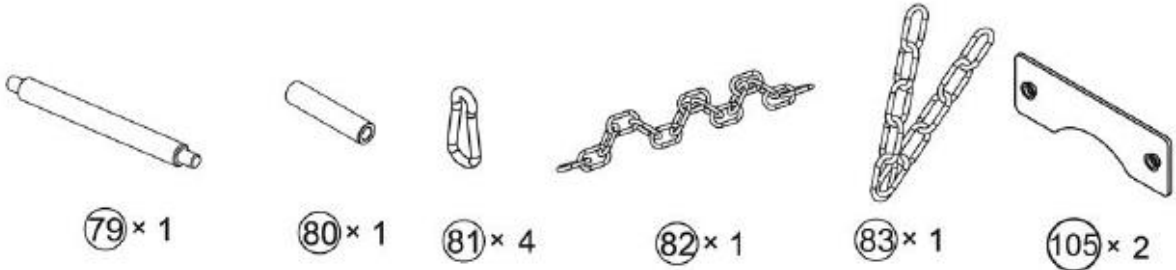
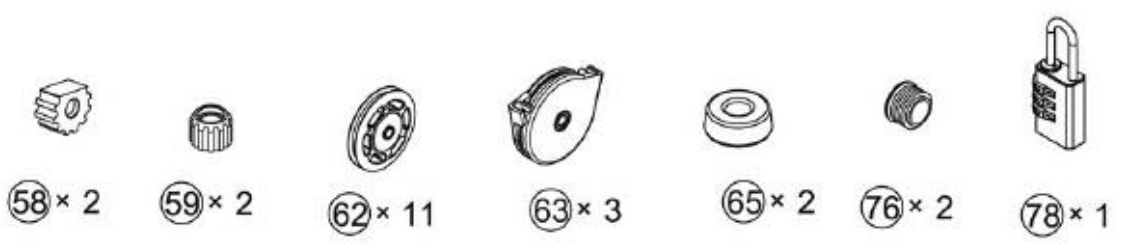
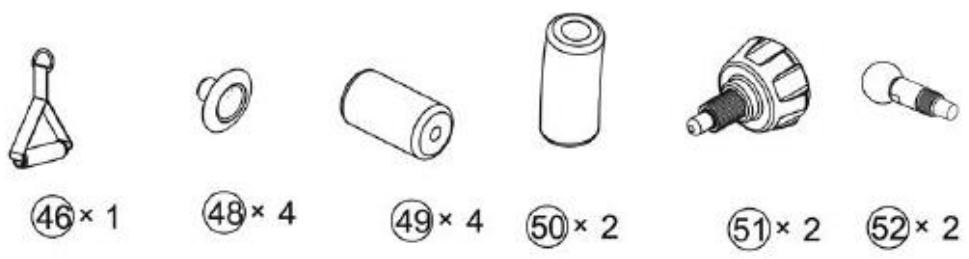
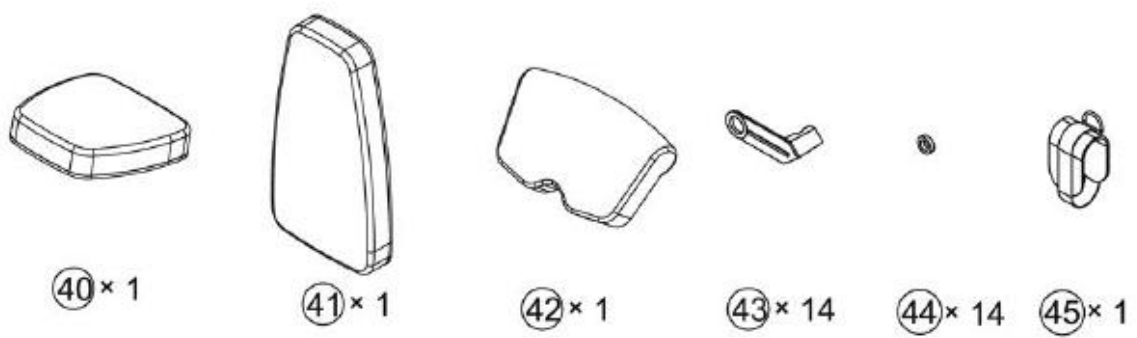
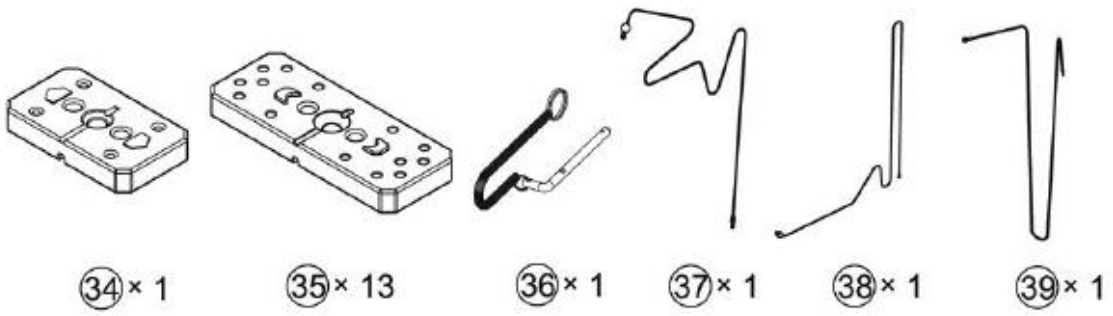
PARTS LIST

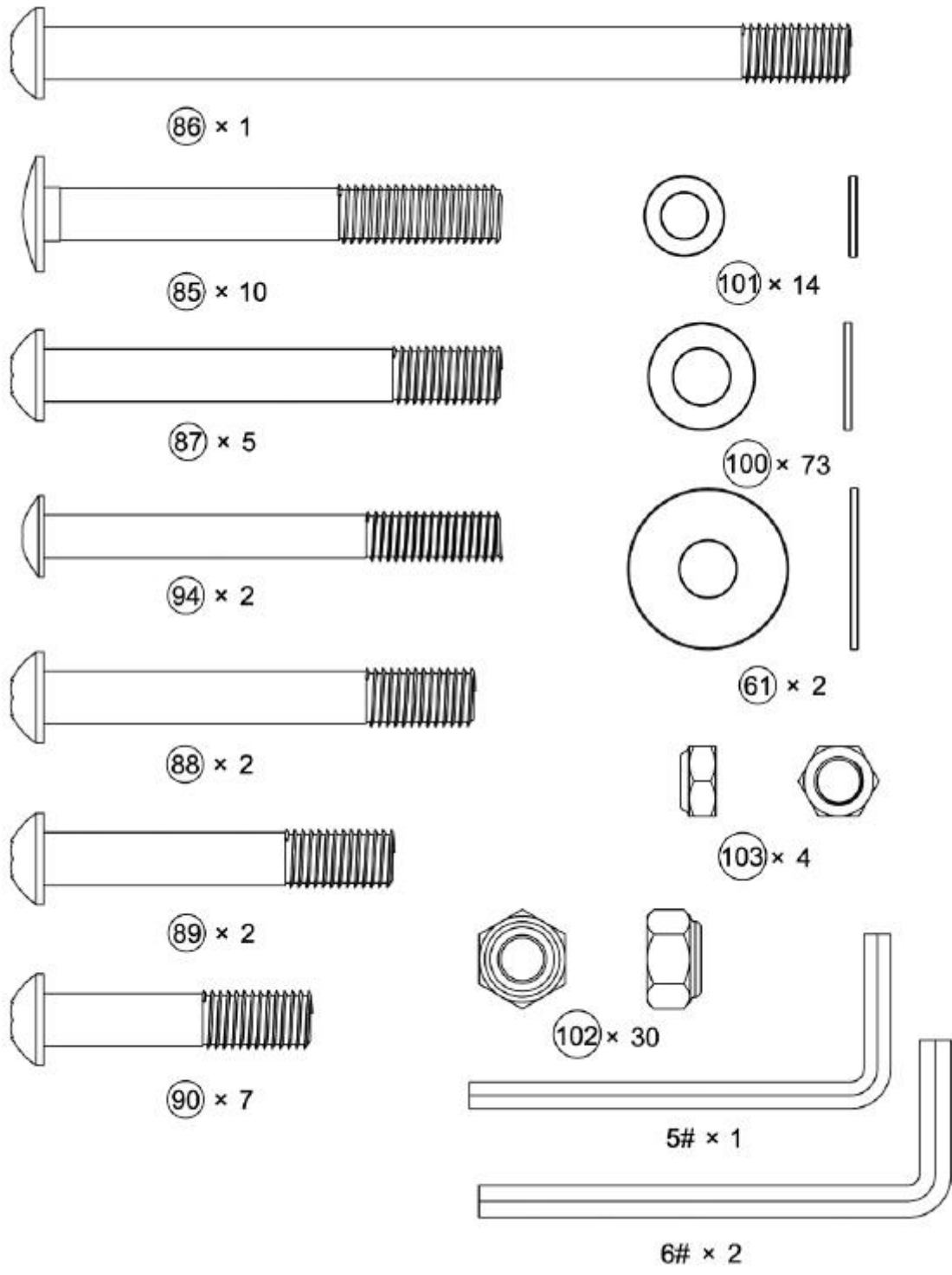
No.	Name	Specifications	Qty.
1	Front frame		1
2	Rear frame		1
3	Base		1
4	Top frame		1
5	Guide rod		2
6	Front press base		1
7	Left arm		1
8	Right arm		1
9	Seat post		1
10	Leg press		1
11	Arm curl stand		1
12	Backrest adjustment frame		1
13	Front press stopper		1
14	Foot plate		1
15	Pulley holder		1
16	Front press handle		2
17	Swivel pulley bracket frame		1
18	Foot plate tube		1
19	Selector rod		1
20	Left butterfly adjustment frame		1
21	Right butterfly adjustment frame		1
22	Lat bar		1
23	Shiver bar		1
24	Rotate ring		2
25	Swivel pulley bracket		2
26	Foam tube		2
27	Weight stack cover		2
28	Double floating pulley bracket		2
29	Plate	7 1/8" x 2 5/8"	1
30	Plate	5 1/2" x 2 5/8"	1
31	Plate	5 1/2" X 2"	2
32	Left arm		1
33	Right arm		1
34	Top weight plate		1
35	Weight		13

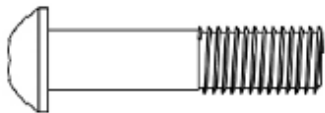
36	Weight select pin		1
37	Top cable	124"	1
38	Lower cable	160"	1
39	Arms cable	116"	1
40	Seat		1
41	Backrest		1
42	Arm curl pad		1
43	Cable holder		14
44	Spacer		14
45	Ankle strap		1
46	Handle		1
47	Plastic ring		8
48	Foam roller end cap		4
49	Foam roller		4
50	Arm foam rollers		2
51	Hand knob	M18	2
52	Quick release safety pin		2
53	Sleeve	Ø1 ¼" x ¾"	4
54	Sleeve	Ø 2" x Ø5/8"	2
55	-----	-----	---
56	Spacer	Ø2" x ¾"	2
57	Spacer	Ø2" x 1 3/8"	2
58	Spacer	Ø 1 ¼" x ½"	2
59	Safety ring		2
60	Handle	6"	6
61	Washer	Ø1 1/8"	2
62	Pulley		11
63	Pulley with cover		3
64	Rubber washer	Ø1 ½" x 5/8"	1
65	Rubber washer	Ø 2 ½" x 1"	2
66	Rubber washer	Ø1 ¾" x 1 5/8"	1
67	Bearings	Ø1" x 3/8"	6
68	Sleeve	2 3/8" x 2"	1
69	Round end cap	Ø2"	4
70	End cap	2" x 2"	2
71	End cap	2 ½" x 2 ½"	2
72	End cap	2" x 1"	4
73	Base end cap	2 ½" x 2 ½"	3

74	End cap	1 1/2" x 1 1/2"	1
75	Rubber washer	Ø1" x 1 1/8"	2
76	End cap	Ø1"	8
77	End cap	Ø1"	1
78	Numeric lock		1
79	Axle	M10 x 6 3/4"	1
80	Axle	M10 x 2 3/4"	1
81	Hook		4
82	Chain	15 links	1
83	Chain	10 links	1
84	Rivet	Ø 1/8" x 3/8"	8
85	Carriage bolt	M10 x 3 3/8"	10
86	Allen bolt	M10 x 6"	1
87	Allen bolt	M10 x 3 3/8"	5
88	Allen bolt	M10 x 3 1/8"	2
89	Allen bolt	M10 x 2 1/2"	2
90	Allen bolt	M10 x 2"	7
91	Allen bolt	M10 x 1 1/8"	1
92	Allen bolt	M10 x 3/4"	10
93	Allen bolt	M10 x 5/8"	14
94	Allen bolt	M8 x 3 3/8"	2
95	Allen bolt	M8 x 1 5/8"	2
96	Allen bolt	M8 x 7/8"	2
97	Allen bolt	M8 x 3/4"	4
98	Allen bolt	M10 x 1 3/4"	1
99	Screw	M6 x 5/8"	2
100	Washer	Ø 3/4"	73
101	Washer	Ø 5/8"	14
102	Nut	M10	30
103	Nut	M8	4
104	Cover	M10	30
105	Plate	6" x 2"	2
	Allen key	5#	1
	Allen key	6#	2





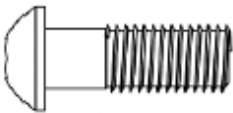




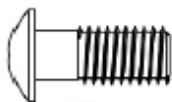
98 x 1



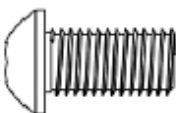
95 x 2



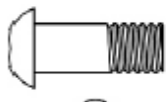
91 x 1



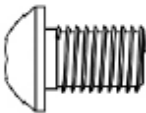
96 x 2



92 x 10



97 x 4



93 x 14



83 x 1



82 x 1



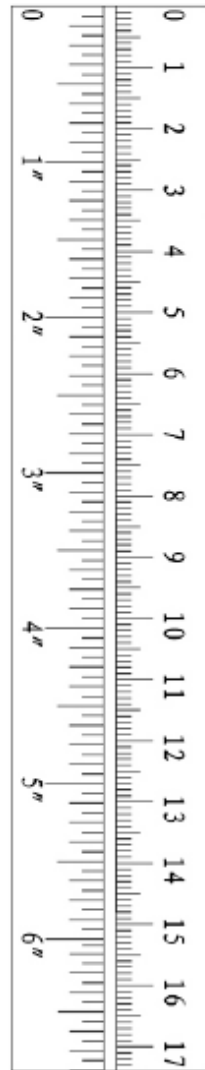
80 x 1



81 x 4



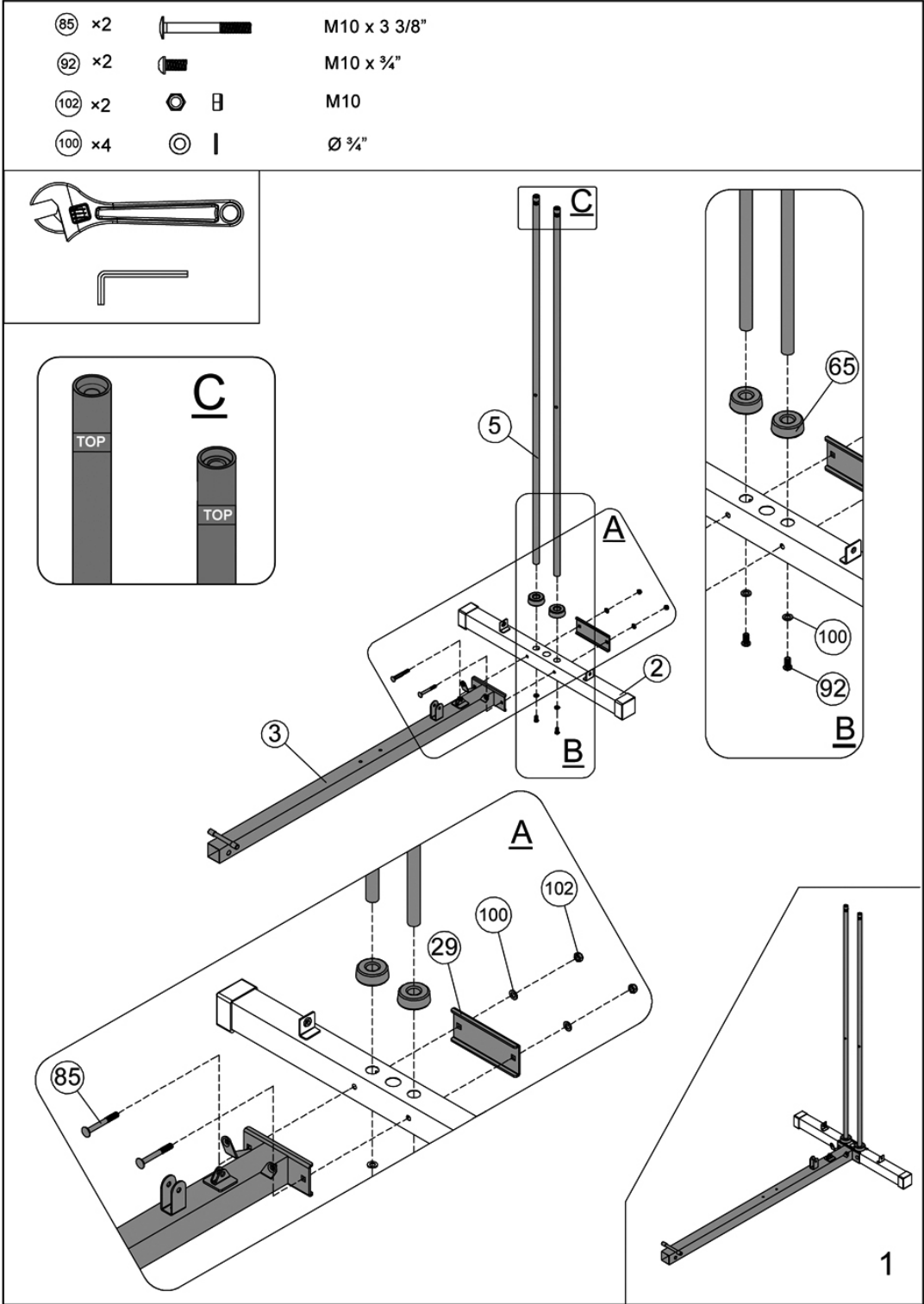
79 x 1



mm

ASSEMBLY

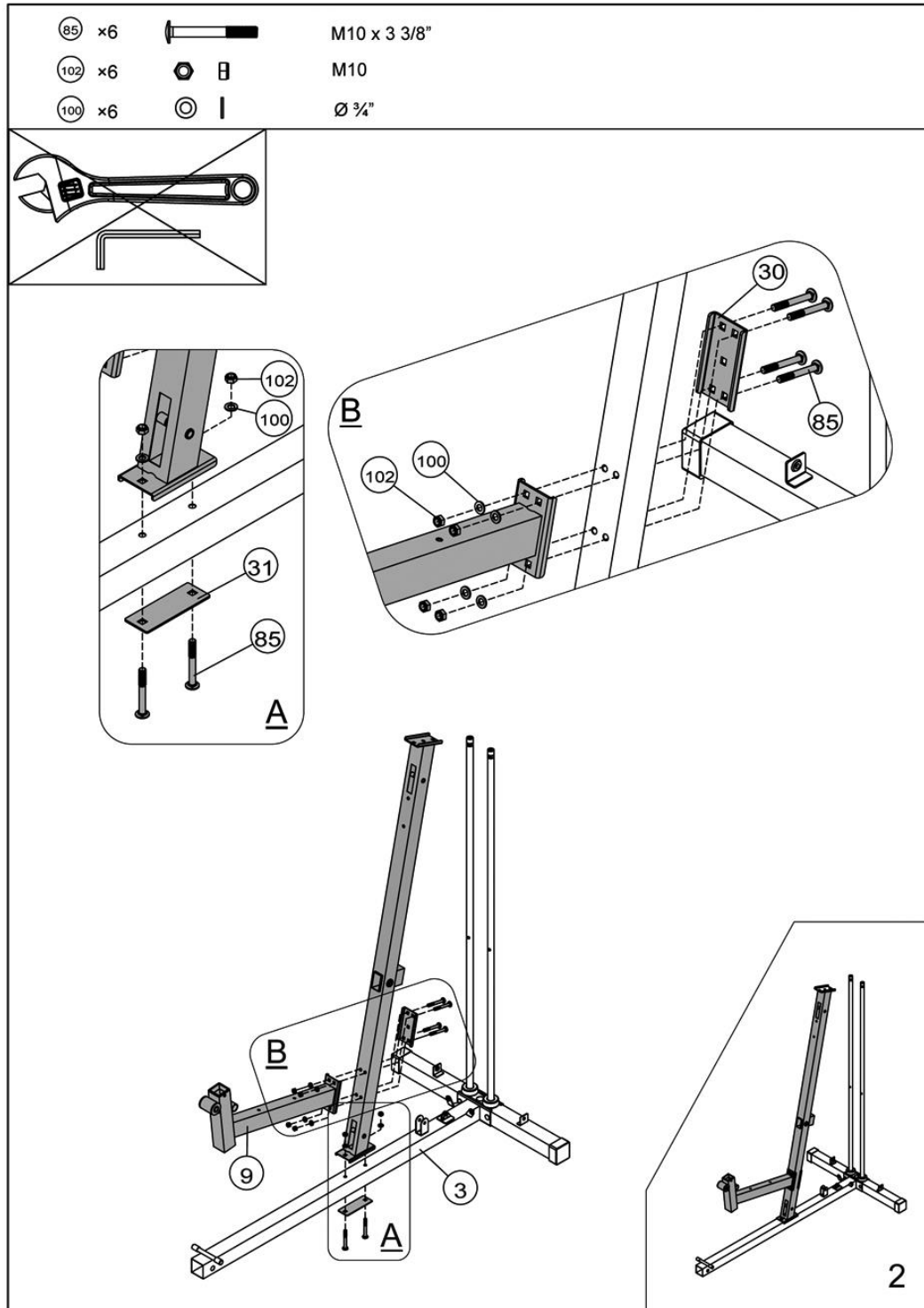
STEP 1



Connect the base (3) to the rear frame (2) with 2x bolts (85), plate (29), 2x washers (100) and 2x nuts (102).

Attach the guide rods (5) to the rear frame (2) using 2x rubber washers (65), 2x washers (100) and 2x bolts (92). Attach the guide rods as shown in Figure C (top - top side).

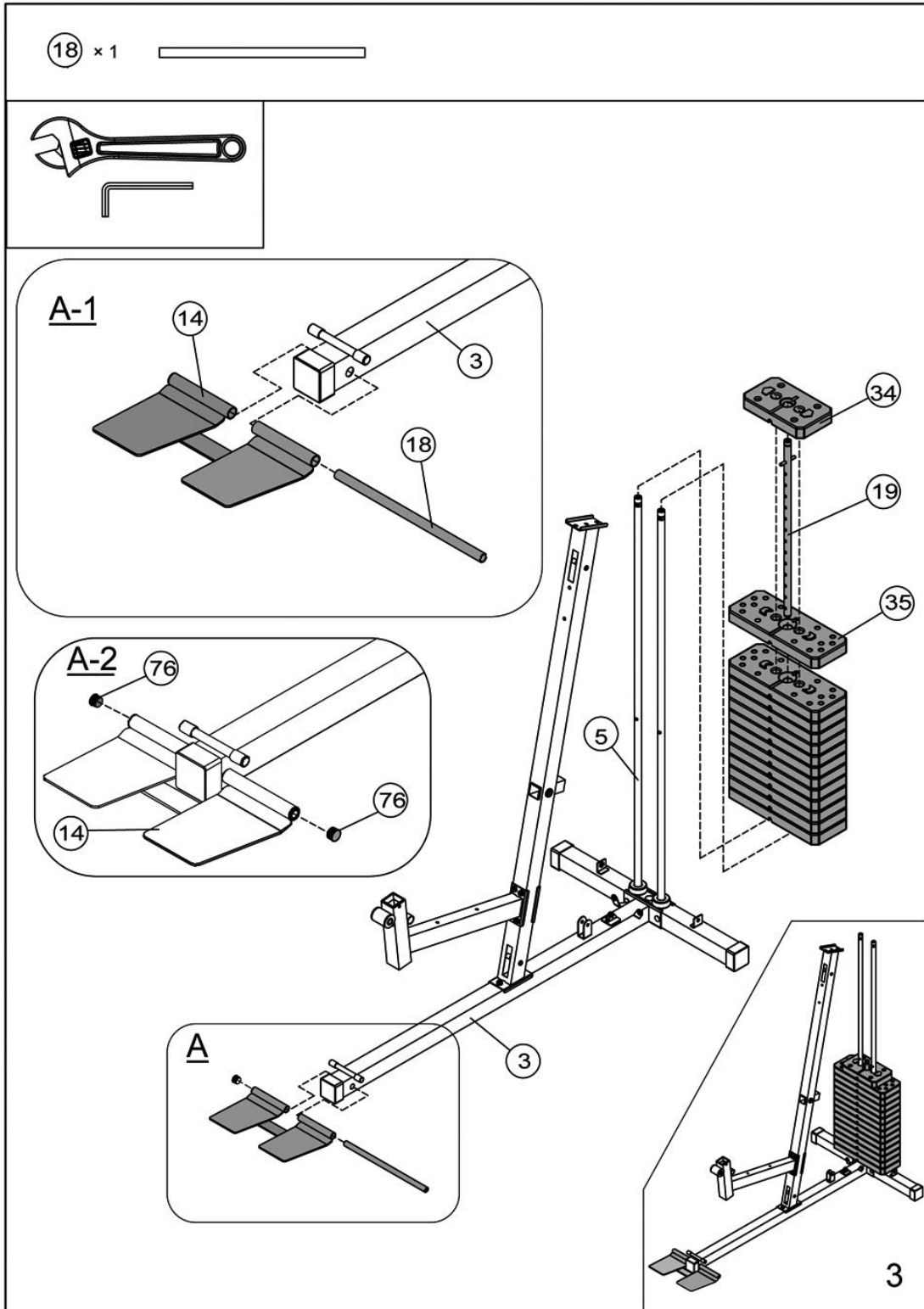
STEP 2



Attach the front frame (1) to the base (3) with 2x bolts (85), plate (31), 2x washers (100) and 2x nuts (102).

Attach the seat post (9) to the front frame (1) with 4x bolts (85), plate (30), 4x washers (100) and 4x nuts (102).

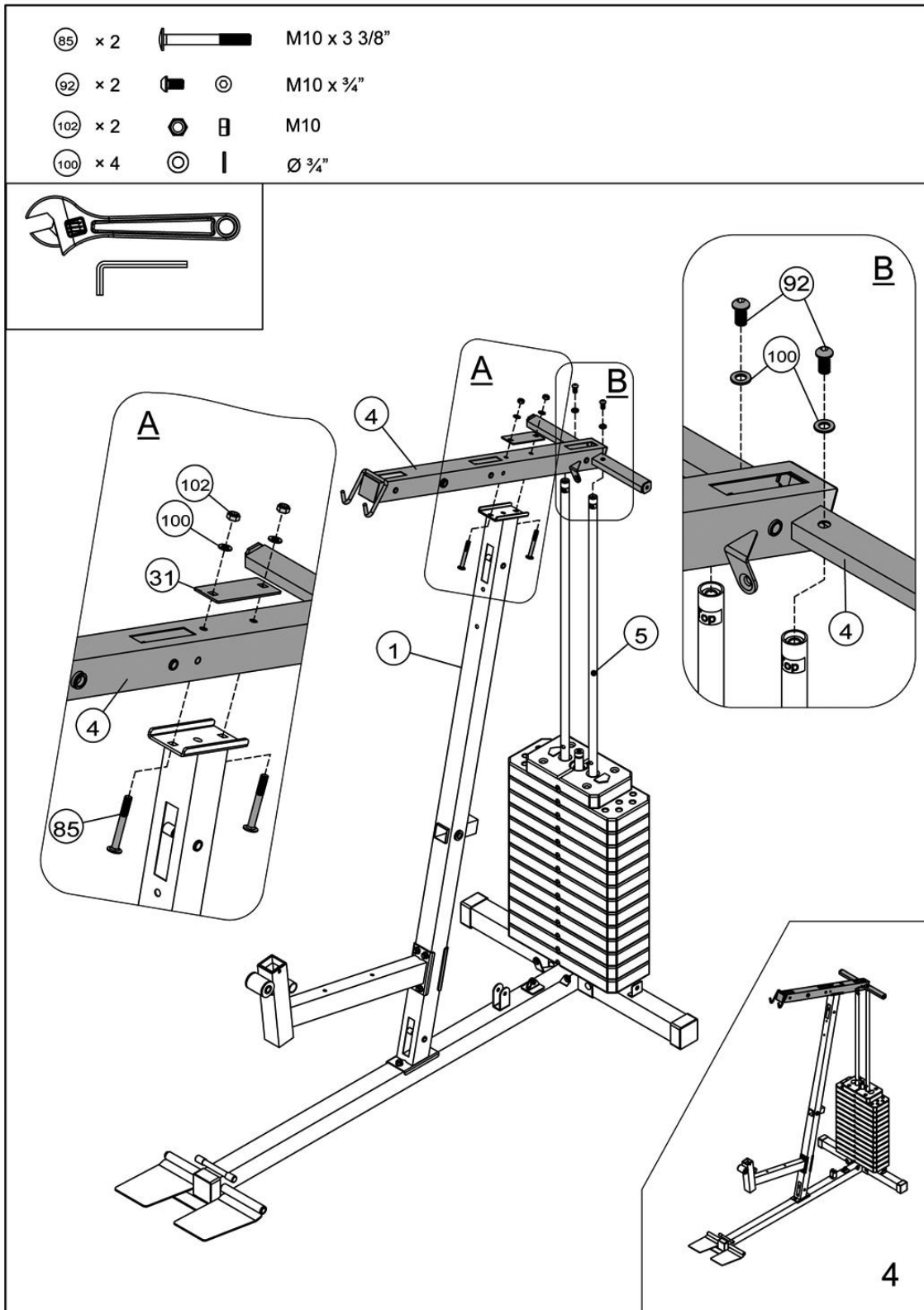
STEP 3



Attach the footrest (14) to the base (3) using the axle (18) and the 2x end caps (76).

Slide the weights (35) onto the guide bars (5), then slide the weight selection rod (19) and the top of the weight (34).

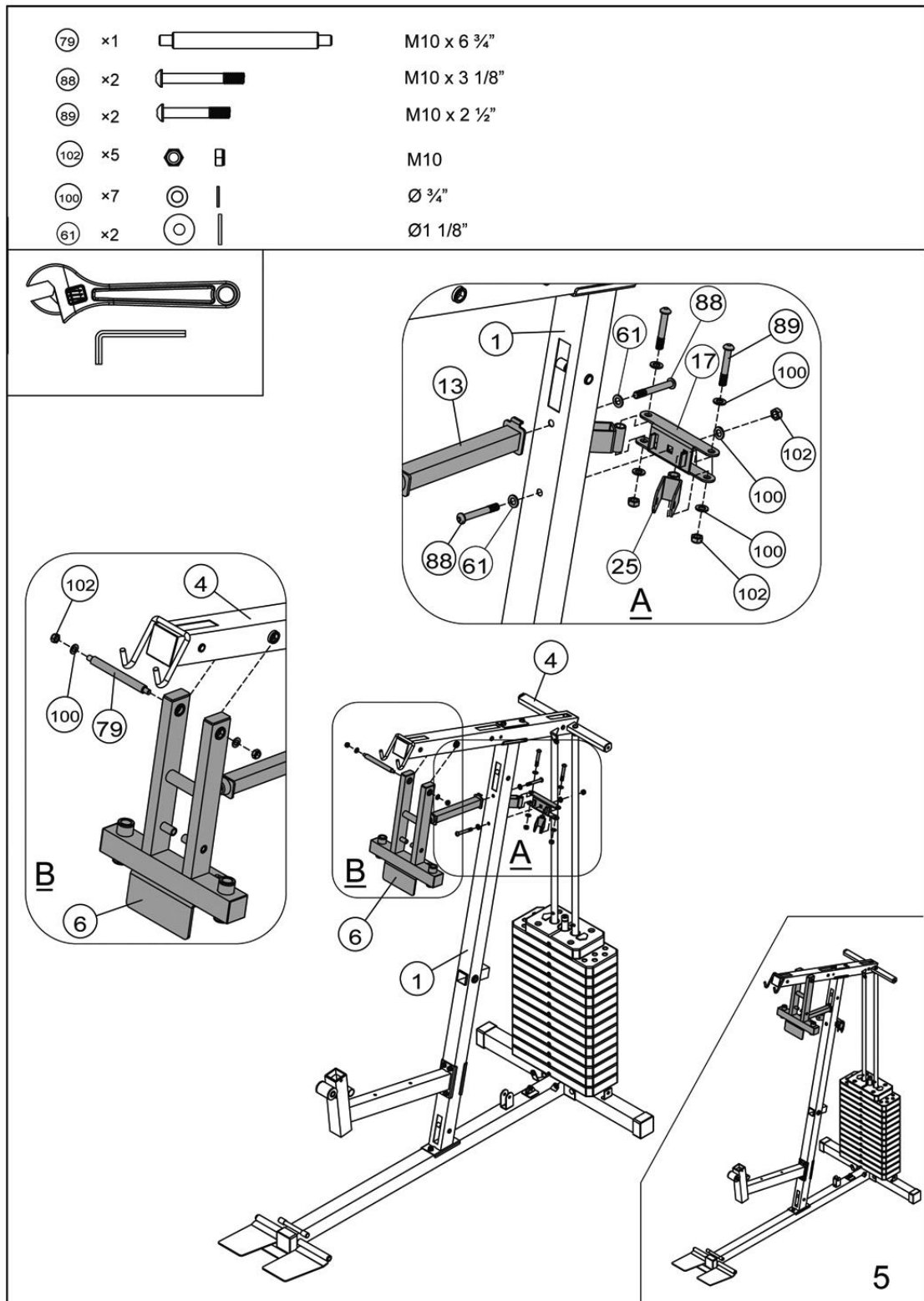
STEP 4



Attach the top frame (4) to the front frame (1) using the plate (31), 2x bolts (85), 2x washers (100) and 2x nuts (102).

Attach the top frame (4) to the guide rods (5) using 2x washers (100) and 2x bolts (92).

STEP 5

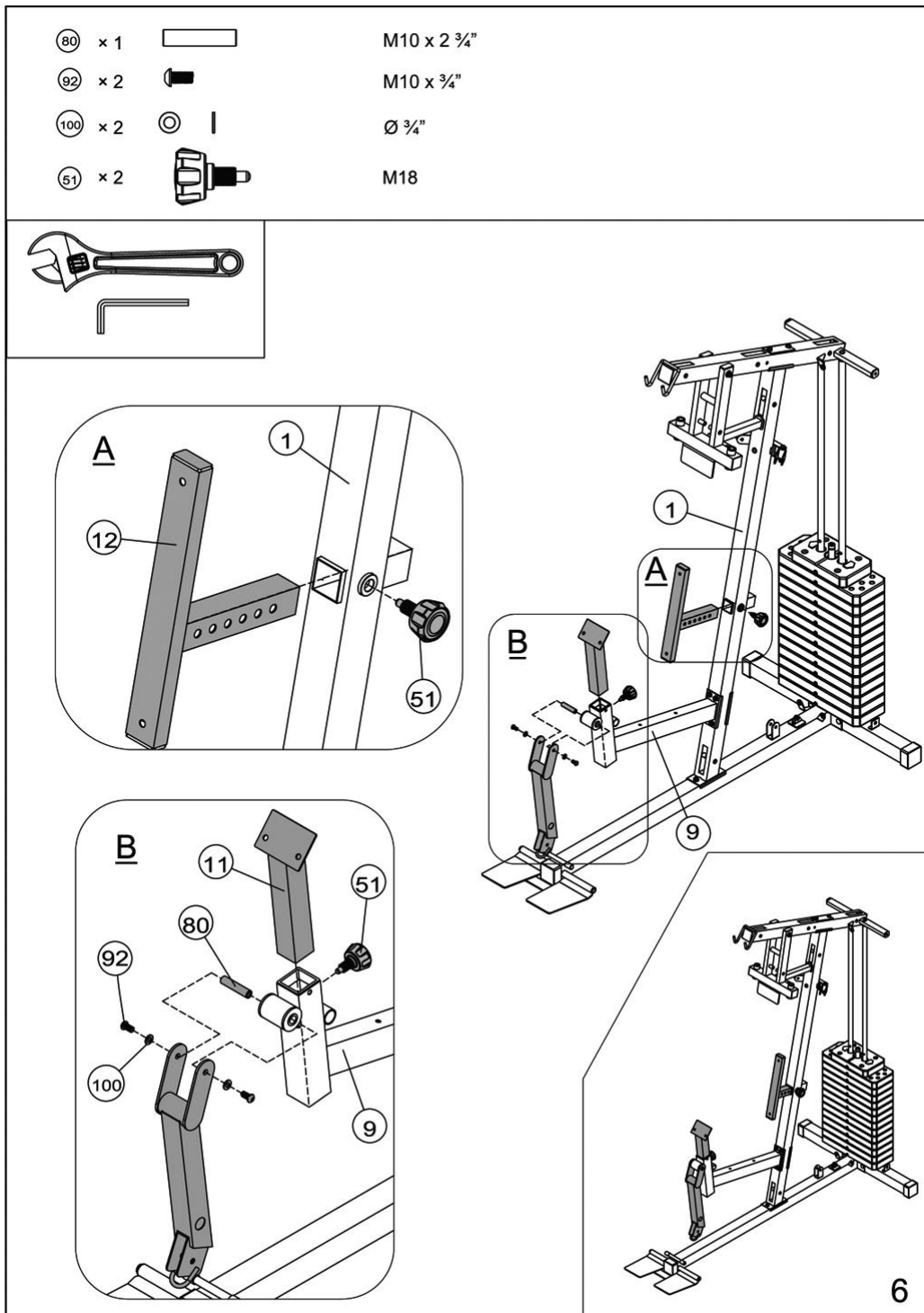


Attach the front press stopper (13) to the front frame (1) with the bolt (88) and washer (61).

Attach the 2x swivel pulley bracket (25) to the pulley bracket (17) using 2x bolts (89), 4x washers (100) and 2x nuts (102). Attach the swivel pulley bracket (17) to the front frame with a bolt (88), 2x washers (61) and a nut (102).

Attach front press base (6) to the upper frame (4) with the axle (79), 2x washers (100) and 2x nuts (102).

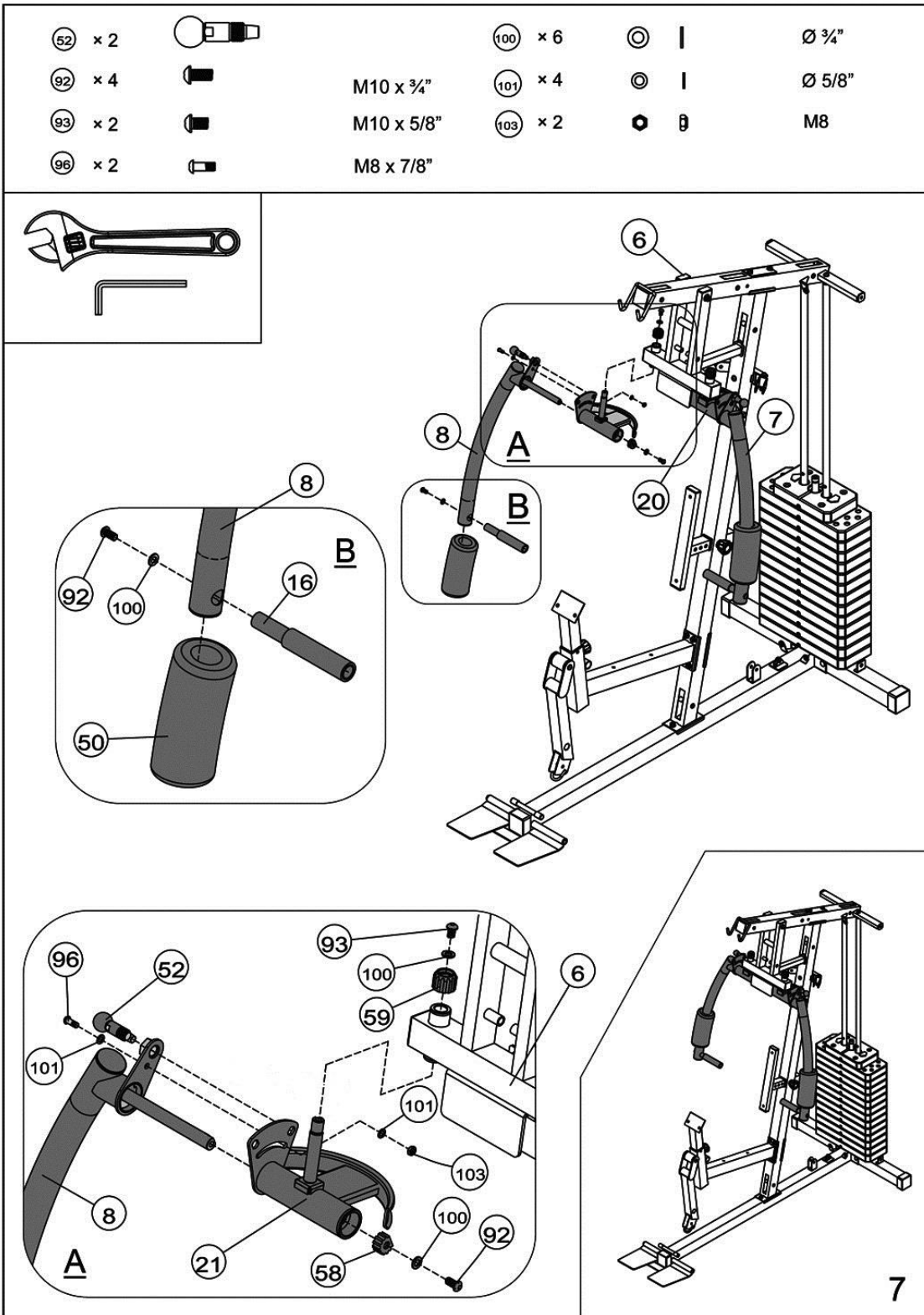
STEP 6



Attach the backrest adjustment frame (12) to the front frame (1) with the hand screw (51).

Attach the arm curl stand (11) to the seat post (9) with the hand knob (51). Attach the leg press (10) with the axis (80), 2x bolts (92) and 2x washers (100).

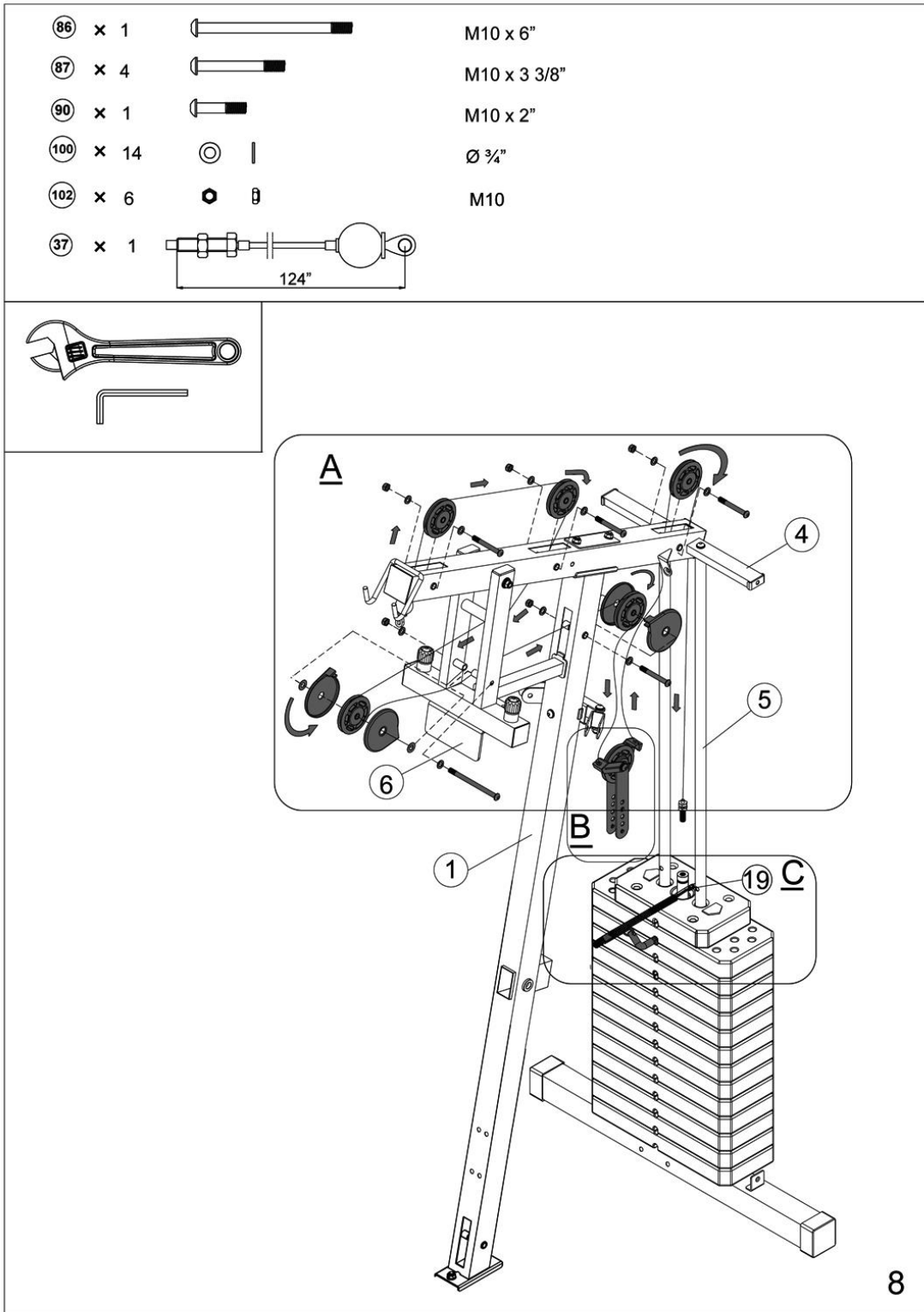
STEP 7

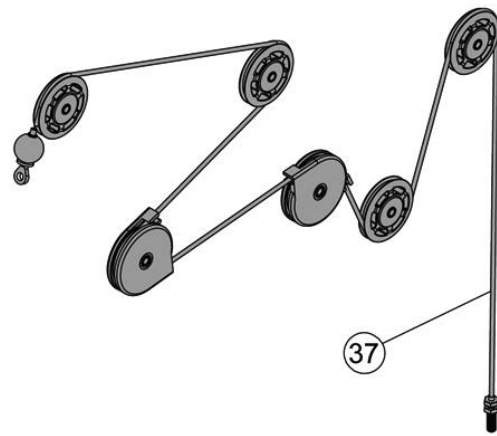
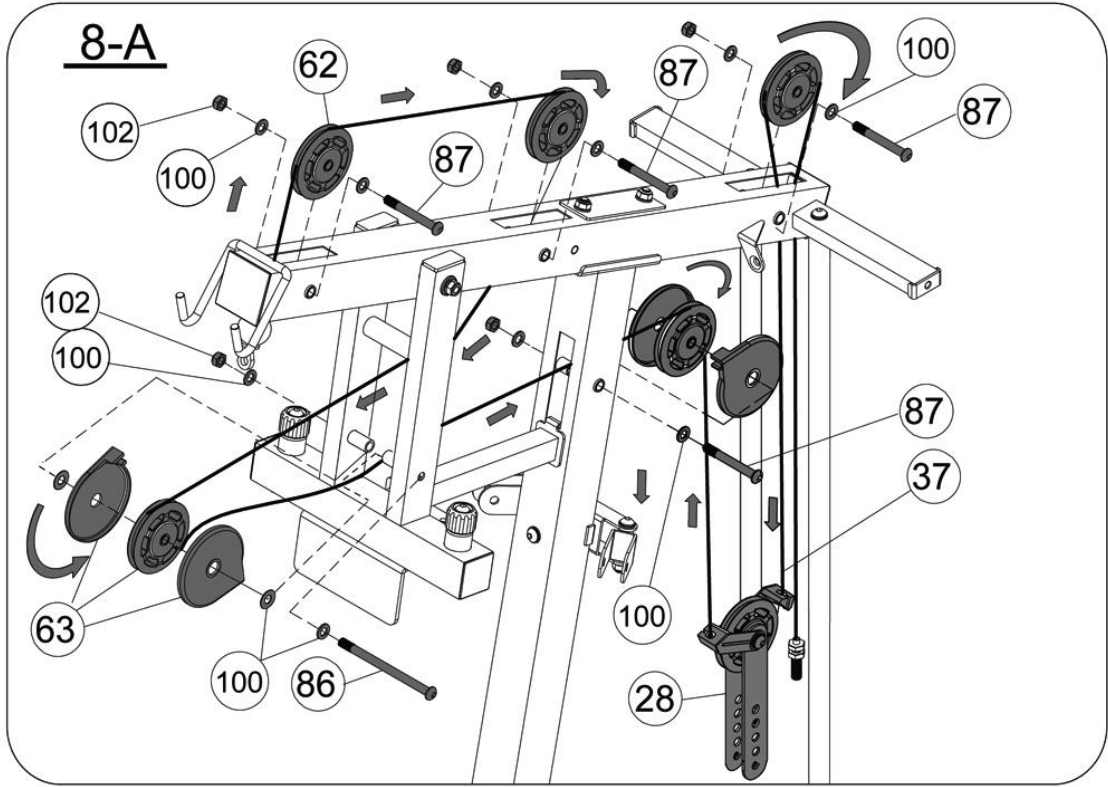


Attach the right arm (8) to the right butterfly adjustment frame (21) with the spacer (58), washer (100), bolt (92), quick release safety pin (52), bolt (96), 2x washers (101) and nut (103). Attach the right butterfly adjustment frame (21) to the front press base (6) with the spacer (59), washer (100) and bolt (93).

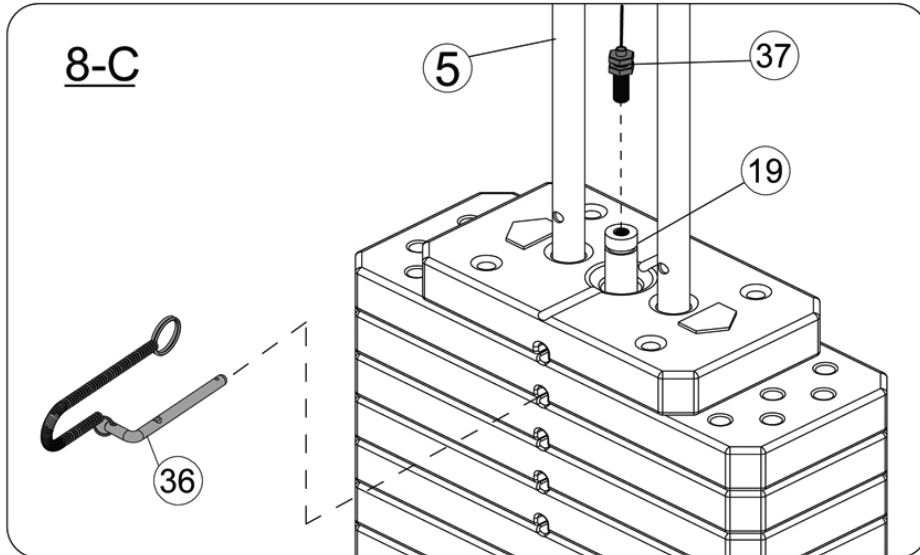
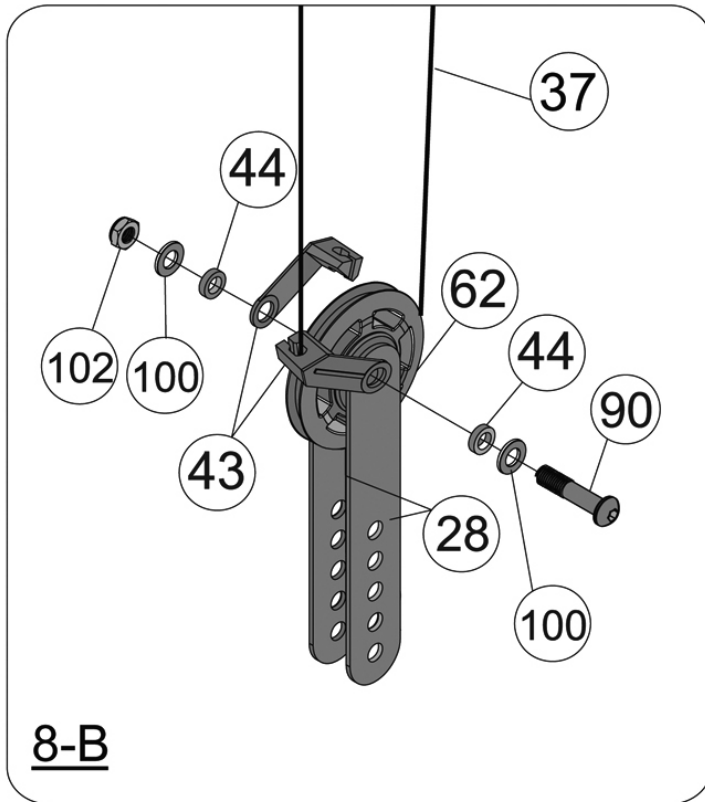
Slide the foam cylinder (50) onto the right arm (8) and then attach the handle (16) to the arm (8) using the washer (100) and the bolt (92). Repeat for the other side.

STEP 8





8-A



8-B
8-C

Attach 4x pulleys (62) to the upper frame and double pulley bracket (28), each with a bolt (87), 2x washers (100) and a nut (102) as shown in Figure 8-A.






Attach the pulley (62) to the double pulley bracket (28) using the bolt (90), 2x washers (100), the cable bracket (43), 2x spacers (44) and the nuts (102) as shown in Figure 8-B.

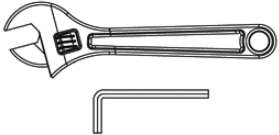
Attach the 2x pulleys with covers (63) to the front press base (6) and front frame (1), each using bolt (86), 4x washers (100) and nut (102) as shown in Figure 8-A.

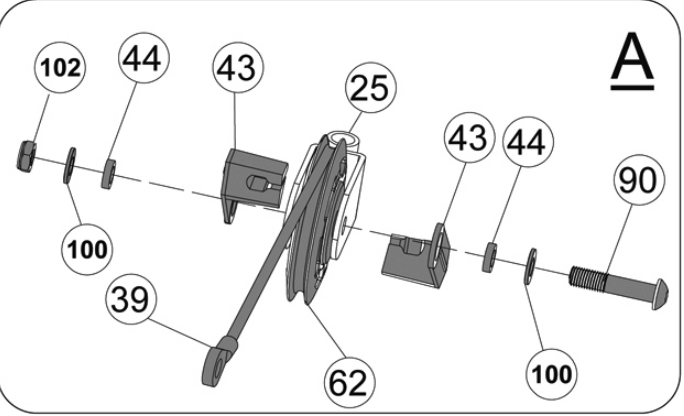
Disassemble the ball end of the cable (37) and pass it as shown in Figure 8-A.

Then reattach the ball end of the cable. Attach the cable end (37) to the weight selection bar (19). Attach the weight selection pin (36) to the weight (35) as shown in Figure 8-C.

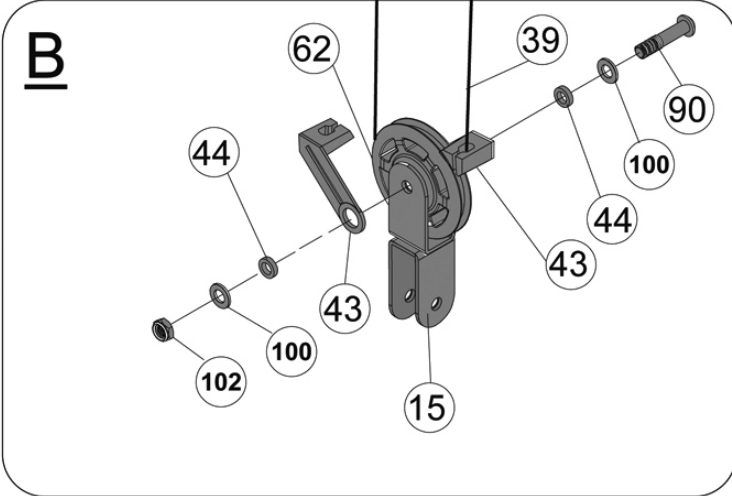
STEP 9

90	x 3		M10 x 2"	39	x 1		
100	x 6		$\varnothing \frac{3}{4}"$				116"
102	x 3	 	M10				

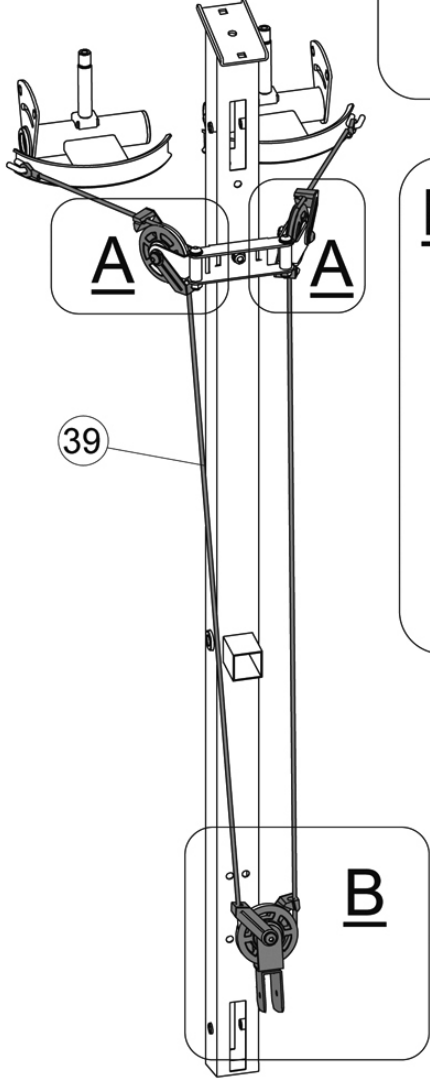


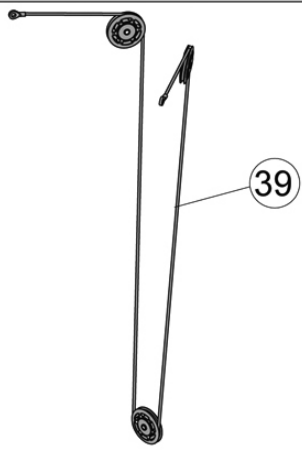


A



B








9

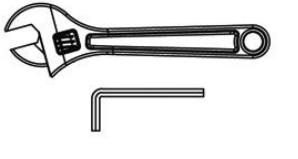
Attach 2x pulleys (62) with 4x cable holders (43), 4x spacers (44), 4x washers (100), 2x bolts (90) and 2x nuts (102).

Attach the pulley (62) with 2x cable holders (43), 2x spacers (44), 2x washers (100), bolt (90) and nut (102).

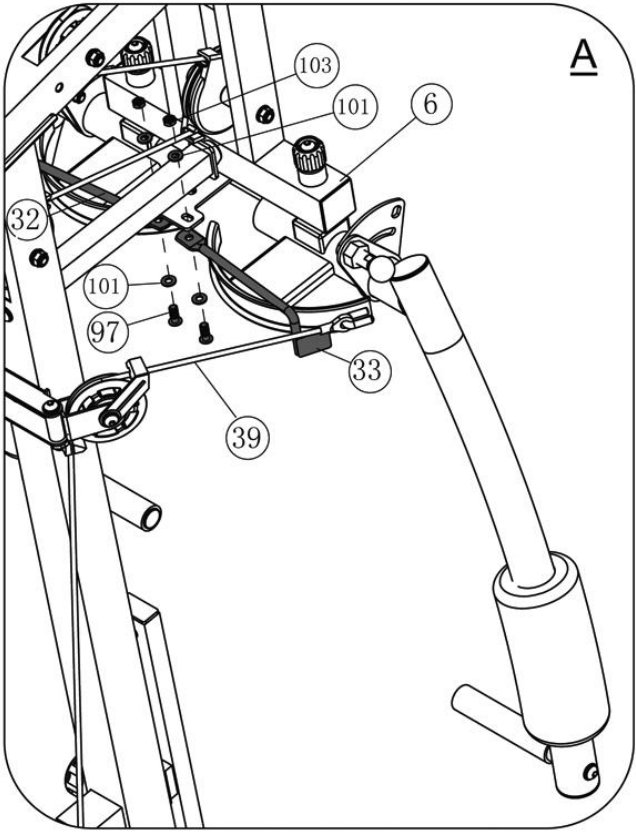
Pass the cable (39) as shown.

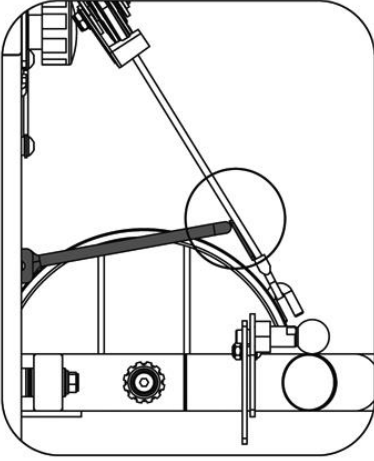
STEP 10

(97) ×2		M8 x 3/4"	
(101) ×4		Ø 5/8"	
(103) ×2	 ⌀	M8	

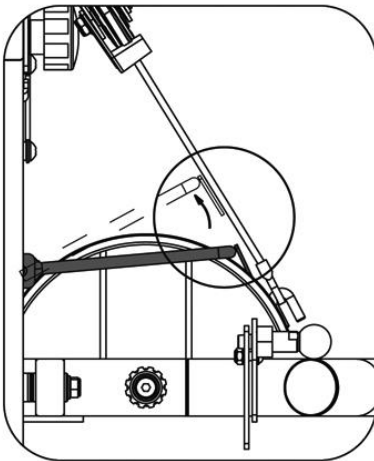


A






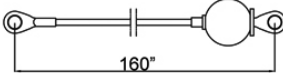
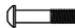




←

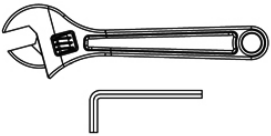


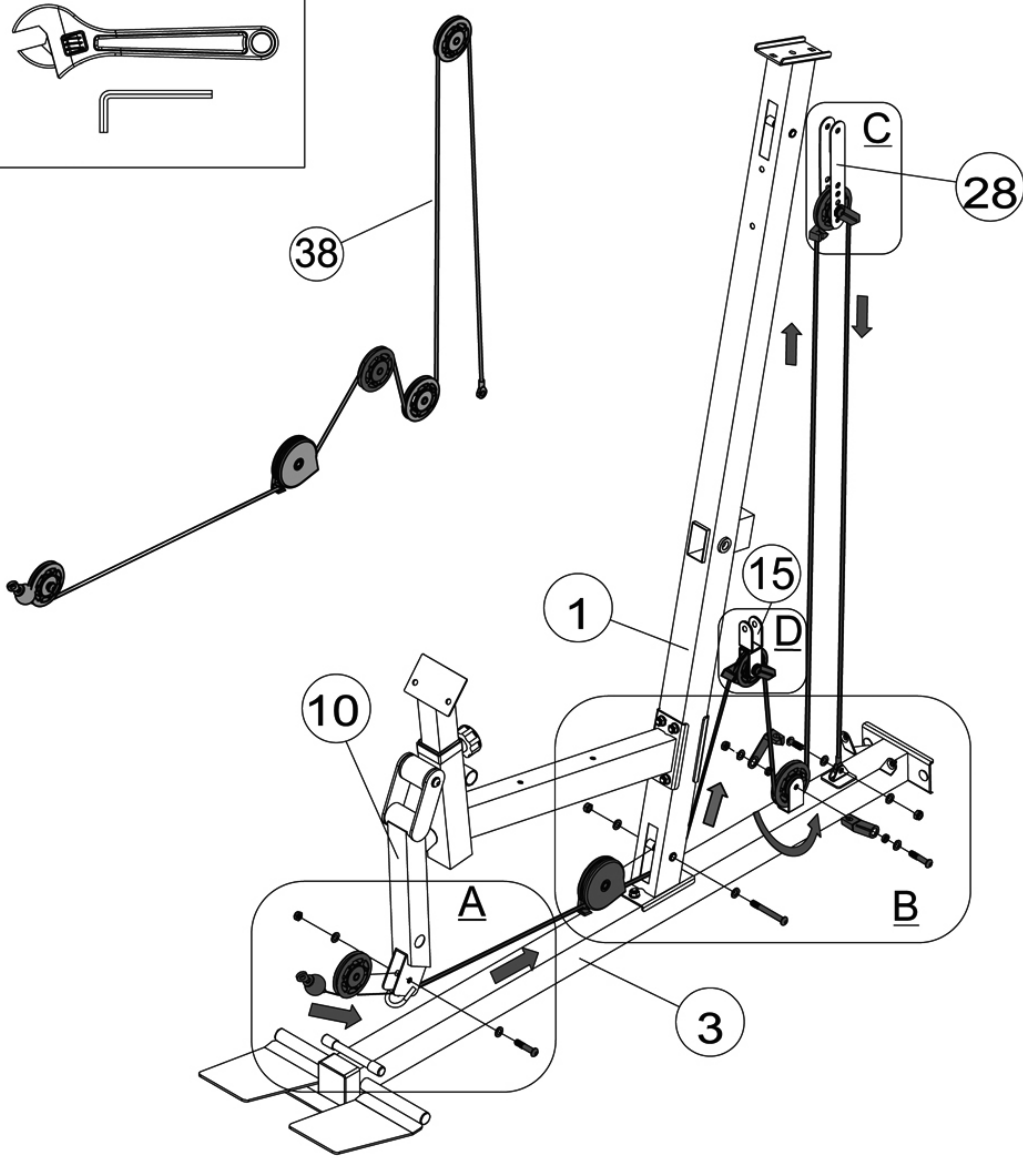
10

Attach the right and left arm (33 and 32) with 2x bolts (97), 4x washers (101) and 2x nuts (103).

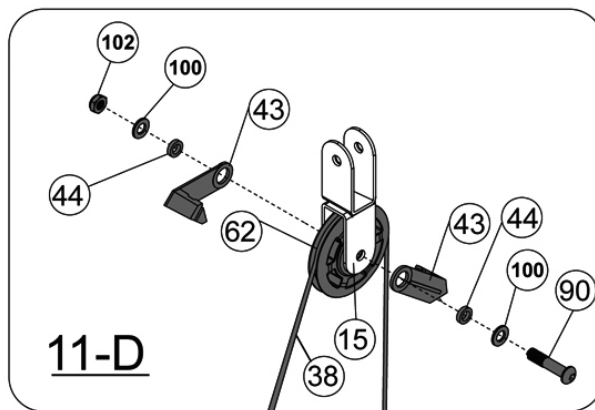
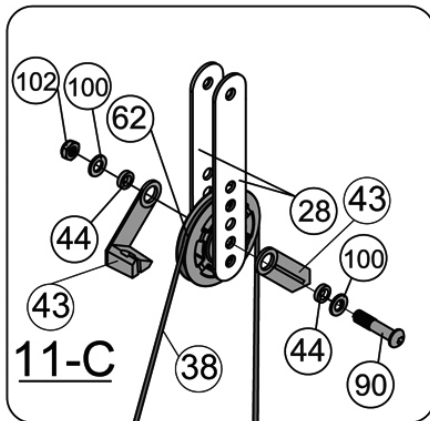
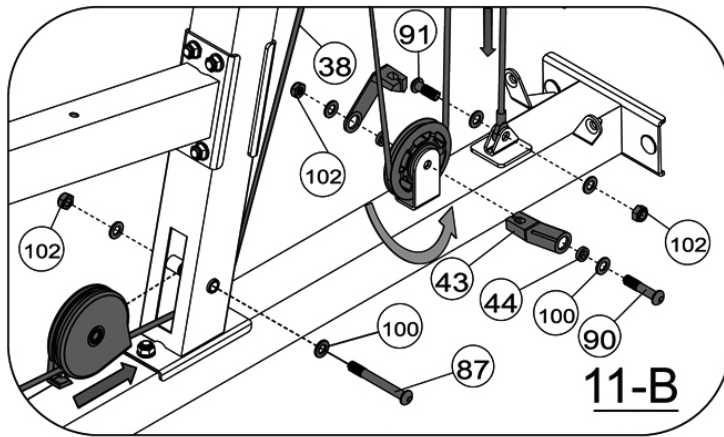
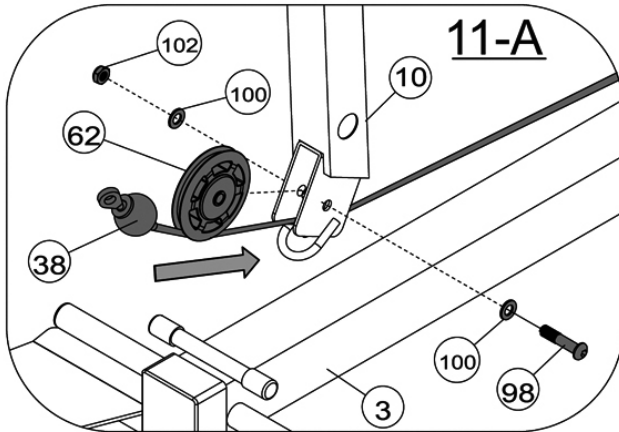
STEP 11

Ⓢ7	x1		M10 x 3 3/8"	Ⓢ8	x1		160"
Ⓢ9	x3		M10 x 2"				
Ⓢ8	x1		M10 x 1 3/4"				
Ⓢ1	x1		M10 x 1 1/8"				
Ⓢ0	x12			∅ 3/4"			
Ⓢ2	x6			M10			





11



11-A 11-B
11-C 11-D

Pass the cable (38) as shown.

Attach the pulley (62) to the leg press (10) with the bolt (98), 2x washers (100) and nut (102) as shown in Figure 11-A.





Attach the pulley (62) to the front frame (1) using the bolt (87), 2x washers (100), and the nut (102) as shown in Figure 11-B.

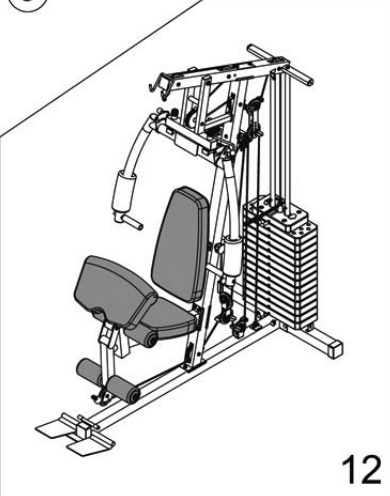
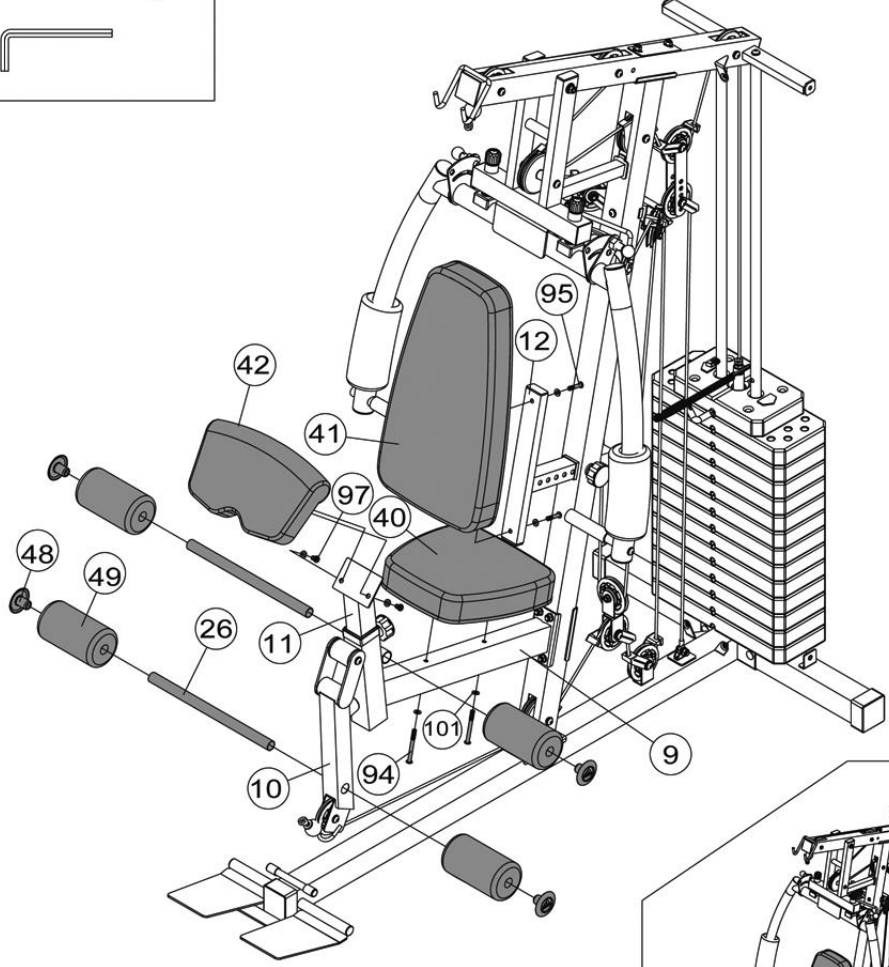
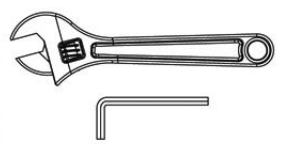
Attach the pulley (62) to the base (3) using the bolt (90), 2x washers (100), spacer (44), cable holder (43), and nut (102) as shown in Figure 11-B. Attach the cable (38) to the base (3) with bolt (91). 2x washers (100) and nuts (102).

Attach the pulley (62) to the double pulley bracket (28) using the bolt (90), 2x washers (100), 2x spacers (44), cable bracket (43), and nut (102) as shown in Figure 11-C.

Attach the pulley (62) to the pulley bracket (15) using the bolt (90), 2x washers (100), 2x spacers (44), pulley bracket (43) and nut (102) as shown in Figure 11-D.

STEP 12

- 94 × 2  M8 x 3 3/8"
- 95 × 2  M8 x 1 5/8"
- 97 × 2  M8 x 3/4"
- 101 × 6  | Ø 5/8"



Attach the backrest (41) to the backrest frame (12) with 2x bolts (95) and 2x washers (101).

Attach the saddle (40) to the saddle post (9) using 2x bolts (94) and 2x washers (101).

Attach the arm curl pad (42) to the frame (11) with 2x bolts (97) and 2x washers (101).

Attach the foam roller tube (26) to the frames (10 and 11). Then attach the foam rollers (49) and the foam roller end cap (48) onto the tubes (26).

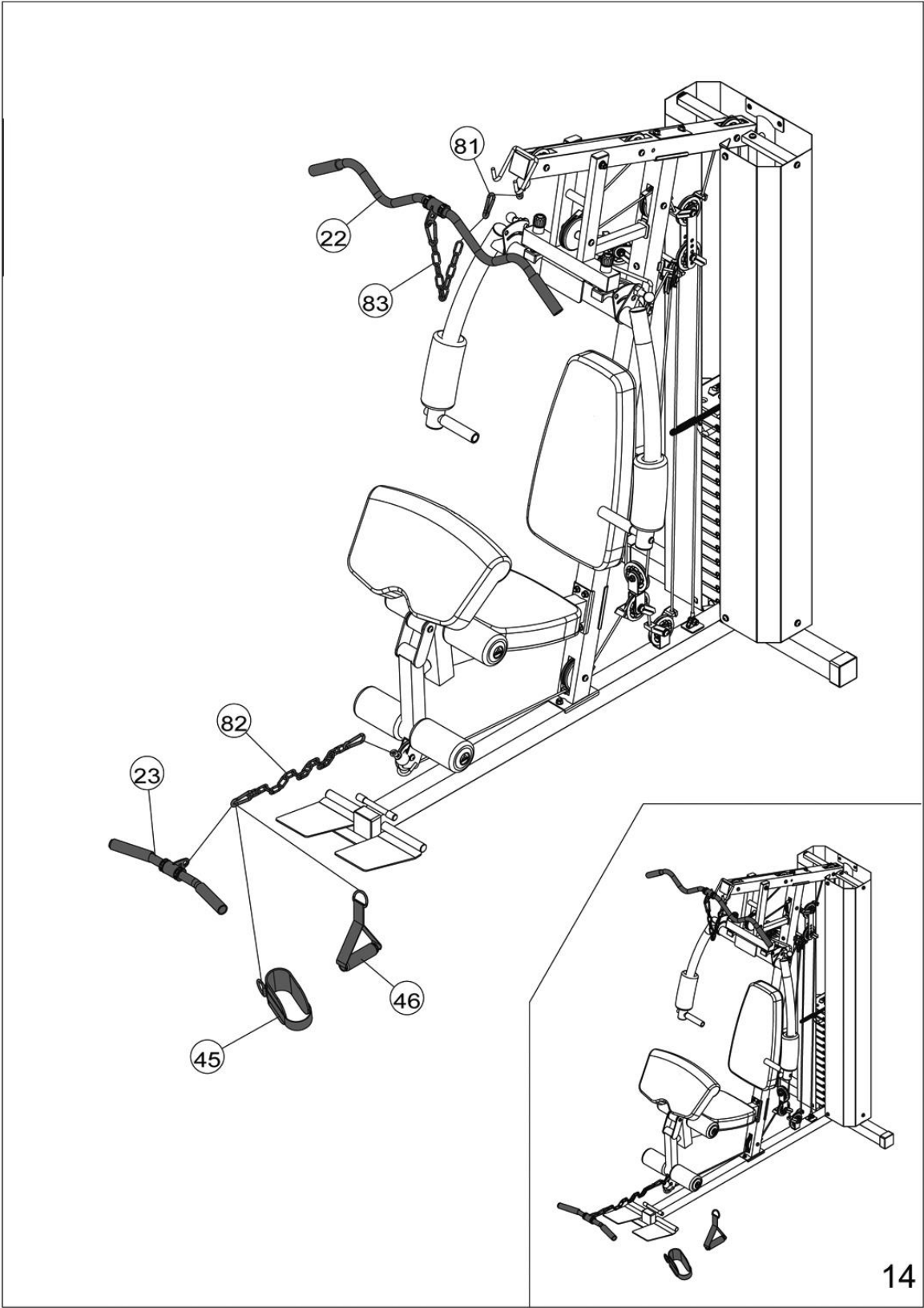
STEP 13

<p>93 ×12</p>		<p>M10 x 5/8"</p>	
<p>100 ×12</p>		<p>Ø 3/4"</p>	

13

Attach the covers (27) together with the plate (105) to the bottom and top frame with 12x **bolts** (93) and 12x washers (100).

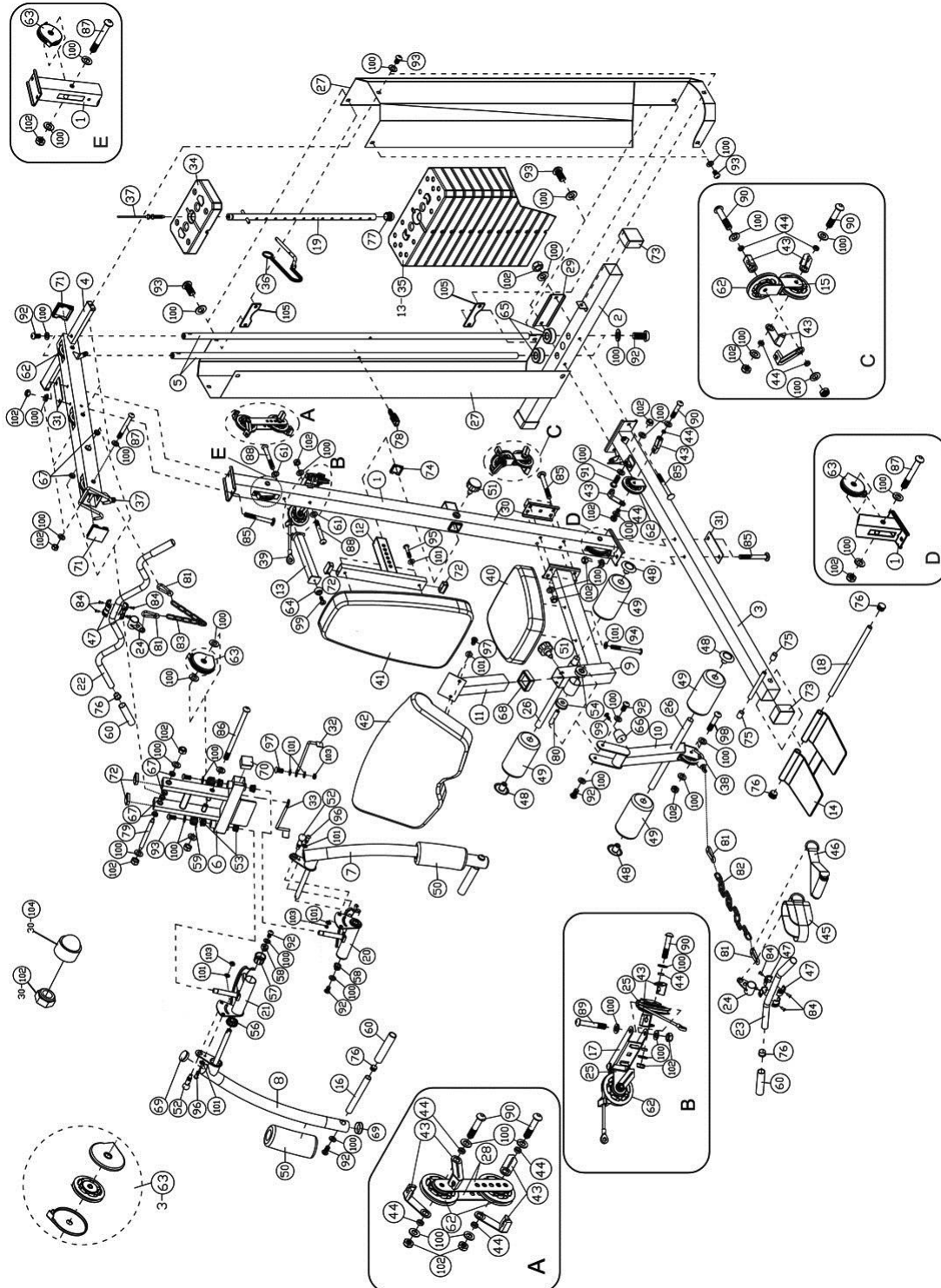
STEP 14



Attach the handle (22) to the upper frame with the chain (83) and the hook (81).

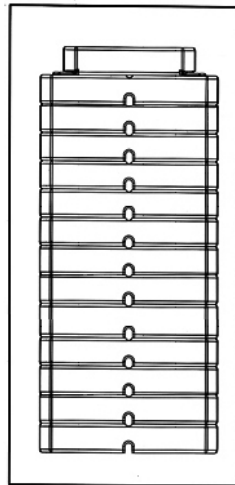
Attach the handrail (23) or ankle strap (45) or the handrail (43) with the chain (82) to the leg press (10).

DIAGRAM



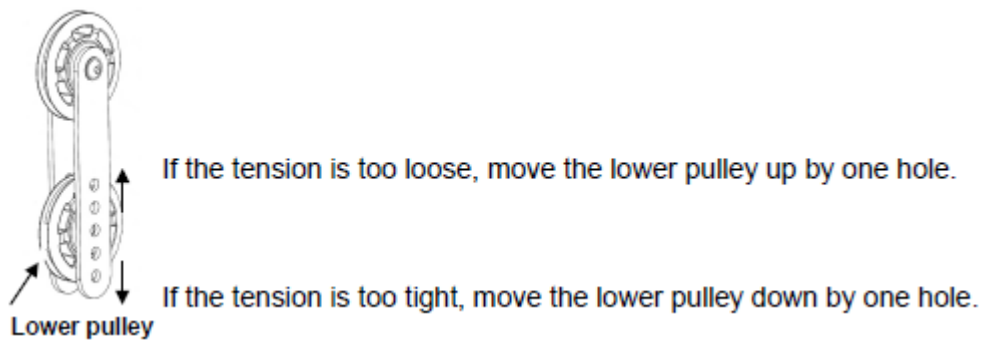
WEIGHT PLATE INSTALLATION

Slide weight plates onto Guide Rod from top to bottom. The deep groove on each weight plate needs to face FRONT and DOWNWARDS.



CABLE RESISTANCE ADJUSTMENT

You can adjust the resistance by sliding the pulley on the double pulley bracket.



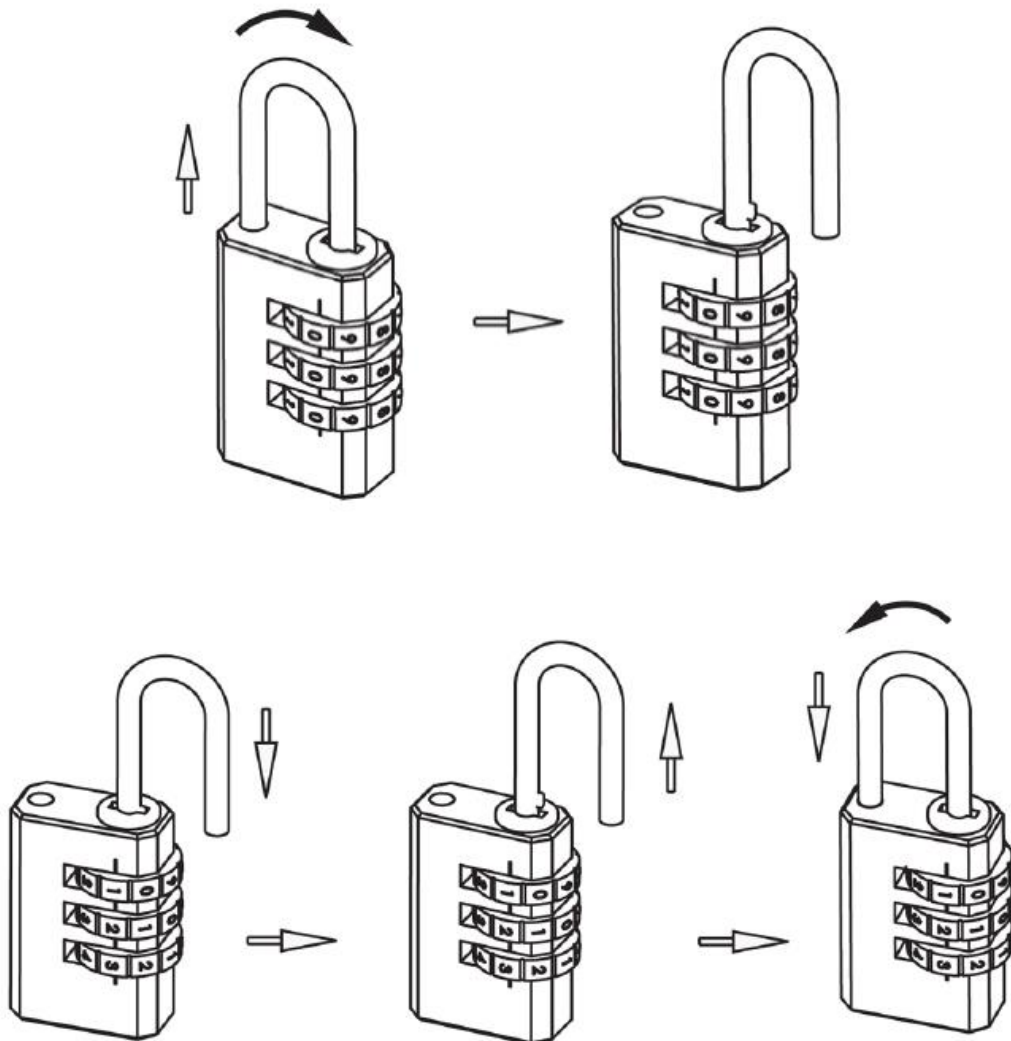
LOCK SET UP INSTRUCTIONS

Turn the dials to the combination numbers you have set and pull up the shackle to open the lock.

The lock is set at the manufacturer to open at 0-0-0 (all zeros are positioned on the straight line). It is recommended to change the combination to ensure safety.

Please follow the below steps to change the combination:

1. Turn the dials to 0-0-0. Pull up the shackle and turn it to the direction shown in the below diagram.
2. Press down the shackle and turn each dial to the number you want to set.
3. Pull up the shackle, swing back and press down into the hole to set the new combination.



WEIGHT RESISTANCE CHART

Weights	Front press	Back press	Butterfly	Lat pull	Low pulley
1	29	32	12	30	35
2	48	52	19	45.2	50
3	68	73	26	60	65
4	86	94	33	75.2	80
5	106	115	40	90	95
6	125	135	47	105	110
7	144	156	54	120.2	125
8	163	177	61	135	140
9	182	198	68	150	155
10	202	219	75	165	170
11	221	240	82	180	185
12	240	260	89	195	200
13	260	280	96	210	215

Each plate weighs 6.9 kg (15.2 lb).

Numbers are approximate. Actual weights may vary.

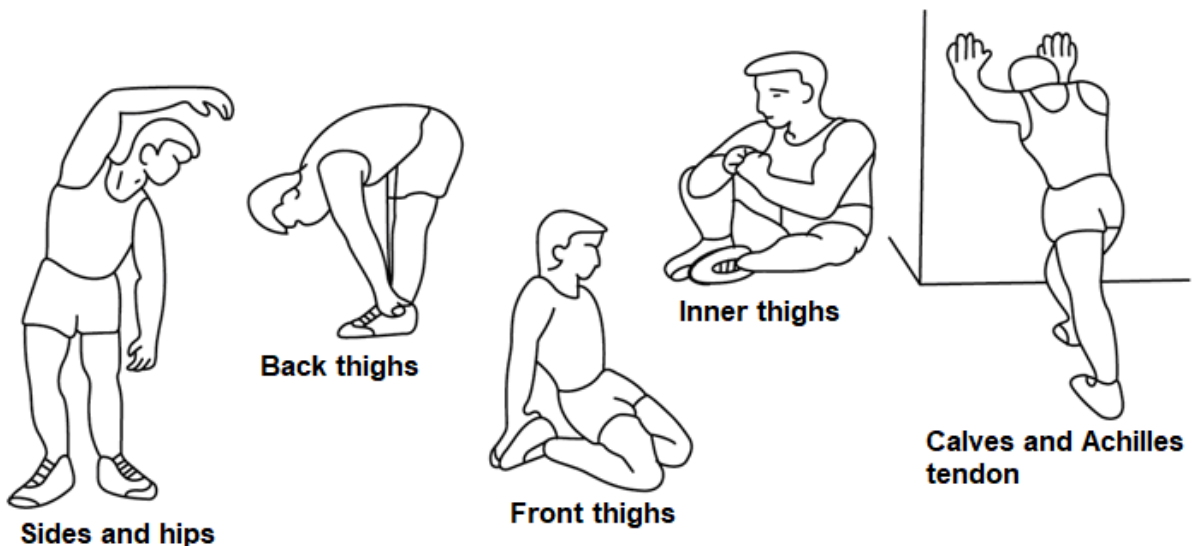
Values for butterfly are for each arm.

EXERCISE INSTRUCTIONS

Exercise is beneficial to your health, improves physical condition, shapes muscles and, in combination with a calorie-balanced diet, leads to weight loss.

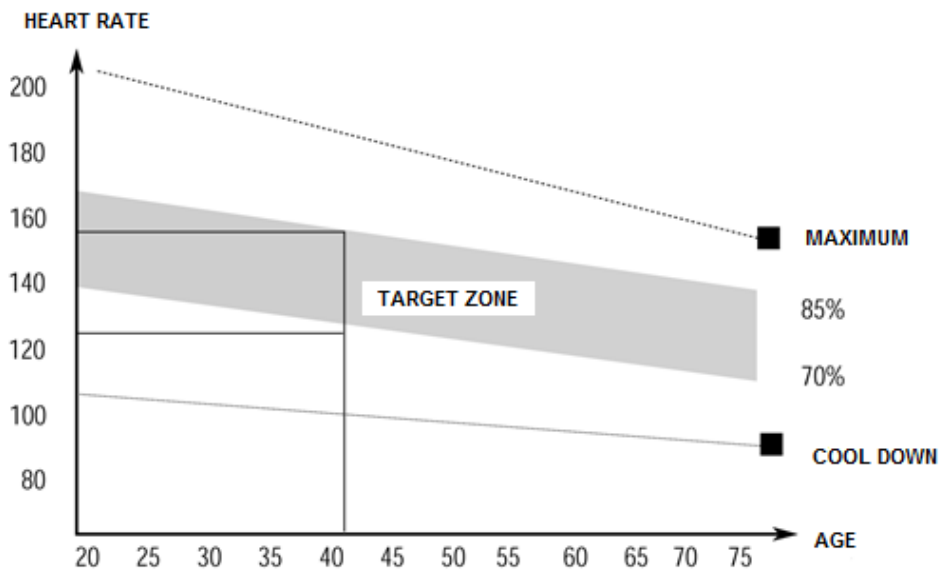
1. WARM UP

This phase serves to improve the blood circulation of the whole body and to warm up the muscles, to reduce the risk of convulsions and muscle injury. We recommend performing the stretching exercises below. When dragging, stay in the end position for approximately 30 seconds, do not make sudden movements and do not vibrate.



2. EXERCISING

This phase is the most physically demanding part. Regular exercise strengthens the muscles. You can determine the tempo yourself, but it is very important that it is the same throughout the exercise. Heart rate should be within the target zone (see figure below).



This phase should last at least 12 minutes. Most people exercise for 15-20 minutes.

3. COOLDOWN

This phase serves to soothe the cardiovascular system and relax the muscles. It should take approximately 5 minutes. You can repeat warming up exercises or continue exercising at slower pace. Stretching your muscles after exercise is extremely important - you need to avoid sudden movements and vibrations.

With improved fitness, you can lengthen and increase exercise intensity. Train regularly, at least three times a week.

SHAPING MUSCLES

For muscle shaping, it is important to set a high load. The muscles will be more stressed, which may cause that you will not be able to exercise as long as usual. If you are trying to improve your condition at the same time, you need to adjust your training. Exercise in the usual way during the warm-up and final stages of training but increase the resistance of the device at the end of the exercise. You may need to slow down the speed to keep the heart rate in the target area.

WEIGHT LOSS

The number of calories burned depends on the length and intensity of the exercise. The essence is the same as in fitness exercise, but the goal is different.

MAINTENANCE

1. After exercising, wipe off any sweat to avoid corrosion. Clean the device with a soft cloth and mild detergents. Do not use abrasive cleaners or solvents on plastic parts.
2. In case of increased machine noise, all bolts and joints must be checked and tightened properly.
3. The product must be placed in clean, ventilated and dry areas.
4. Do not expose the device to direct sunlight.

ENVIRONMENT PROTECTION

After the product lifespan expired or if the possible repairing is uneconomic, dispose it according to the local laws and environmentally friendly in the nearest scrapyard.

By proper disposal you will protect the environment and natural sources. Moreover, you can help protect human health. If you are not sure in correct disposing, ask local authorities to avoid law violation or sanctions.

Don't put the batteries among house waste but hand them in to the recycling place.

TERMS AND CONDITIONS OF WARRANTY, WARRANTY CLAIMS

General Conditions of Warranty and Definition of Terms

All Warranty Conditions stated here under determine Warranty Coverage and Warranty Claim Procedure. Conditions of Warranty and Warranty Claims are governed by Act No. 89/2012 Coll. Civil Code, and Act No. 634/1992 Coll., Consumer Protection, as amended, also in cases that are not specified by these Warranty rules.

The seller is SEVEN SPORT s.r.o. with its registered office in Strakonická street 1151/2c, Prague 150 00, Company Registration Number: 26847264, registered in the Trade Register at Regional Court in Prague, Section C, Insert No. 116888.

According to valid legal regulations it depends whether the Buyer is the End Customer or not.

“The Buyer who is the End Customer” or simply the “End Customer” is the legal entity that does not conclude and execute the Contract in order to run or promote his own trade or business activities.

“The Buyer who is not the End Customer” is a Businessman that buys Goods or uses services for the purpose of using the Goods or services for his own business activities. The Buyer conforms to the General Purchase Agreement and business conditions.

These Conditions of Warranty and Warranty Claims are an integral part of every Purchase Agreement made between the Seller and the Buyer. All Warranty Conditions are valid and binding, unless otherwise specified in the Purchase Agreement, in the Amendment to this Contract or in another written agreement.

Warranty Conditions

Warranty Period

The Seller provides the Buyer a 24 months Warranty for Goods Quality, unless otherwise specified in the Certificate of Warranty, Invoice, Bill of Delivery or other documents related to the Goods. The legal warranty period provided to the Consumer is not affected.

By the Warranty for Goods Quality, the Seller guarantees that the delivered Goods shall be, for a certain period of time, suitable for regular or contracted use, and that the Goods shall maintain its regular or contracted features.

The Warranty does not cover defects resulting from (if applicable):

- User's fault, i.e. product damage caused by unqualified repair work, improper assembly, insufficient insertion of seat post into frame, insufficient tightening of pedals and cranks
- Improper maintenance
- Mechanical damages
- Regular use (e.g. wearing out of rubber and plastic parts, moving mechanisms, joints, wear of brake pads/blocks, chain, tires, cassette/multi wheel etc.)
- Unavoidable event, natural disaster
- Adjustments made by unqualified person
- Improper maintenance, improper placement, damages caused by low or high temperature, water, inappropriate pressure, shocks, intentional changes in design or construction etc.

Warranty Claim Procedure

The Buyer is obliged to check the Goods delivered by the Seller immediately after taking the responsibility for the Goods and its damages, i.e. immediately after its delivery. The Buyer must check the Goods so that he discovers all the defects that can be discovered by such check.

When making a Warranty Claim the Buyer is obliged, on request of the Seller, to prove the purchase and validity of the claim by the Invoice or Bill of Delivery that includes the product's serial number, or eventually by the documents without the serial number. If the Buyer does not prove the validity of the Warranty Claim by these documents, the Seller has the right to reject the Warranty Claim.

If the Buyer gives notice of a defect that is not covered by the Warranty (e.g. in the case that the Warranty Conditions were not fulfilled or in the case of reporting the defect by mistake etc.), the Seller is eligible to require a compensation for all the costs arising from the repair. The cost shall be calculated according to the valid price list of services and transport costs.

If the Seller finds out (by testing) that the product is not damaged, the Warranty Claim is not accepted. The Seller reserves the right to claim a compensation for costs arising from the false Warranty Claim.

In case the Buyer makes a claim about the Goods that is legally covered by the Warranty provided by the Seller, the Seller shall fix the reported defects by means of repair or by the exchange of the damaged part or product for a new one. Based on the agreement of the Buyer, the Seller has the right to exchange the defected Goods for a fully compatible Goods of the same or better technical characteristics. The Seller is entitled to choose the form of the Warranty Claim Procedures described in this paragraph.

The Seller shall settle the Warranty Claim within 30 days after the delivery of the defective Goods, unless a longer period has been agreed upon. The day when the repaired or exchanged Goods is handed over to the Buyer is considered to be the day of the Warranty Claim settlement. When the Seller is not able to settle the Warranty Claim within the agreed period due to the specific nature of the Goods defect, he and the Buyer shall make an agreement about an alternative solution. In case such agreement is not made, the Seller is obliged to provide the Buyer with a financial compensation in the form of a refund.

CZ

SEVEN SPORT s.r.o.

Registered Office: Strakonická 1151/2c, Praha 5, 150 00, ČR
Headquarters: Dělnická 957, Vítkov, 749 01
Warranty & Service: Čermenská 486, Vítkov 749 01

CRN: 26847264
VAT ID: CZ26847264

Phone: +420 556 300 970
E-mail: eshop@insportline.cz
reklamace@insportline.cz
servis@insportline.cz

Web: www.inSPORTline.cz

SK

inSPORTline s.r.o.

Headquarters, warranty & service center: Električná 6471, Trenčín 911 01, SK

CRN: 36311723
VAT ID: SK2020177082

Phone: +421(0)326 526 701
E-mail: objednavky@insportline.sk
reklamacie@insportline.sk
servis@insportline.sk

Web: www.inSPORTline.sk