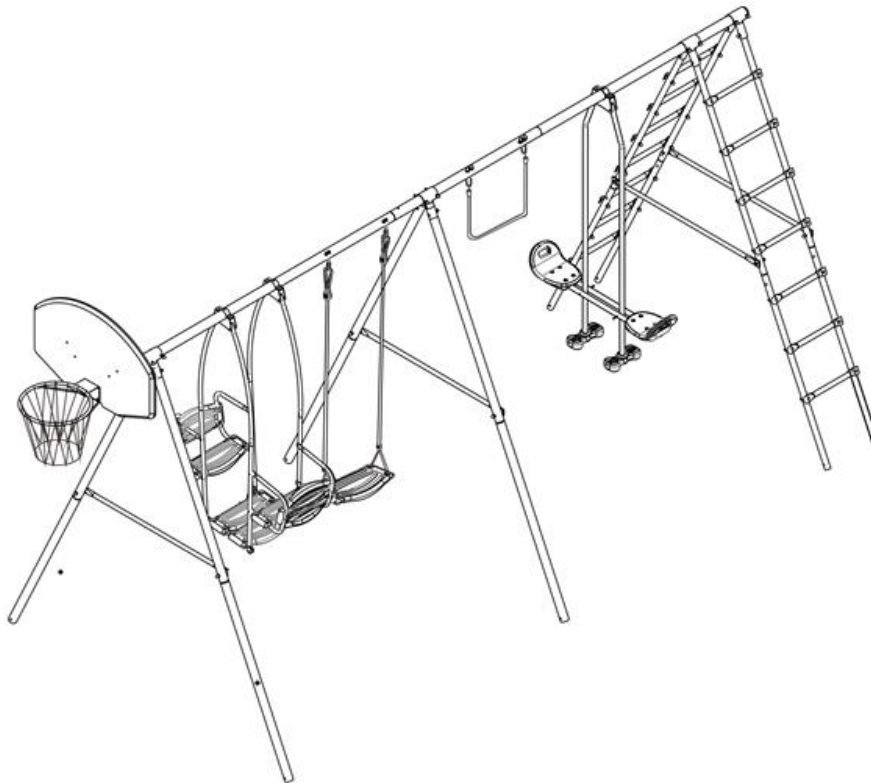




USER MANUAL – EN

IN 2053 Children's Garden Swing Sunnychild 6in1



CONTENTS

INTRODUCTION..... 3

SAFETY PRECAUTIONS..... 3

PACKAGE LIST..... 4

ASSEMBLY STEPS 6

SWING ACCESSORY 9

RIGID SWING ACCESSORY 10

GONDOLA ACCESSORY 11

PULL-UP BAR ACCESSORY 14

MAINTENANCE 15

TERMS AND CONDITIONS OF WARRANTY, WARRANTY CLAIMS..... 15

INTRODUCTION

Thank you for purchasing this product. First check that no part is missing or damaged. If some part is missing, contact the producer.

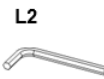
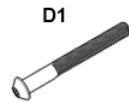
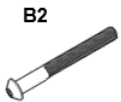
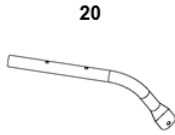
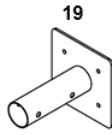
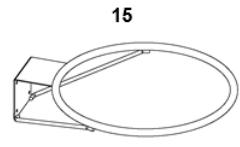
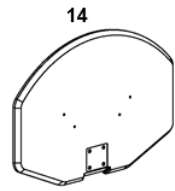
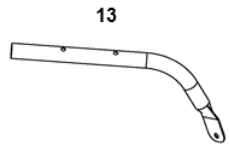
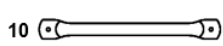
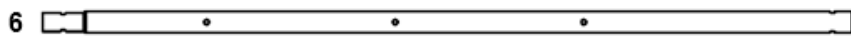
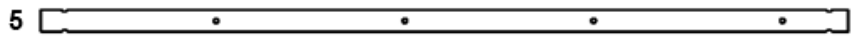
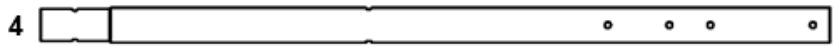
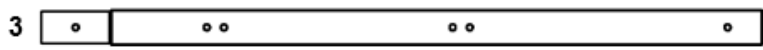
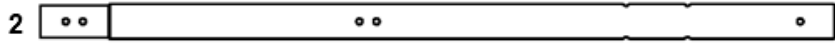
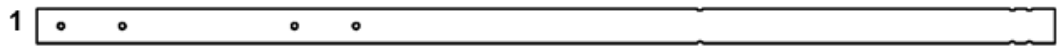
SAFETY PRECAUTIONS

- This product is intended for max. 8 children in age from 3 to 10 years. The maximum load capacity of each seat is 35 kg. Never exceed this limit.
- Not suitable for children up to 3 years of age because of choking hazard (small parts).
- Read this manual carefully before starting assembly and using. Observe all warnings. Put this product on area with fine sand and sawdust. Never put it on trampled ground, concrete or another rough surface. Read all precautions before starting using.
- Tighten properly all bolts and nuts. Assembly should be done only by an adult.
- This product can be used both indoors and outdoors. If you use it indoors, keep a safety clearance of at least 3 m from each set leg. When used indoors, it should have concrete anchoring.
- You can use it on grass, but not on concrete. On other surface, check correct anchoring.
- Children should use it only under adult supervision.
- It is not suitable for children under 3 years of age.
- Intended only for home use.
- Read carefully this manual before first use and retain it for future reference.
- Regularly check all bolts and nuts. They should be properly tightened. Regularly check all parts for damage or wearing. Never use damaged or worn product. Don't do any improper modification.
- Use rubber caps to cover screws.
- Never use sharp or spiky object during using. If some sharp edges occur, stop using.
- Install it on a free area without obstacles.
- Use it on a flat and grassy area. Avoid terraces, concrete or rough terrain.
- Instruct children in proper and safe using. Never let them climb or hang on bars to avoid an injury.
- The swing seat should not be more than 600 mm above ground. Never stand on the seat during using.
- Hanging systems, hardware and other parts should be regularly checked and replaced if necessary.
- Ropes should be replaced every 12 months.
- Check the coating and rectify if necessary using non-toxic paint or car varnish.
- Legs must be concreted in ground. If it is impossible, use included anchoring system.
- Never let children unsupervised during playing.
- If the swing is damaged or not used for a long period, disassemble it or secure it against unauthorized use.
- This product meets the standard EN71.

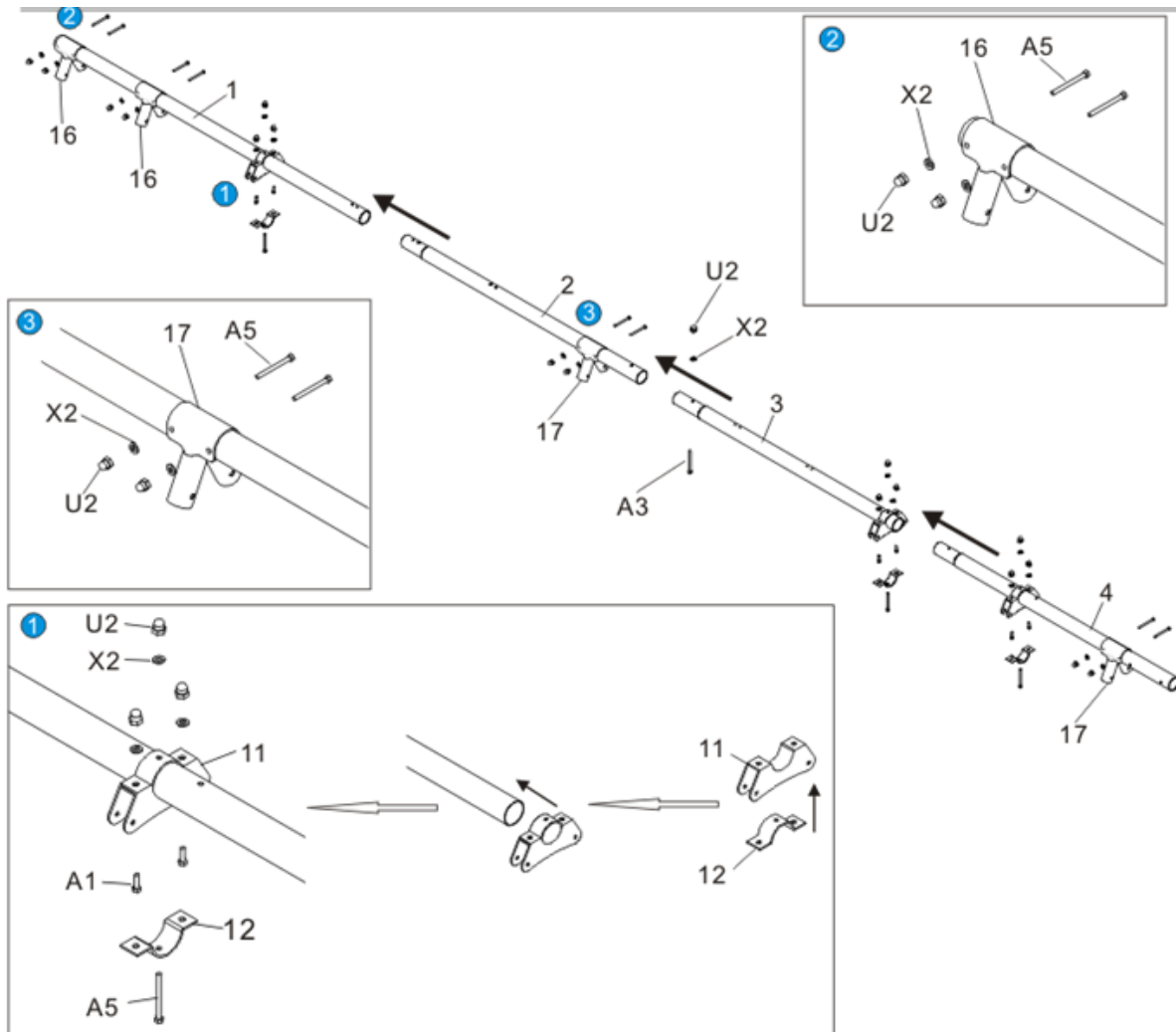
PACKAGE LIST

No.	Description	Pc
1	Upper support bar A	1
2	Upper support bar B	1
3	Upper support bar C	1
4	Upper support bar D	1
5	Ladder frame leg (upper)	4
6	Ladder frame leg (lower)	4
7	Leg (upper)	4
8	Leg (lower)	4
9	Side support (with safety cover)	4
10	Crossbar	14
11	Hanging support	3
12	Half-circle clamp	6
13	Side basketball support (A)	1
14	Rear basketball board	1
15	Basket assembly	1
16	Leg connector (L)	2
17	Leg connector (S)	2
18	Peg	8
23	Board bracket	1
24	Basketball side support (B)	1
A1	M8x25 screw	6
A3	M8x60 screw	2
A4	M8x65 screw	4
A5	M8x70 screw	12
B5	M6x65 screw	4
B4	M6x55 screw	4
B2	M6x50 screw	12
D1	M6x40 flat-head screw	4
D2	M6x35 flat-head screw	4
E5	M6x40 screw	28
U1	M6 safety nut	56
U2	M8 safety nut	24
X1	M6 nylon washer	56
X2	M8 nylon washer	24
X3	M6 metal washer	4

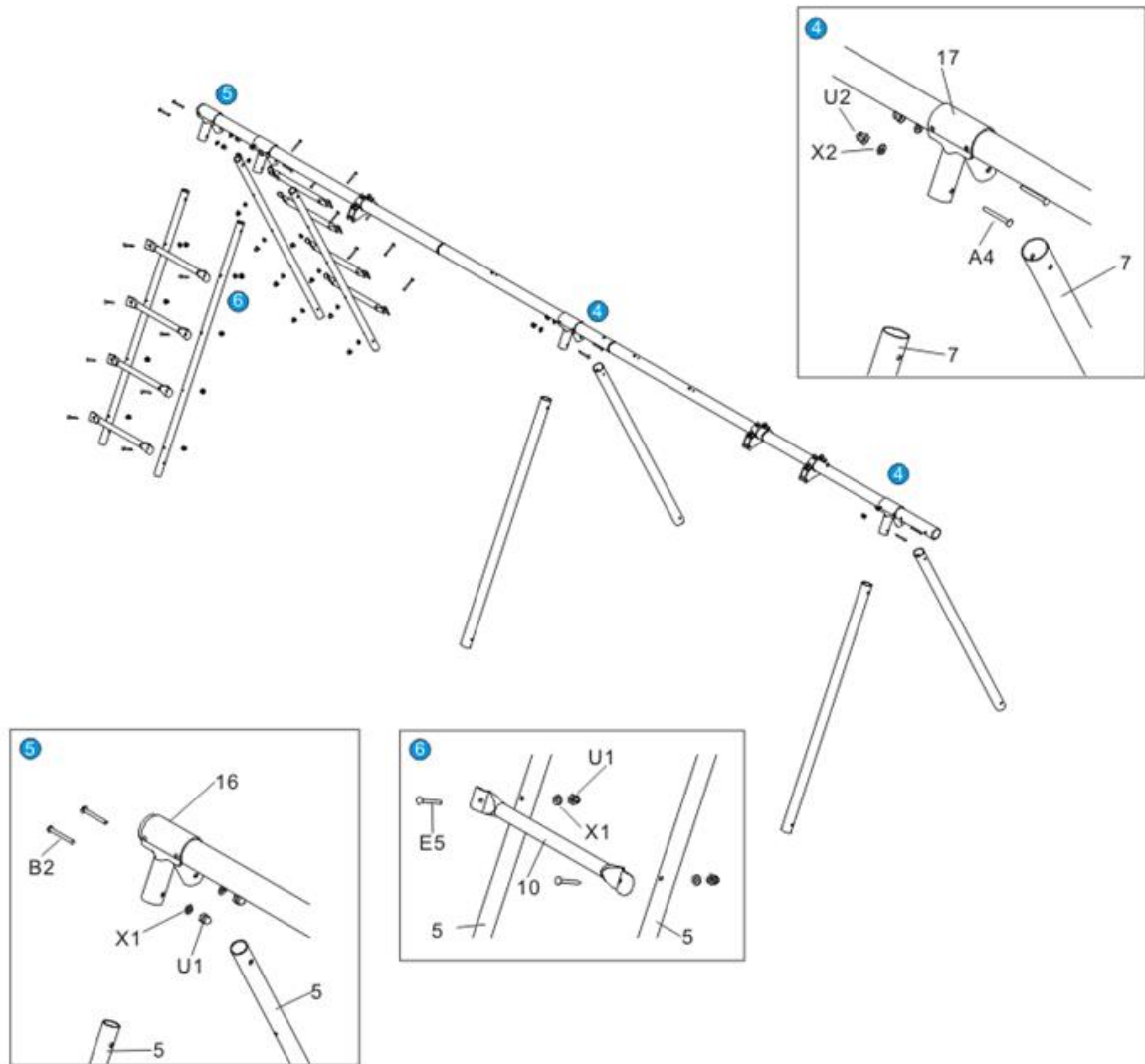
L1	M6 socket wrench	1
L2	M8 socket wrench	1
L3	Spanner	1



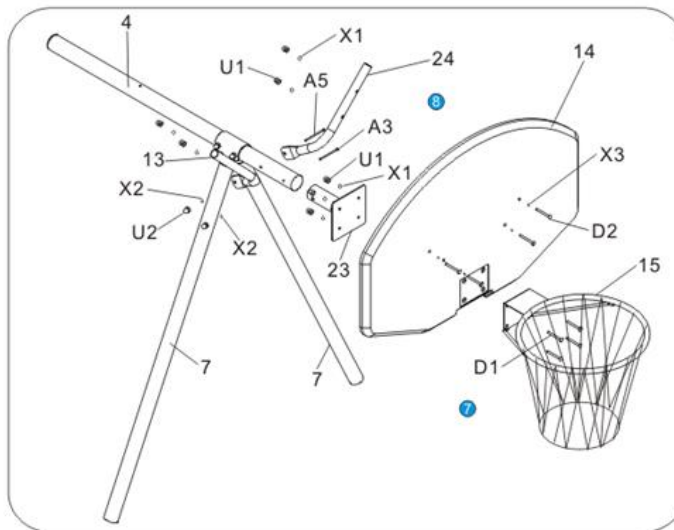
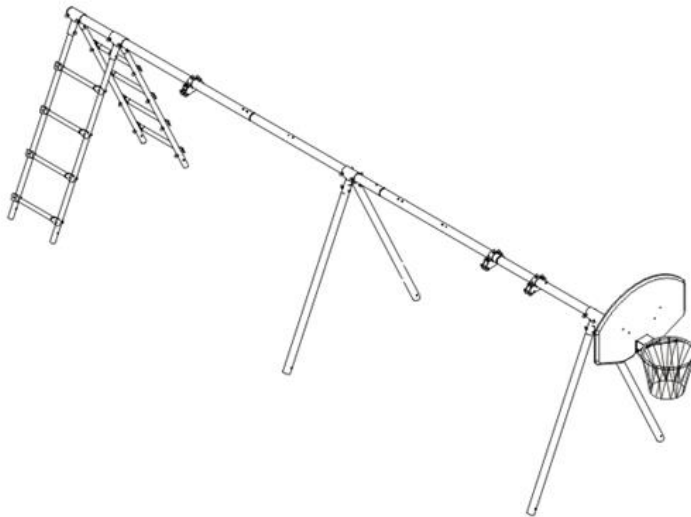
ASSEMBLY STEPS



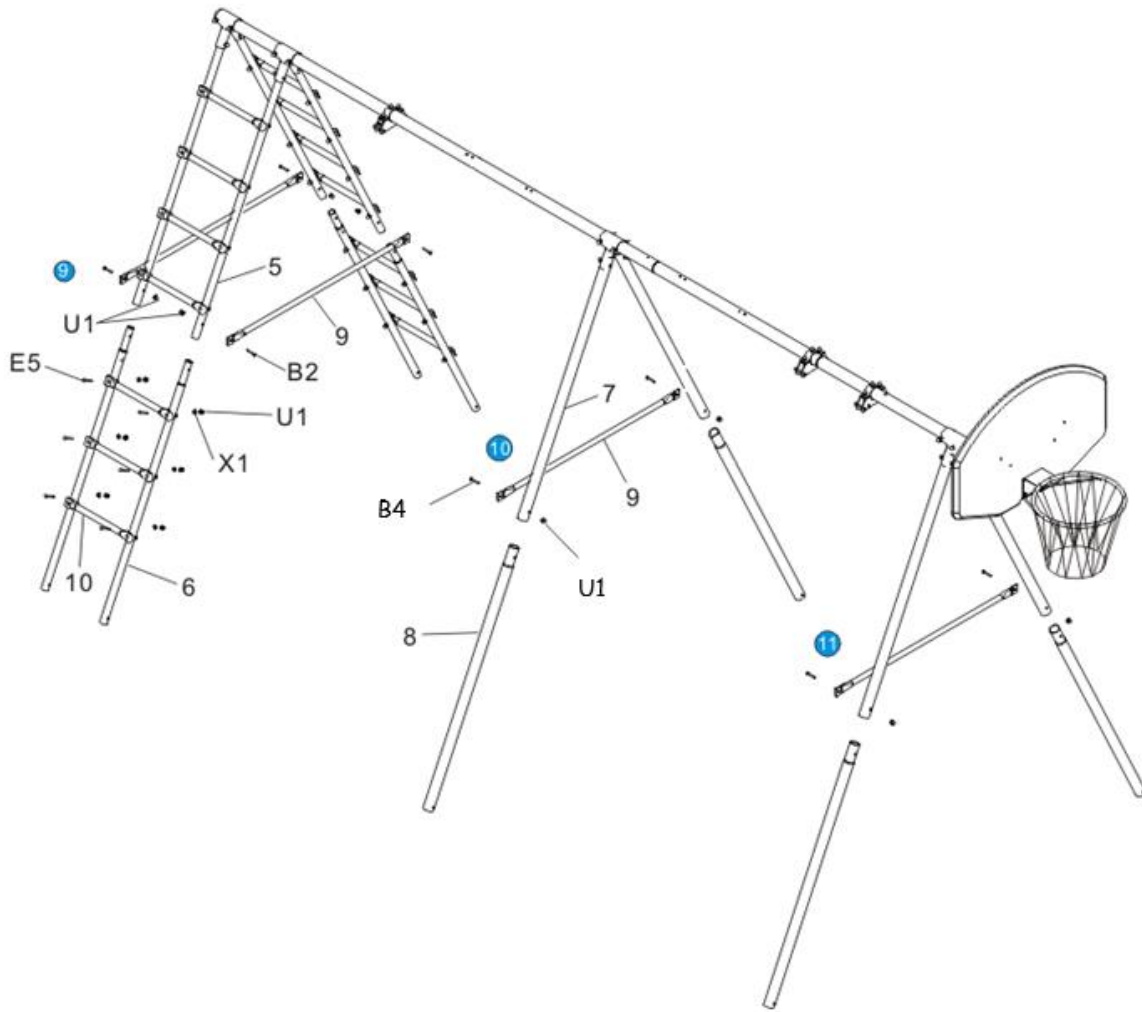
1. Attach half-circle connectors (12) into hanger support channel (11) and slide to top support bar A (1) and slide another two to the top support bar C (3) and of the support bar D (4). Secure them using hex bolt (A5), M8 nylon washer (X2) and M8 safety nut (U2) and secure themselves with hex bolt (A1), M8 nylon washer (X2) and M8 safety nut (U2).
2. Slide two leg connectors (16) to top support bar (1) and secure with hex bolt (A5), M8 nylon washer (X2) and M8 safety nut (U2).
3. Slide two leg connectors (17) to top support bar (2) and top support bar (4) and secure with hex bolt (A5), M8 nylon washer (X2) and M8 safety nut (U2). Then slide top support bar (3) to support bar (2) and secure with hex bolt (A3), M8 nylon washer (X2) and M8 safety nut (U2).



4. Insert leg upper (7) into leg connector (17) and secure with M8x65 hex bolt (A4), M8 washer (X2) and M8 nuts (U2).
5. Insert upper ladder leg (5) into leg connector (16) and secure with hex bolt (B2), M6 washer (X1) and M6 nuts (U1).
6. Attach cross bar (10) to the upper ladder leg (5) and secure with M6x40 screws (E5), M6 washer (X1) and M6 nuts (U1).



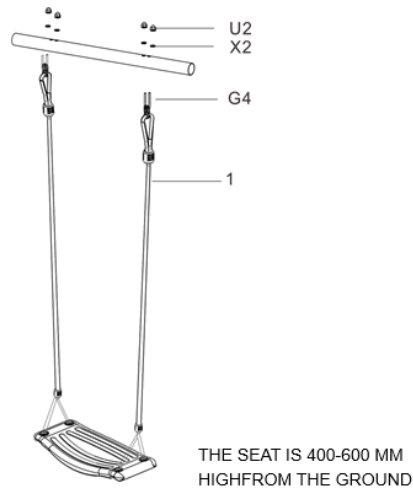
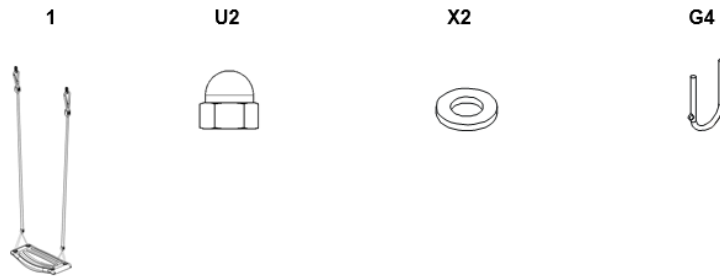
7. Attach basket assembly (15) and connect part (23) to the backboard (14). Secure with flat screw (D1), M6 nylon washer (X1) and M6 nut (U1). Then attach basketball racks (13 and 24) to the backboard (14) and secure with flat screw (D2), M6 nylon washer (X1), M6 iron washer (X3) and M6 nut (U1).
8. Insert connecting part (23) to the top support bar (4) and secure with screw (A3), M8 washer (X2) and M8 nut (U2) and then secure two racks to the top support bar with screw (A5), M8 washer (X2) and M8 nut (U2).



9. Attach crossbar (10) to lower ladder leg (6) and secure with screw (E5), M6 washer (X1) and M6 nuts (U1).
10. Insert lower leg (8) into upper leg (7) and attach side support with safety cap (9) to the upper leg (7) using hex bolt (B4), M6 washer (X1) and M6 nut (U1)
11. Insert lower ladder leg (6) into upper ladder leg (5) and attach side support with safety cap (9) to upper ladder leg (5). Secure with hex bolt (B2), M6 washer (X1) and M6 nut (U1).

SWING ACCESSORY

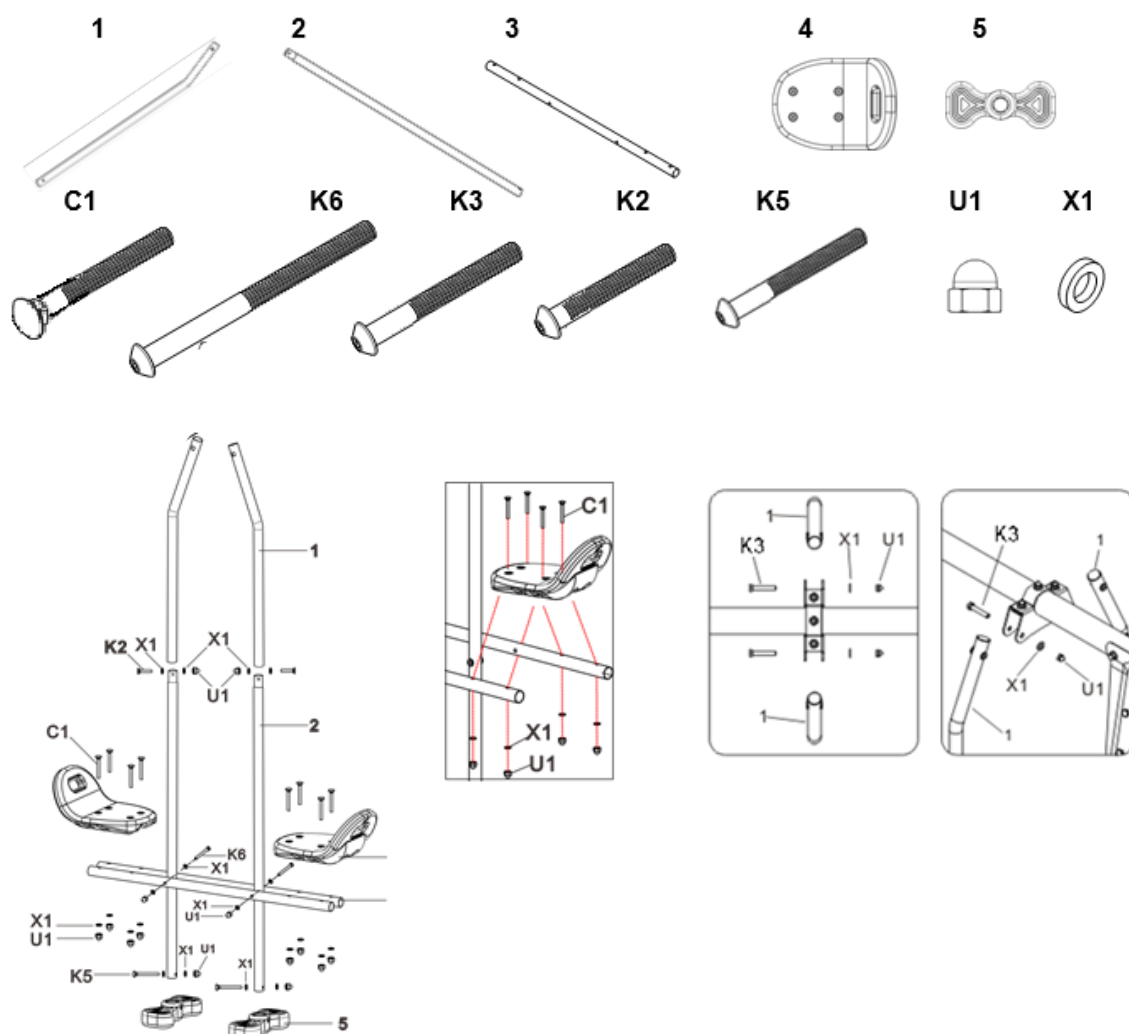
No.	Description	Qty.
1	Swing seat set	1
G4	M8 U-bolt	2
U2	M8 safety nut	4
X2	M8 Iron washer	4



- Hang swing set (1) onto U-bolt (G4). Then assemble the U-bolt to the top support bar and fasten it using safety nut (U2) and washer (X2). Ensure the swing balance and the height of the seat is from 400 to 600 mm above the ground.

RIGID SWING ACCESSORY

No.	Description	Qty.
1	Hanger tube	2
2	Tube	2
3	Seat tube	2
4	Rigid swing seat	2
5	Foot rest	2
C1	Bolt M6x45 mm	8
K6	Bolt M6x85 mm	2
K3	Bolt M6x50 mm	2
K2	Bolt M6x65 mm	2
U1	M6 safety nut	16
X1	M6 Iron washer	18
K5	Bolt M6x35 mm	2

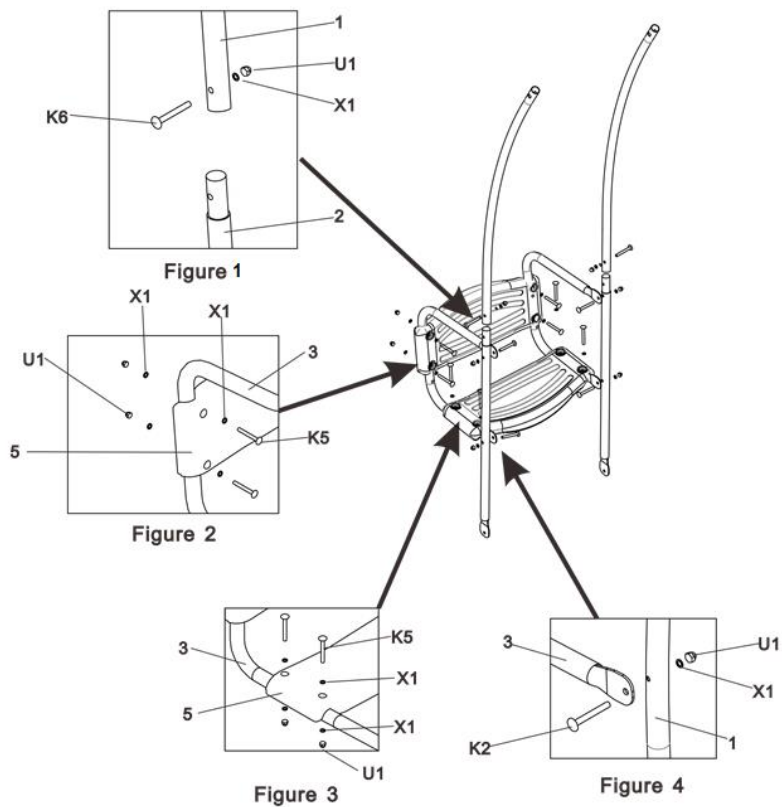
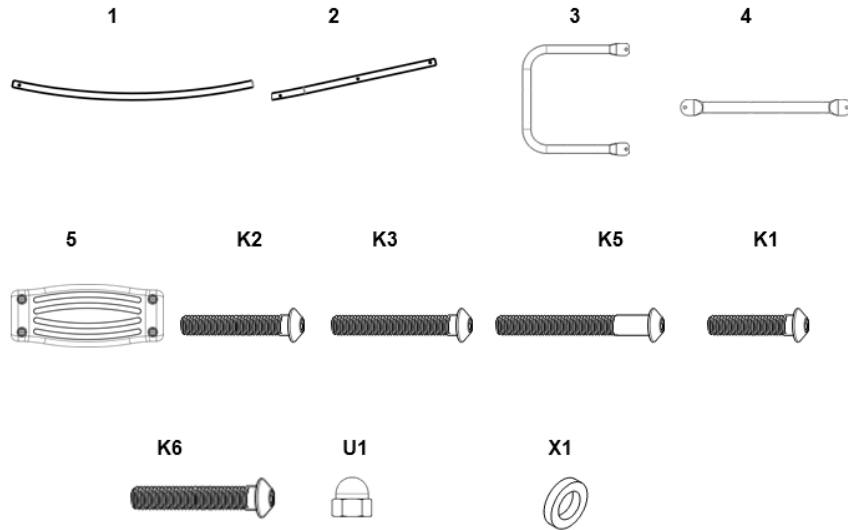


1. Attach two rigid swing seats (4) to the seat tube (3) and secure with bolt (C1), washer (X1) and M6 nuts (U1).
2. Connect the two-seat tubes (2) with seat tubes (3) and secure with bolt (K6), washer (X1) and safety nut (U1).
3. Attach two footrests (4) to the tube (2) and secure with bolt (K5), washer (X1) and M6 safety nuts (U1).
4. Connect the hanger (1) with tube (2) using screw M6 (2), metal washer M6 (X1) and safety nut M6 (U1).
5. Hang the two-seat hanger (1) onto the hanger clip of the top support bar and secure with bolt (K3), washer (X1) and M6 safety nuts (U1).

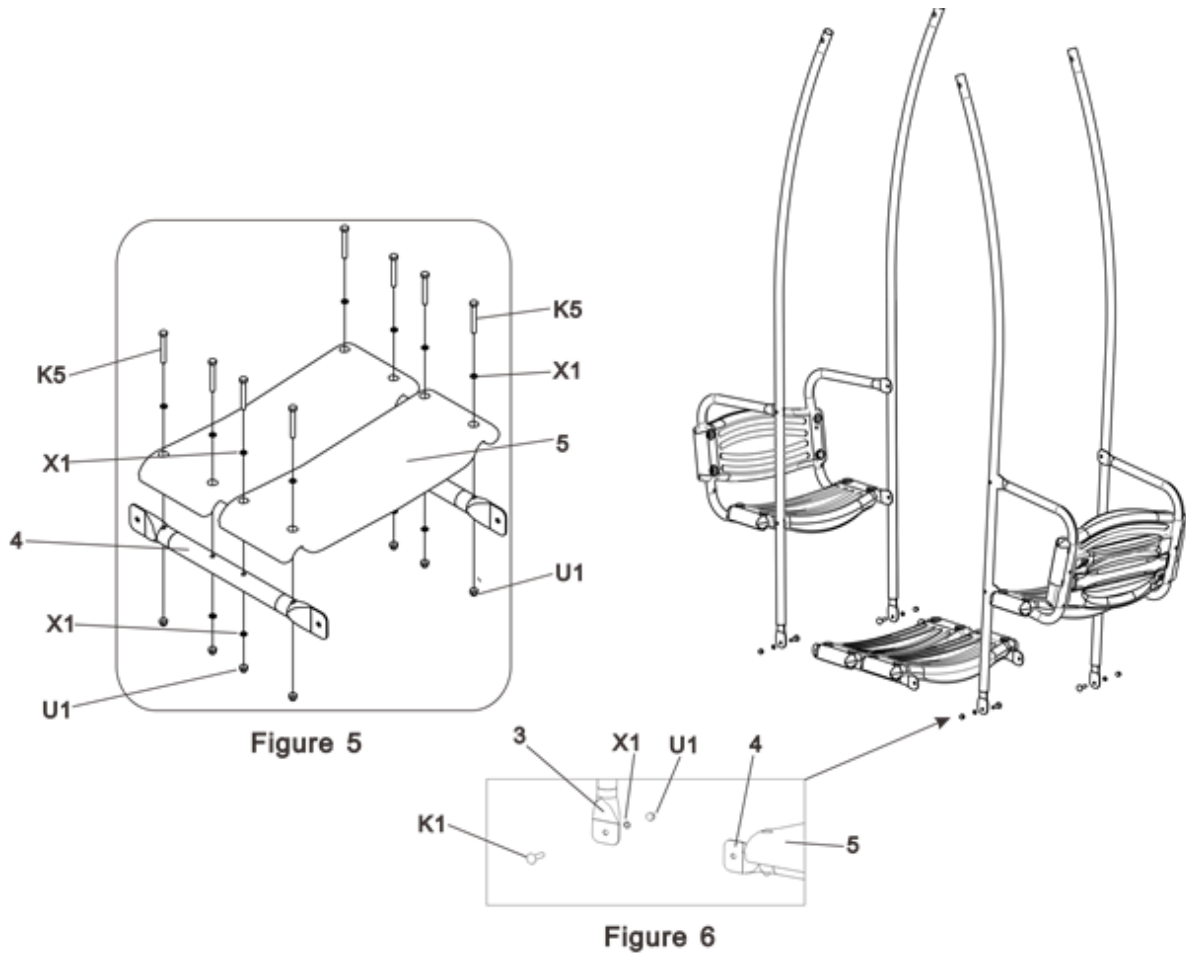
GONDOLA ACCESSORY

No.	Description	Qty.
1	Hanger	4
2	Tube	4
3	Seat tube	4
4	Fixed tube	2
5	Seat board	6

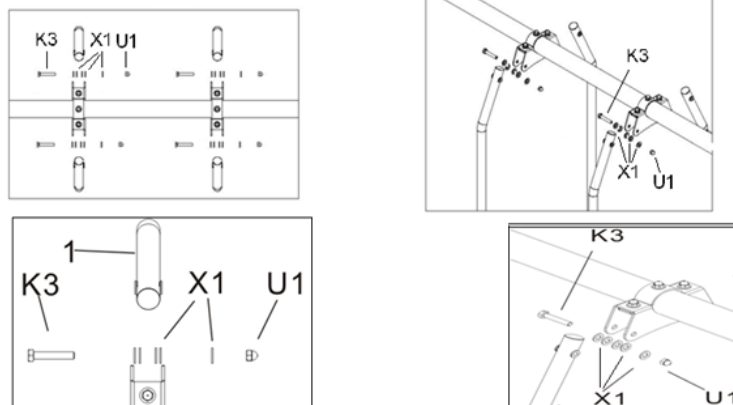
K2	Bolt M6x35 mm	8
K5	Bolt M6x50 mm	24
K1	Bolt M6x20 mm	4
K3	Bolt M6x50 mm	4
K6	Bolt M6x30 mm	4
U1	M6 Safety nut	44
X1	M6 Iron washer	84



1. Fig. 1: Attach tube (1) to the tube (2) using screw (K6), washer (X1) and nut (U1).
2. Fig. 2: Attach one seat board (5) to the seat tube (3) using bolt (K5), washer (X1) and safety nut (U1).
3. Fig. 3: Attach second seat board (5) to the seat tube (3) using bolt (K5), washer (X1) and safety nut (U1).
4. Fig. 4: Connect hanger (1) and seat tube (3) using bolt (K2), washer (X1) and safety nut (U1).
5. Attach the other side of gondola seat by the same way.



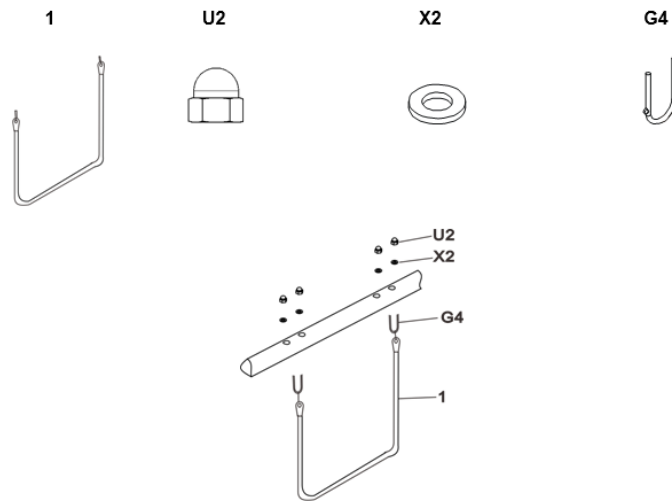
6. Fig. 5: Attach two seat boards (5) to fixed tube (4) using bolt (K5), washer (X1) and safety nut (U1).
7. Fig. 6: Connect assembled fixed tube and assembled seat tube using bolt (K1), washer (X1) and safety nut (U1). Complete the assembly.



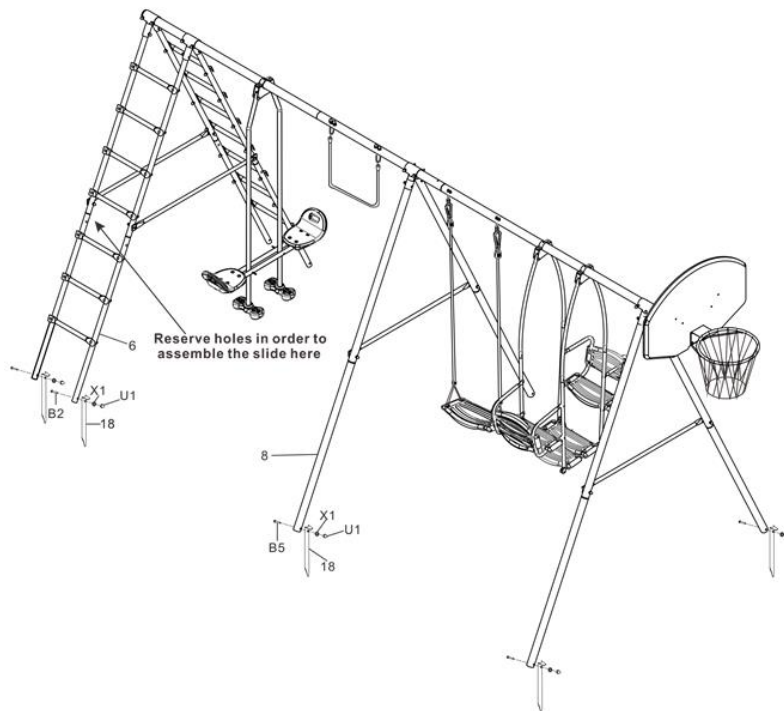
- Put the assembled seat to hanger clip of the support bar and fasten them tightly with bolt (K3), washer (X1) and safety nut (U1).

PULL-UP BAR ACCESSORY

No.	Description	Qty.
1	Pull-Up Bar	1
G4	M8 U-bolt	2
U2	M8 safety nut	4
X2	M8 Iron washer	4



- Hang the bar (1) onto U-bolt (G4). Then attach the U-bolt to the top support bar and fasten it using safety nut (U2) and washer (X2).



- Stick the J peg (18) into ground and attach it to the lower leg (8) using screw (B5), washer M6 (X1) and nut M6 (U1).
- Stick the J peg (18) into ground and attach it to the lower ladder leg (6) using screw (B2), washer M6 (X1) and nut M6 (U1).
- Complete assembly and check all bolts, nuts and components.

MAINTENANCE

This product is made of first-class materials. Keep the maintenance regularly and properly following steps below. Correct maintenance can prolong product lifespan. Pay attention of:

- Loosen or lost bolts and nuts.
- Damaged support bars.
- Bent or broken legs.
- Damaged seat.
- Damaged or worn ropes.
- Screws and sharp edges.



TERMS AND CONDITIONS OF WARRANTY, WARRANTY CLAIMS

General Conditions of Warranty and Definition of Terms

All Warranty Conditions stated hereunder determine Warranty Coverage and Warranty Claim Procedure. Conditions of Warranty and Warranty Claims are governed by Act No. 40/1964 Coll. Civil Code, Act No. 513/1991 Coll., Commercial Code, and Act No. 634/1992 Coll., Consumer Protection Act, as amended, also in cases that are not specified by these Warranty rules.

The seller is SEVEN SPORT s.r.o. with its registered office in Borivojova Street 35/878, Prague 13000, Company Registration Number: 26847264, registered in the Trade Register at Regional Court in Prague, Section C, Insert No. 116888.

According to valid legal regulations it depends whether the Buyer is the End Customer or not.

“The Buyer who is the End Customer” or simply the “End Customer” is the legal entity that does not conclude and execute the Contract in order to run or promote his own trade or business activities.

“The Buyer who is not the End Customer” is a Businessman that buys Goods or uses services for the purpose of using the Goods or services for his own business activities. The Buyer conforms to the General Purchase Agreement and business conditions to the extent specified in the Commercial Code.

These Conditions of Warranty and Warranty Claims are an integral part of every Purchase Agreement made between the Seller and the Buyer. All Warranty Conditions are valid and binding, unless otherwise specified in the Purchase Agreement, in the Amendment to this Contract or in another written agreement.

Warranty Conditions

Warranty Period

The Seller provides the Buyer a 24 months Warranty for Goods Quality, unless otherwise specified in the Certificate of Warranty, Invoice, Bill of Delivery or other documents related to the Goods. The legal warranty period provided to the Consumer is not affected.

By the Warranty for Goods Quality, the Seller guarantees that the delivered Goods shall be, for a certain period of time, suitable for regular or contracted use, and that the Goods shall maintain its regular or contracted features.

The Warranty does not cover defects resulting from (if applicable):

- User's fault, i.e. product damage caused by unqualified repair work, improper assembly, insufficient insertion of seat post into frame, insufficient tightening of pedals and cranks
- Improper maintenance
- Mechanical damages
- Regular use (e.g. wearing out of rubber and plastic parts, moving mechanisms, joints etc.)
- Unavoidable event, natural disaster
- Adjustments made by unqualified person
- Improper maintenance, improper placement, damages caused by low or high temperature, water, inappropriate pressure, shocks, intentional changes in design or construction etc.

Warranty Claim Procedure

The Buyer is obliged to check the Goods delivered by the Seller immediately after taking the responsibility for the Goods and its damages, i.e. immediately after its delivery. The Buyer must check the Goods so that he discovers all the defects that can be discovered by such check.

When making a Warranty Claim the Buyer is obliged, on request of the Seller, to prove the purchase and validity of the claim by the Invoice or Bill of Delivery that includes the product's serial number, or eventually by the documents without the serial number. If the Buyer does not prove the validity of the Warranty Claim by these documents, the Seller has the right to reject the Warranty Claim.

If the Buyer gives notice of a defect that is not covered by the Warranty (e.g. in the case that the Warranty Conditions were not fulfilled or in the case of reporting the defect by mistake etc.), the Seller is eligible to require a compensation for all the costs arising from the repair. The cost shall be calculated according to the valid price list of services and transport costs.

If the Seller finds out (by testing) that the product is not damaged, the Warranty Claim is not accepted. The Seller reserves the right to claim a compensation for costs arising from the false Warranty Claim.

In case the Buyer makes a claim about the Goods that is legally covered by the Warranty provided by the Seller, the Seller shall fix the reported defects by means of repair or by the exchange of the damaged part or product for a new one. Based on the agreement of the Buyer, the Seller has the right to exchange the defected Goods for a fully compatible Goods of the same or better technical characteristics. The Seller is entitled to choose the form of the Warranty Claim Procedures described in this paragraph.

The Seller shall settle the Warranty Claim within 30 days after the delivery of the defective Goods, unless a longer period has been agreed upon. The day when the repaired or exchanged Goods is handed over to the Buyer is considered to be the day of the Warranty Claim settlement. When the Seller is not able to settle the Warranty Claim within the agreed period due to the specific nature of the Goods defect, he and the Buyer shall make an agreement about an alternative solution. In case such agreement is not made, the Seller is obliged to provide the Buyer with a financial compensation in the form of a refund.



SEVEN SPORT s.r.o.

Registered Office:	Borivojova 35/878, 130 00 Praha 3, Czech Republic
Headquarters:	Delnicka 957, 749 01 Vitkov, Czech Republic
Warranty & Service Centre:	Cermenska 486, 749 01 Vitkov, Czech Republic
CRN:	26847264
VAT ID:	CZ26847264
Phone:	+420 556 300 970

E-mail: eshop@insportline.cz
reklamace@insportline.cz
servis@insportline.cz
Web: www.insportline.cz

SK

INSPORTLINE s.r.o.

Headquarters, Warranty & Service centre: Elektrická 6471, 911 01 Trenčín, Slovakia

CRN: 36311723

VAT ID: SK2020177082

Phone:

+421(0)326 526 701

E-mail:

objednavky@insportline.sk

reklamacie@insportline.sk

servis@insportline.sk

Web:

www.insportline.sk

Date of Sale:

Stamp and Signature of Seller: