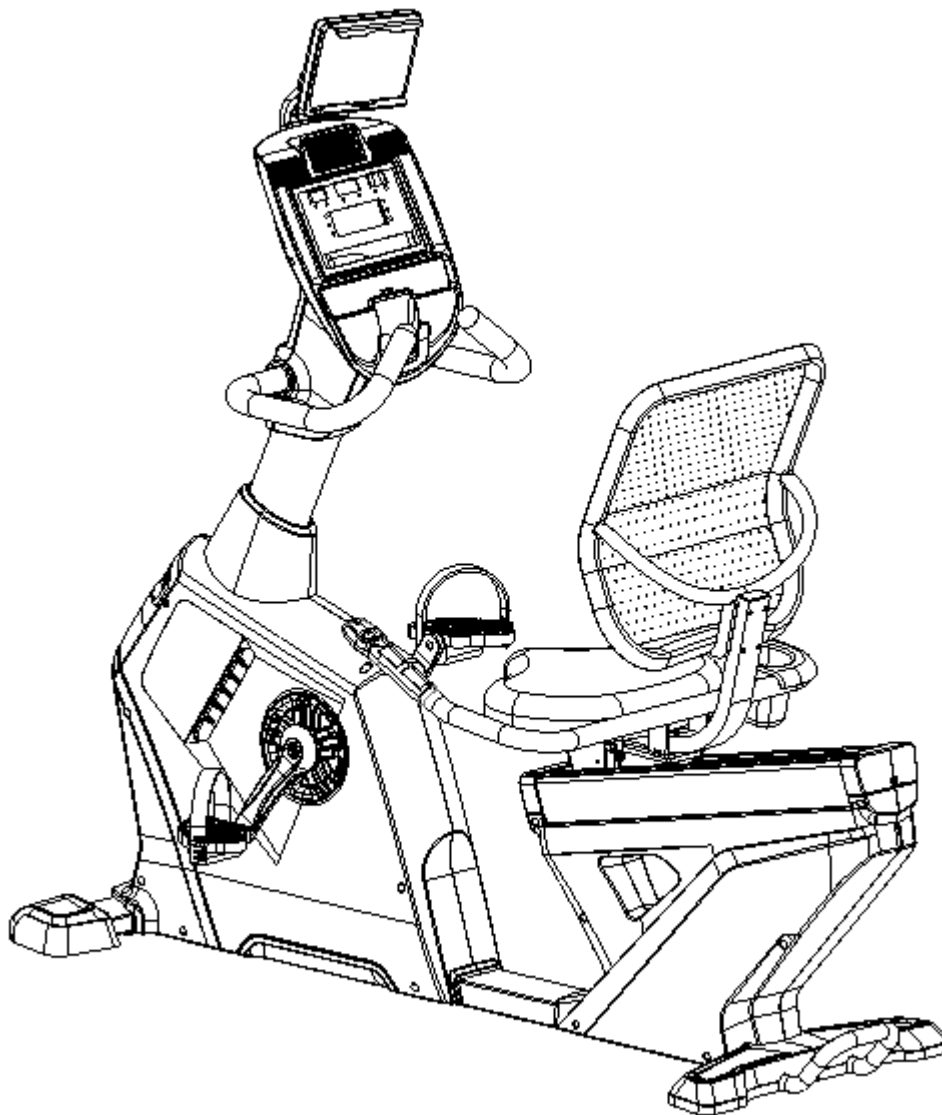




USER MANUAL – EN

IN 20215 Recumbent inSPORTline Moriston RMB



CONTENTS

- SAFETY INSTRUCTIONS..... 3
- IMPORTANT NOTES 4
- PRODUCT DECSRIPTION 4
- TECHNICAL SPECIFICATIONS 5
- ASSEMBLY 5
 - PARTS LIST FOR ASSEMBLY 5
- CONSOLE 13
- DIAGRAM 16
- PARTS LIST 17
- ADVANTAGES OF RECUMBTION..... 18
- MAINTENANCE 19
- STORAGE 19
- IMPORTANT NOTICE 19
- ENVIRONMENT PROTECTION 19
- TERMS AND CONDITIONS OF WARRANTY, WARRANTY CLAIMS..... 19

SAFETY INSTRUCTIONS

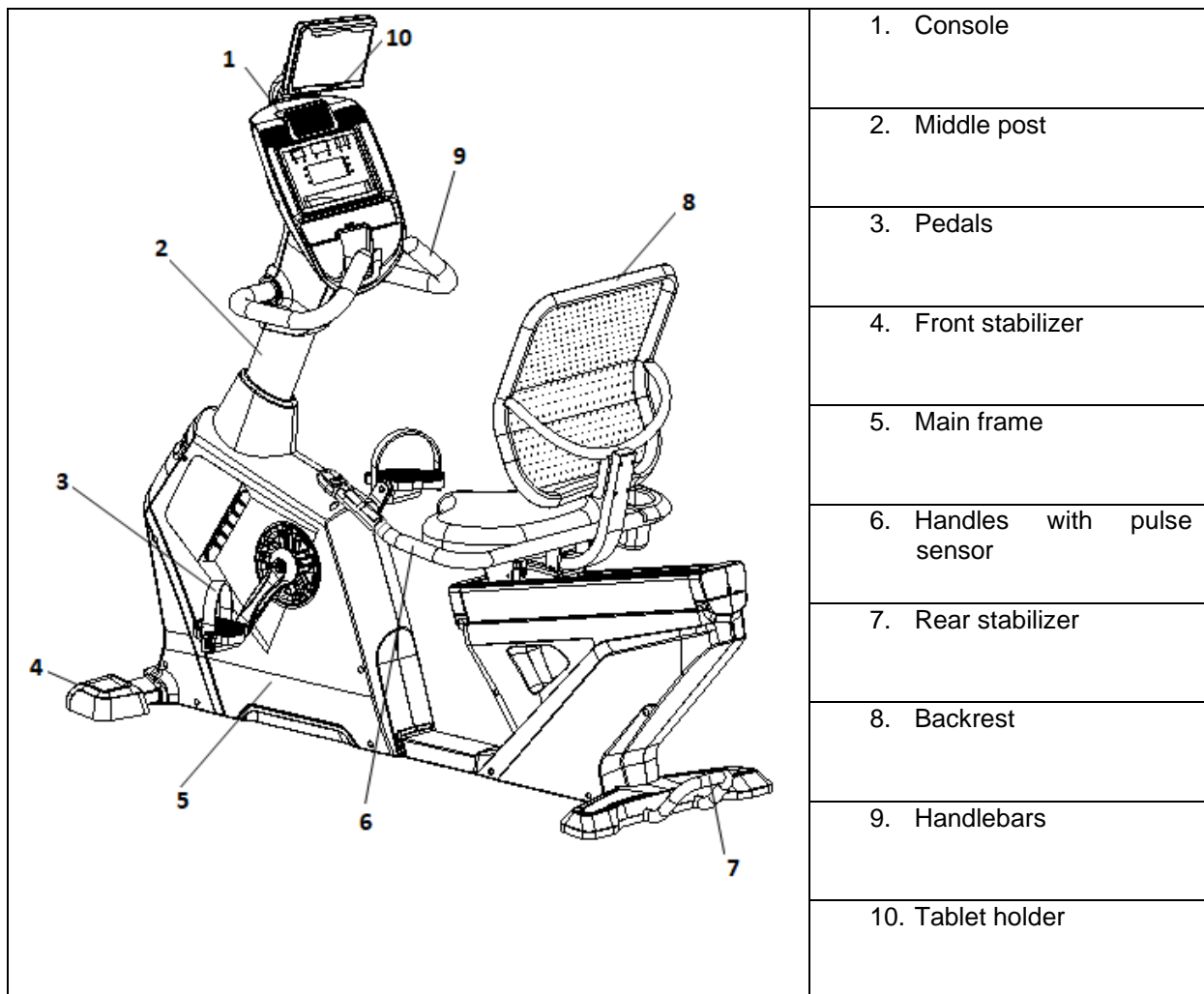
- Read the manual carefully and keep it for future references.
- To ensure the best safety of the exerciser, regularly check it on damages and worn parts.
- If you pass on this exerciser to another person or if you allow another person to use it, make sure that that person is familiar with the content and instructions in these instructions.
- Only one person should use the exerciser at a time.
- Before the first use and regularly make sure that all screws, bolts and other joints are properly tightened and firmly seated.
- Before you start your work-out, remove all sharp-edged objects around the exerciser.
- Only use the exercise for your work-out if it works flawlessly.
- Any broken, worn or defective part must immediately be replaced and/or the exerciser must no longer be used until it has been properly maintained and repaired.
- Parents and other supervisory persons should be aware of their responsibility, due to situations which may arise for which the exerciser has not been designed and which may occur due to children's natural play instinct and interest in experimenting.
- If you do allow children to use this exerciser, be sure to take into consideration and assess their mental and physical condition and development, and above all their temperament. Children should use the exerciser only under adult supervision and be instructed on the correct and proper use of the exerciser. The exerciser is not a toy.
- Make sure there is sufficient free space around the exerciser when you set it up.
- To avoid possible accidents, do not allow children to approach the exerciser without supervision, since they may use it in a way for which it is not intended due to their natural play instinct and interest in experimenting.
- Please note that an improper and excessive work-out may be harmful to your health.
- Please note that levers and other adjustment mechanisms are not projecting into the area of movement during the work-out.
- When setting up the exerciser, please make sure that the exerciser is standing in a stable way and that any possible unevenness of the floor is evened out.
- No adjustable part may protrude and limit user movement.
- Always wear appropriate clothing and shoes which are suitable for your work-out on the exerciser. The clothes must be designed in a way so that they will not get caught in any part of the exerciser during the work-out due to their form (for example, length). Be sure to wear appropriate shoes which are suitable for the work-out, firmly support the feet and which are provided with a non-slip sole.
- Be sure to consult a physician before you start any exercise program. He may give you proper hints and advice with respect to the individual intensity of stress for you as well as to your work-out and sensible eating habits.
- Class – SC according to 957 for professional and commercial use
- Max. weight limit: 150 kg

WARNING! A system for monitoring heart rate may not be accurate. Overloading during training may cause serious injury or death. If you feel any discomfort, immediately stop the exercise!

IMPORTANT NOTES

- Assemble the exerciser as per assembly instructions and be sure to only use the structural parts provided with the exerciser and designed for it. Prior to the assembly, make sure the contents of the delivery is complete by referring to the parts list of the assembly and operating instructions.
- The general rule is that exercisers and training devices are no toys. Therefore, they must only be used by properly informed or instructed persons.
- Stop your work-out immediately in case of dizziness, nausea, chest pain or any other physical symptoms. In case of doubt, consult your physician immediately.
- Children, disabled and handicapped persons should use the exercise only under supervision and in presence of another person who may give support and useful instructions.
- Be sure that your body parts and those of other persons are never close to any moving parts of the exerciser during its use.
- When adjusting the adjustable parts, make sure they are adjusted properly and note the marked, maximum adjusting position, for example of the saddle support, respectively.
- Do not work out immediately after meals!

PRODUCT DESCRIPTION



TECHNICAL SPECIFICATIONS

| | |
|-----------------------|-------------------|
| Type | OMA-R11 |
| Unfolded dimension | 1615 x 710 x 1390 |
| Maximal load capacity | 150 kg |
| Speed ratio | 308:30 |
| Load Wheel | Φ245/15 kg |
| Resistance | 0-20 |

ASSEMBLY

ASSEMBLY MATERIAL

| No. | Name | Specifications | Qty |
|-----|---|----------------|-----|
| 19 | Allen C.K.S. full thread bolt | M10x20 | 4 |
| 20 | Allen cylindrical head full thread bolt | M8x20 | 10 |
| 23 | Allen C.K.S. half thread bolt | M10x110x20 | 2 |
| 25 | Allen C.K.S. full thread bolt | M6x15 | 4 |
| 28 | Phillips pan head full thread bolt | M4x10 | 2 |
| 29 | Allen C.K.S. full thread bolt | M6x30 black | 4 |
| 36 | Phillips pan head full thread bolt | M5x15 | 5 |
| 38 | Phillips C.K.S. self-taping screw | SR4x16 | 7 |
| 41 | Flat washer | Φ8 | 3 |
| 42 | Flat washer | Φ10 | 6 |
| 43 | Spring washer | Φ8 | 3 |
| 44 | Spring washer | Φ10 | 6 |
| | L- shaped wrench | 6x66x140 | 1 |
| | L- shaped wrench | 5x40x110 | 1 |
| | Cross-shaped wrench | 14x17x75 | 1 |
| | Open end wrench | t4.0x110x32 | 1 |

PREPARATION

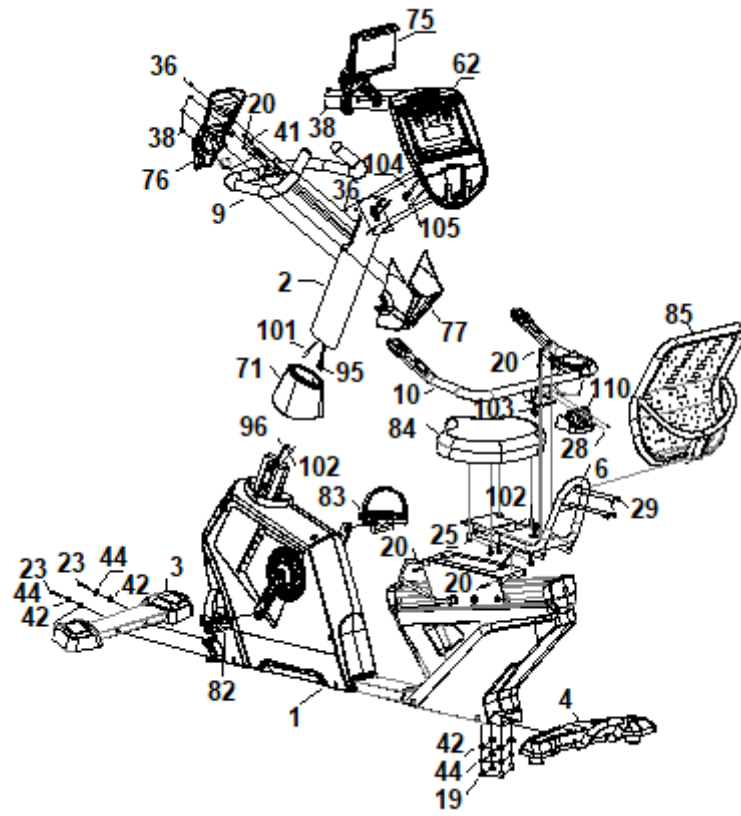
Prepare all parts and tools for clean and free space.

Follow each step of the procedure carefully.

PARTS LIST FOR ASSEMBLY

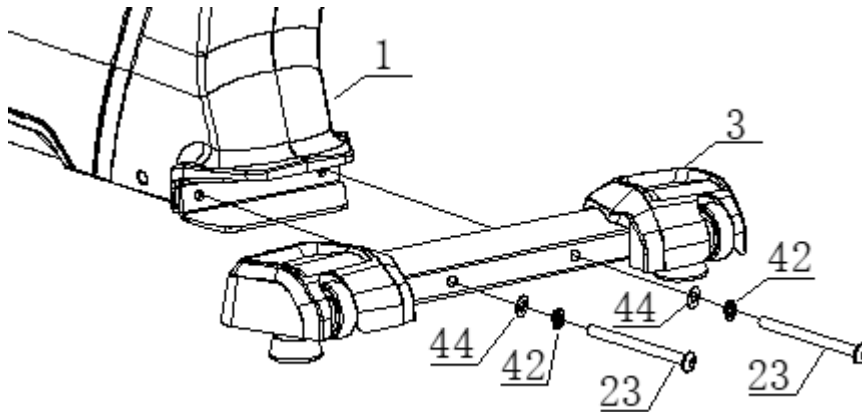
| No. | Name | Spec. | Qty. |
|-----|------------------|-------|------|
| 1 | Main frame | | 1 |
| 2 | Middle post | | 1 |
| 3 | Front stabilizer | | 1 |
| 4 | Rear stabilizer | | 1 |

| | | | |
|-----|----------------------------|---|----|
| 6 | Seat and backrest support | | 1 |
| 9 | Handlebars | | 1 |
| 10 | Pulse handles | | 1 |
| 11 | Saddle rod | | 1 |
| 19 | Allen screw | M10×20 | 4 |
| 20 | Allen screw | M8×20 | 10 |
| 23 | Allen screw | M10×110×20 | 2 |
| 25 | Allen screw | M6×15 | 4 |
| 28 | Cross grooved bolt | M4×10 | 2 |
| 29 | Allen half thread screw | M6×30(Black) | 4 |
| 36 | Screw | M5×15 | 5 |
| 38 | Screw | ST4×16 | 7 |
| 41 | Flat washer Φ8 | Φ8 | 3 |
| 42 | Flat washer Φ10 | Φ10 | 6 |
| 43 | Spring washer Φ8 | Φ8 | 3 |
| 44 | Spring washer Φ10 | Φ10 | 6 |
| 62 | Console set | LED display | 1 |
| 71 | Reinforcing cover | R11/208×128.5×143 | 1 |
| 76 | Handrail front cover | B11/289×168.5×144 | 1 |
| 77 | Rear Handle Cover | B11/312×168.5×88.7 | 1 |
| 82 | Pedal L | JD-36A(9/16 R) | 1 |
| 83 | Pedal R | JD-36A(9/16 L) | 1 |
| 84 | Seat | ST-169 cushion | 1 |
| 85 | Backrest | SB-R7.4 | 1 |
| 95 | Column Communication Cable | B11/L-800mm | 1 |
| 96 | Frame communication cable | B11/L-800mm | 1 |
| 101 | Column cable | R11/L-800mm | 1 |
| 102 | Pulse Sensor Cable - 2 | R11/L-2400mm/3.5 audio with 200mm cable | 1 |
| 103 | Pulse Sensor Cable - 4 | R11/L-900mm/2PIN*2+3.5audio | 1 |
| 104 | Console cable | | 1 |
| 105 | Console Pulse Sensor Cable | | 1 |
| 109 | Tablet holder | | 1 |
| 110 | Pulse wire cover | R11-V2/127x65x85 | 1 |



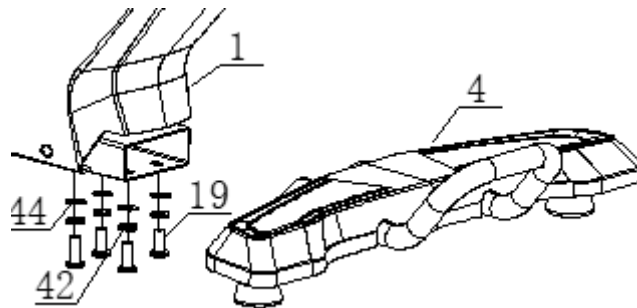
STEP 1

Attach the front stabilizer (3) to the main frame (1) using a flat washer (42), spring washer (44) and bolt (23).



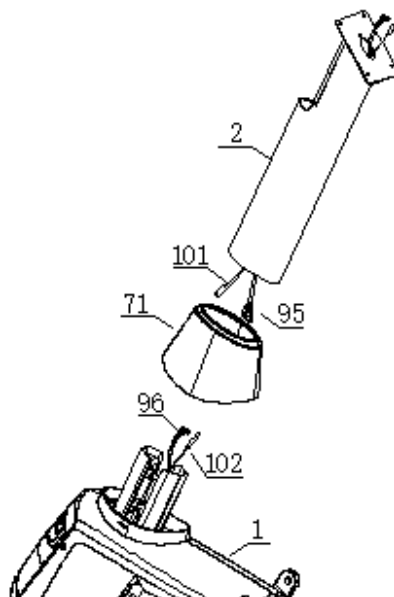
STEP 2

Attach the rear stabilizer (4) to the main frame (1) using a flat washer (42), spring washer (44), and bolt (19).



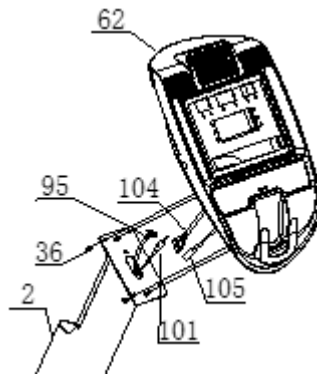
STEP 3

Attach the cover (71) to the middle post (2) and then connect the communication cables (96, 101) with the pulse cables from the handlebars (95, 102) from the middle post (2) and the main frame (1). Then attach the middle post (2) to the main frame (1) with pre-installed bolt on the main frame.



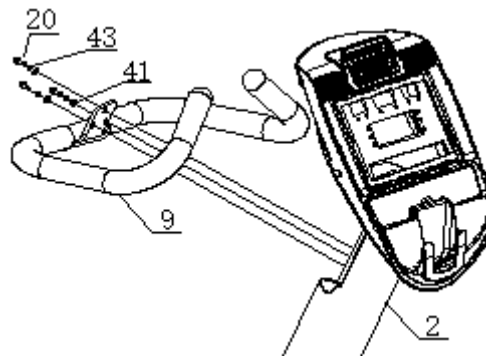
STEP 4

Connect the communication cables (95, 104) to the handle pulse cables (101, 105).
Attach the console (62) to the middle post (2) with the screws (36).



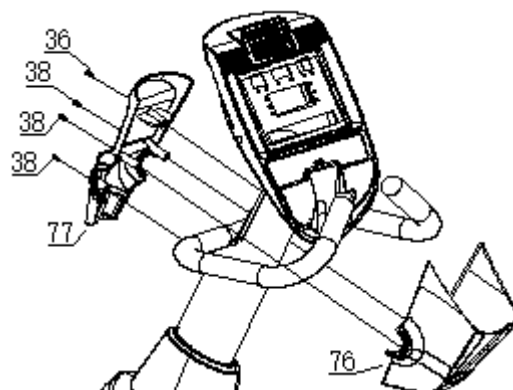
STEP 5

Attach the handlebars (9) to the middle post (2) using a flat washer (41), spring washer (43) and screw (20).



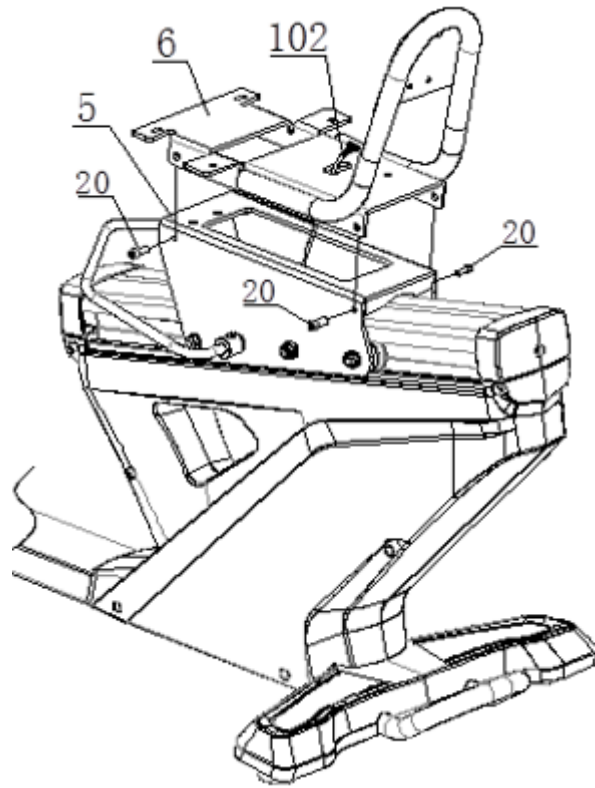
STEP 6

Attach the handle grips (77, 76) to the middle pillar (2) with the screw (38 and 36).



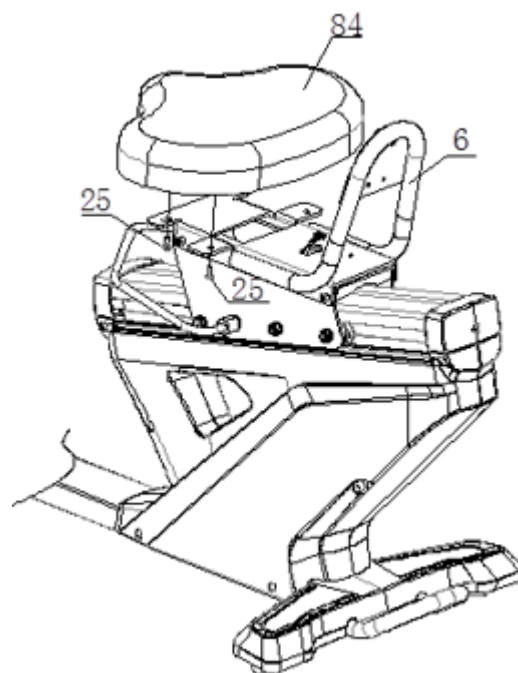
STEP 7

Prepare seat holder assembly (6). First pass the heart beat connection cable (102) through seat holder assembly (6) and then attach seat holder assembly (6) to the slider (5) with bolts (20) according to the picture.



STEP 8

Attach seat (84) to the seat holder (6) with bolts (25).

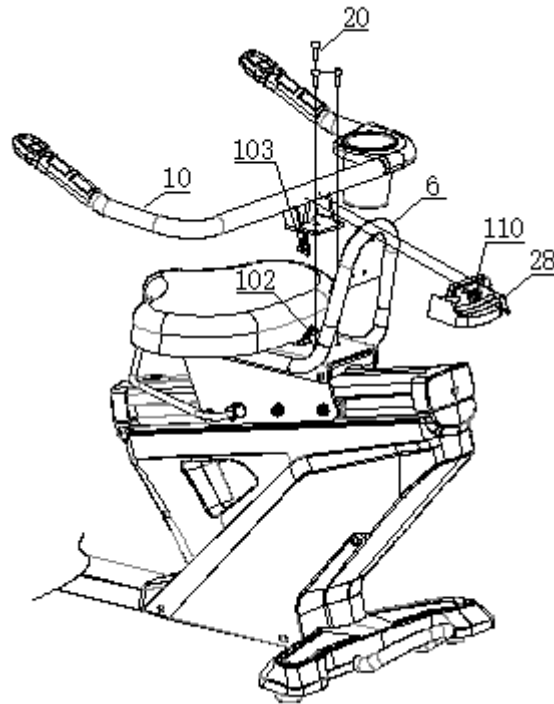


STEP 9

Connect cables (102 and 103).

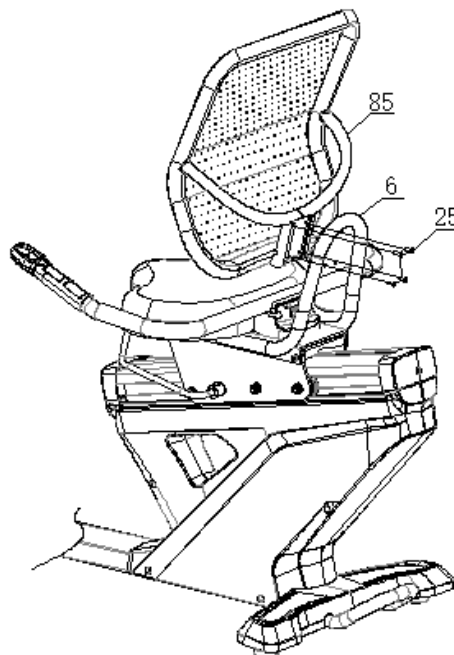
After you connected the cables attach the handlebars with pulse sensors (10) to the seat holder (6) with bolts (20).

Attach handlebars covers (110) with bolts (28)



STEP 10

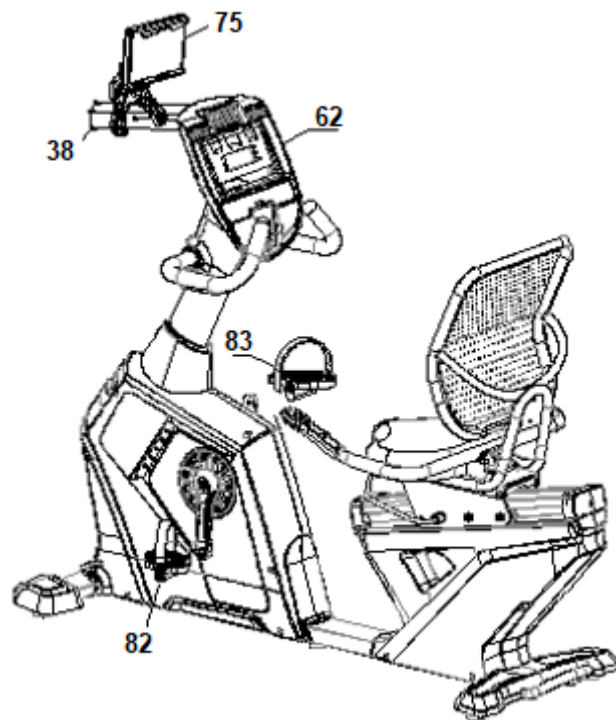
Attach the backrest (85) to the seat holder (6) with bolts (25).



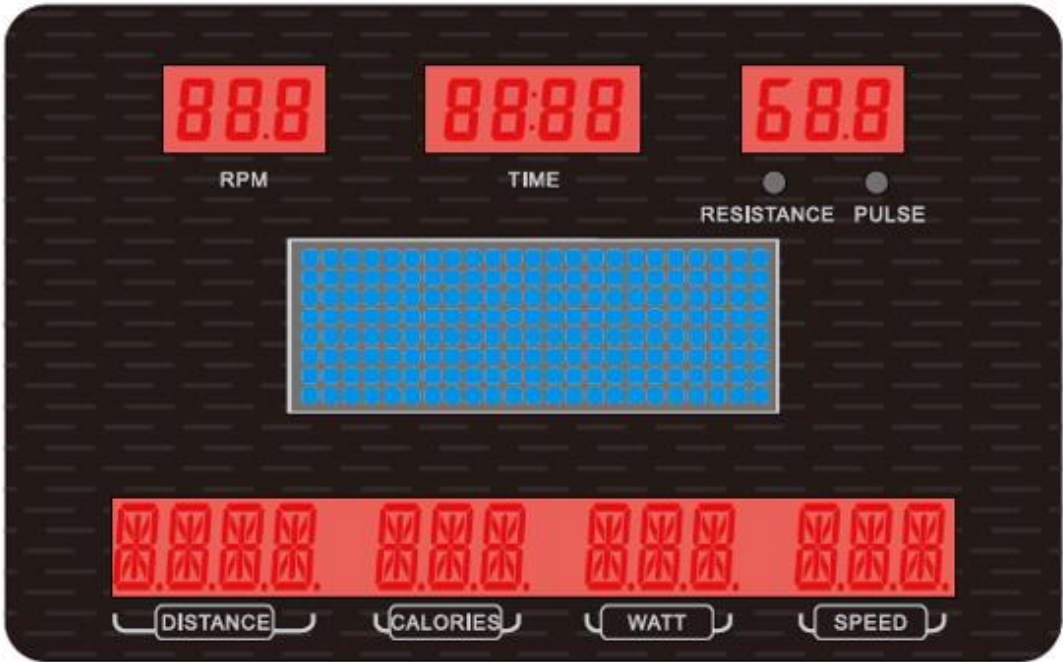
STEP 11

Attach the L (82) and R (83) pedal to the main frame.

Attach tablet holder (75) to the console (62) with screws (38).



CONSOLE



BUTTONS

| | |
|-------------------------|---|
| START / STOP | Starts or stops the program |
| RESET | Press to return to the main menu while the program is paused Hold down for 5 seconds to reset the system Press to return to the previous value in the setting |
| MODE | Press to set or adjust the value Press to change the displayed data during the program |
| RESISTANCE + / - | Press to increase or decrease the value, hold down to speed up When running a program, you increase or decrease the value by 1 level |
| PROGRAM | Select a program in standby mode |
| RECOVERY | Heart rate test |
| BODY FAT | Body Fat Test |
| FAN KEY | Turning on / off the fan |

DISPLAY

| | |
|-------------------------|---|
| TIME | Display: 0:00–99:99, set: 0:00 – 99:00 min |
| DISTANCE | Display: 0.0–99.99, set: 0,0 – 99,99 km |
| CALORIES | Display: 0–999 Cal, set: 0-999 Cal |
| SPEED | Display: 0,0–99,9 Km/h, mil/h |
| RESISTANCE LEVEL | Set 1–20 |
| PULSE | Display: 40–220 |
| WEIGHT | Set 30–150 kg, default value 70 kg for the metric system Set 40–400 liber, default value 155 liber for imperial system |
| HEIGHT | Set 90–210 cm |
| AGE | Set 10–99 |
| RPM | Set 0–999 |

Turning on

When turned on, a sound signal will sound, and all information will be displayed for 2 seconds. RPM displays the load wheel diameter 78, TIME displays the total time, DISTANCE displays the total distance. Then it enters standby mode.

Standby Mode

In standby mode, press START / STOP to start the quick program. The console will store the data.

To start the program, press the PROGRAM button.

PROGRAM SELECTION

In standby mode, press PROGRAM, then select one of the programs: MANUAL, PROGRAM / USER, PROGRAM / HRC. Press MODE to confirm.

MANUAL MODE

Press the PROGRAM button in the main menu and select MANUAL MODE (RPM window displays P00). Press the START button to start the program or press the MODE and RESISTANCE +/- buttons to set AGE, WEIGHT, TIME, DISTANCE, CALORY. Then start the program with the START / STOP button. The console stores data.

USER PROGRAM MODE

Press the PROGRAM button in the main menu and select USER PROGRAM MODE (RPM window displays P01-P12). Select one of the programs and use the START button to start the program or press MODE and RESISTANCE +/- to set AGE, WEIGHT, TIME. Then start the program with the START / STOP button. The console stores data.

HRC PROGRAM

Press the PROGRAM button in the main menu and select HRC MODE (RPM window will display H01-H03). Select one of the HRC programs and use the START button to start the program or press MODE and RESISTANCE +/- to set AGE, WEIGHT, TIME, and THR (target heart rate). Then start the program with the START / STOP button. The console stores data.

BODY FAT MODE

Press the BODY FAT button in the main menu (MW window displays FOD FAT). Use the MODE and RESISTANCE +/- buttons to set AGE, WEIGHT, HEIGHT. Then start the program with the START / STOP button.

Hold the pulse plates during the test. The console starts receiving a pulse signal for 10 seconds. Then the test starts for 25 seconds. No more features will be displayed.

The TIME window starts counting down 10 seconds, the PULSE window displays the current heart rate and the MW window displays TESTING. If the console records the heart rate within 10 seconds, the test runs for 25 seconds. TIME displays countdown 0:25, PULSE displays heart rate and MW displays BODY FAT.

Use the BODY FAT button to return to the main menu after the test.

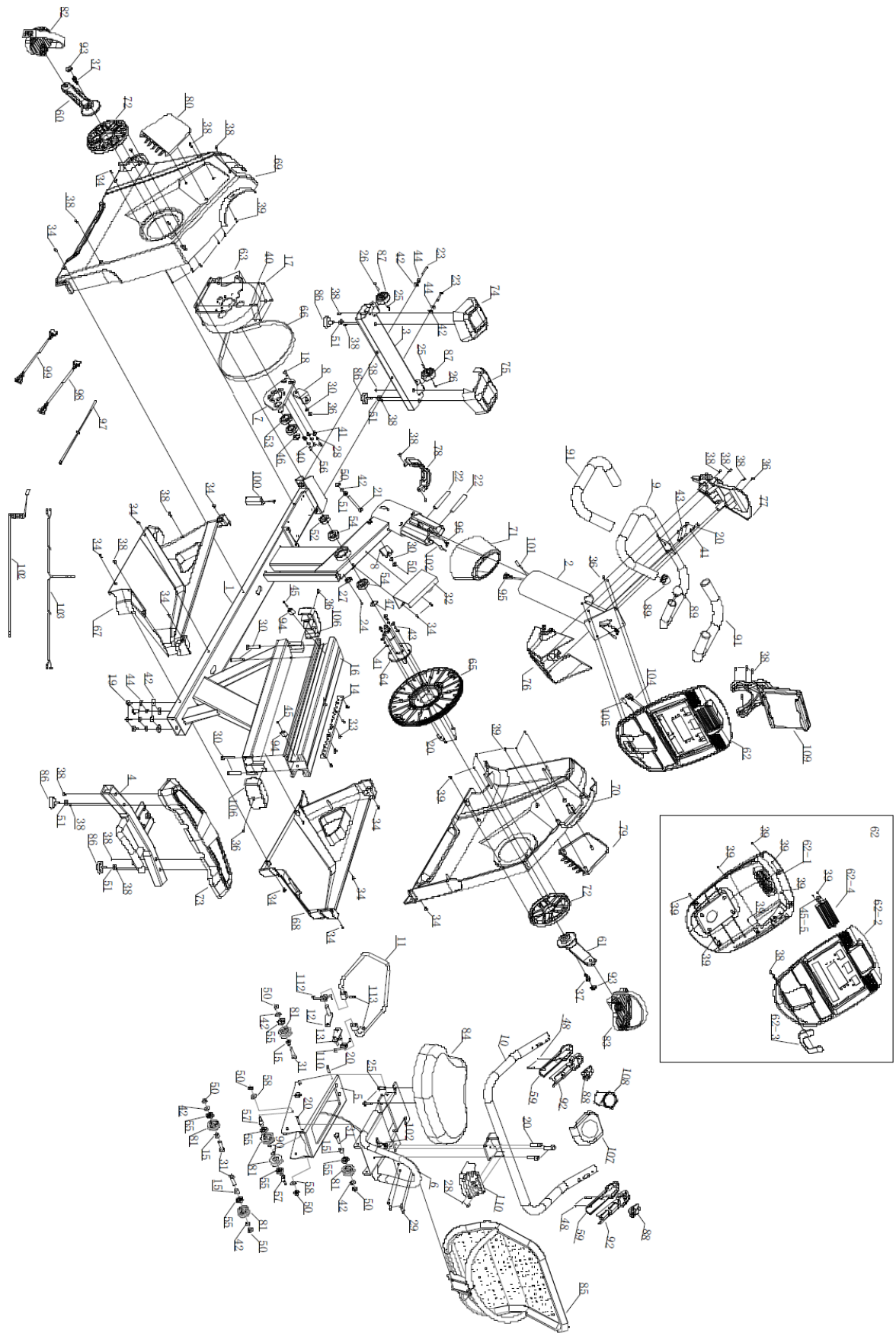
RECOVERY PROGRAM

Press RECOVERY to start RECOVERY MODE. The console starts receiving a pulse signal for 10 seconds. Then the test starts for 60 seconds. No more features will be displayed. The TIME window starts counting down 10 seconds, the PULSE window displays the current heart rate and the MW window displays TESTING. If the console records the heart rate within 10 seconds, the test runs for 60 seconds. TIME displays countdown 0:60, PULSE displays heart rate and MW displays RECOVERY.

After the DM countdown, the FX will display FX (X = 1-6). Use RECOVERY button to return to main menu after test.

| | |
|----|-----------|
| F1 | Excellent |
| F2 | Very good |
| F3 | Good |
| F4 | Average |
| F5 | Bad |
| F6 | Very bad |

DIAGRAM



PARTS LIST

| No. | Name | Qty. | No. | Name | Qty. |
|-----|-------------------------------|------|-----|--------------------------|------|
| 1 | Main frame | 1 | 37 | Screw 5/16-18UNC-1" | 2 |
| 2 | Middle post | 1 | 38 | Screw ST4×16 | 24 |
| 3 | Front stabilizer | 1 | 39 | Screw ST4×10 | 23 |
| 4 | Rear stabilizer | 1 | 40 | Flat washer Φ6 | 7 |
| 5 | Seat and backrest slider | 1 | 41 | Flat washer Φ8 | 7 |
| 6 | Seat and backrest support | 1 | 42 | Flat washer Φ10 | 12 |
| 7 | Load wheel flange | 2 | 43 | Spring washer Φ8 | 7 |
| 8 | Console | 3 | 44 | Spring washer Φ10 | 6 |
| 9 | Handlebars | 1 | 45 | Allen screw M6×20 | 4 |
| 10 | Pulse handles | 1 | 46 | Shaft Retaining Ring Φ20 | 1 |
| 11 | Saddle rod | 1 | 47 | Shaft Retaining Ring Φ25 | 1 |
| 12 | Slide seat adjustable set - L | 1 | 48 | Screw ST3×25 | 4 |
| 13 | Slide seat adjustable set - R | 1 | 49 | Nut M8 | 4 |
| 14 | Magnet holder | 1 | 50 | Nut M10 | 8 |
| 15 | Cover Φ 16 x Φ 10 x 14 | 4 | 51 | Nut M10 | 5 |
| 16 | Aluminum rails | 1 | 52 | Nut M24×P1.5 | 1 |
| 17 | Allen screw M6×10 | 4 | 53 | Bearing 6004ZZ | 2 |
| 18 | Allen screw M10×25 | 1 | 54 | Bearing 6005ZZ | 2 |
| 19 | Allen screw M10×20 | 4 | 55 | Bearing 6001ZZ | 6 |
| 20 | Allen screw M8×20 | 14 | 56 | Screw | 3 |
| 21 | Allen screw M10×130×35 | 1 | 57 | Eccentric shaft Φ14x45 | 2 |
| 22 | Allen screw M12×70 | 2 | 58 | Pulley adjust plate | 2 |
| 23 | Allen screw M10×110×20 | 2 | 59 | Pulse sensor cap | 2 |
| 24 | Allen screw M8×15 | 2 | 60 | Crank L | 1 |
| 25 | Allen screw M6×15 | 6 | 61 | Crank R | 1 |
| 26 | Allen screw Φ8×33×M6×15 | 2 | 62 | Console set | 1 |
| 27 | Magnetic fixed seat | 1 | 63 | Generator | 1 |
| 28 | Cross grooved bolt M4x10 | 2 | 64 | Pulley axle | 1 |
| 29 | Allen half thread screw M6x30 | 4 | 65 | Pulley | 1 |
| 30 | Allen screw M8×45×20 | 4 | 66 | Engine belt | 1 |
| 31 | Screw M10x40x20 | 3 | 67 | Seat Cover L | 1 |
| 32 | Controller B11 | 1 | 68 | Saddle cover R | 1 |
| 33 | Allen bolt M6x10 | 5 | 69 | Outer cover L | 1 |
| 34 | Screw M5×15 | 12 | 70 | Outer cover R | 1 |
| 35 | Screw M5×20 | 3 | 71 | Reinforcing cover | 1 |
| 36 | Screw M5×15 | 7 | 72 | Crank cover | 2 |

| | | | | | |
|----|----------------------------|---|------|------------------------------------|---|
| 73 | Rear stabilizer cover | 1 | 98 | Brake cable | 1 |
| 74 | Front stabilizer cover L | 1 | 99 | Magnet cable | 1 |
| 75 | Front stabilizer cover R | 1 | 100 | Battery | 1 |
| 76 | Handrail front cover | 1 | 101 | Column cable | 1 |
| 77 | Rear Handle Cover | 1 | 102 | Pulse Sensor Cable - 2 | 1 |
| 78 | Outside rear cover | 1 | 103 | Pulse Sensor Cable - 4 | 1 |
| 79 | Cover R | 1 | 104 | Console cable | 1 |
| 80 | Cover L | 1 | 105 | Console Pulse Sensor Cable | 1 |
| 81 | Wheel | 6 | 106 | Aluminum Track Caps | 2 |
| 82 | Pedal L | 1 | 107 | Bottle holder | 1 |
| 83 | Pedal R | 1 | 108 | Bottle | 1 |
| 84 | Seat | 1 | 109 | Tablet holder | 1 |
| 85 | Backrest | 1 | 110 | Pulse wire cover | 1 |
| 86 | Leveling feet | 4 | 111 | Spring 1 $\Phi 20 \times \Phi 3.5$ | 1 |
| 87 | Transport wheels | 2 | 112 | Spring 2 $\Phi 20 \times \Phi 3.5$ | 1 |
| 88 | Load control | 2 | 113 | Allen bolt M6x15 | 2 |
| 89 | Cover | 2 | 62-1 | Lower console cover | 1 |
| 90 | Cover | 1 | 62-3 | Tablet holder | 1 |
| 91 | Foam roller | 2 | 62-5 | Display | 2 |
| 92 | Pulse Sensor | 2 | 62-2 | Console top cover | 1 |
| 93 | Set of handle caps | 2 | 62-4 | Air outlet | 1 |
| 94 | Stop | 2 | | | |
| 95 | Column Communication Cable | 1 | | | |
| 96 | Frame communication cable | 1 | | | |
| 97 | Magnetic sensor | 1 | | | |

ADVANTAGES OF RECUMBITION

Recumbents are an excellent choice when it comes to stabilizing the lumbar back of your back, as you sit back while training on exercise bike you bend forward. Recumbent therefore supports better body holding.

Recumbents are also more favorable to your joints. The bottom of the back is laid on a large, stable saddle, and your knees and ankles are protected from possible injury.

The fact that the saddle is larger is often the biggest difference compared to classical exercise bike. Just the comfort of sitting is the difference that everyone who experiences this type of exercise bike will feel.

Recumbent is also a good option for most people with neurological disorders. If your back or joints suffer from rheumatoid arthritis, recumbent may be the best solution for you because of the weight distribution of your body.

MAINTENANCE

- Clean with a soft cloth and a non-aggressive cleaner.
- Do not use aggressive cleaning agents.
- Only wipe the electrical parts with a cloth. Avoid contact with water.

STORAGE

Keep the recumbent in a clean and dry environment. Make sure the power switch is turned off and the exercise bike is not plugged into the power socket.

IMPORTANT NOTICE

- This exercise bike comes with standard safety regulations and is suitable for professional and commercial use. Any other use is prohibited and may be dangerous to users. We are not responsible for any injury caused by improper and forbidden use of the machine.
- Consult your doctor before starting training on the exercise bike. Your doctor should evaluate whether you are physically fit to use the machine and how much effort you are able to undergo. Incorrect exercise or switching of the body can harm your health.
- Carefully read the following tips and exercises. If you experience pain, nausea, breathing, or other health problems during exercise, immediately stop the exercise. If the pain persists, contact your doctor immediately.
- This exercise bike is not suitable for medical purposes. It can also not be used for healing purposes.
- The heart rate monitor is not a medical device. It provides only approximate information about your average heart rate, and any suggested pulse rate is not medically binding. Accumulated data may not always be accurate regarding uncontrollable human and environmental factors.

ENVIRONMENT PROTECTION

After the product lifespan expired or if the possible repairing is uneconomic, dispose it according to the local laws and environmentally friendly in the nearest scrapyard.

By proper disposal you will protect the environment and natural sources. Moreover, you can help protect human health. If you are not sure in correct disposing, ask local authorities to avoid law violation or sanctions.

Don't put the batteries among house waste but hand them in to the recycling place.

TERMS AND CONDITIONS OF WARRANTY, WARRANTY CLAIMS

General Conditions of Warranty and Definition of Terms

All Warranty Conditions stated here under determine Warranty Coverage and Warranty Claim Procedure. Conditions of Warranty and Warranty Claims are governed by Act No. 89/2012 Coll. Civil Code, and Act No. 634/1992 Coll., Consumer Protection, as amended, also in cases that are not specified by these Warranty rules.

The seller is SEVEN SPORT s.r.o. with its registered office in Strakonická street 1151/2c, Prague 150 00, Company Registration Number: 26847264, registered in the Trade Register at Regional Court in Prague, Section C, Insert No. 116888.

According to valid legal regulations it depends whether the Buyer is the End Customer or not.

“The Buyer who is the End Customer” or simply the “End Customer” is the legal entity that does not conclude and execute the Contract in order to run or promote his own trade or business activities.

“The Buyer who is not the End Customer” is a Businessman that buys Goods or uses services for the purpose of using the Goods or services for his own business activities. The Buyer conforms to the General Purchase Agreement and business conditions.

These Conditions of Warranty and Warranty Claims are an integral part of every Purchase Agreement made between the Seller and the Buyer. All Warranty Conditions are valid and binding, unless otherwise specified in the Purchase Agreement, in the Amendment to this Contract or in another written agreement.

Warranty Conditions

Warranty Period

The Seller provides the Buyer a 24 months Warranty for Goods Quality, unless otherwise specified in the Certificate of Warranty, Invoice, Bill of Delivery or other documents related to the Goods. The legal warranty period provided to the Consumer is not affected.

By the Warranty for Goods Quality, the Seller guarantees that the delivered Goods shall be, for a certain period of time, suitable for regular or contracted use, and that the Goods shall maintain its regular or contracted features.

The Warranty does not cover defects resulting from (if applicable):

- User’s fault, i.e. product damage caused by unqualified repair work, improper assembly, insufficient insertion of seat post into frame, insufficient tightening of pedals and cranks
- Improper maintenance
- Mechanical damages
- Regular use (e.g. wearing out of rubber and plastic parts, moving mechanisms, joints, wear of brake pads/blocks, chain, tires, cassette/multi wheel etc.)
- Unavoidable event, natural disaster
- Adjustments made by unqualified person
- Improper maintenance, improper placement, damages caused by low or high temperature, water, inappropriate pressure, shocks, intentional changes in design or construction etc.

Warranty Claim Procedure

The Buyer is obliged to check the Goods delivered by the Seller immediately after taking the responsibility for the Goods and its damages, i.e. immediately after its delivery. The Buyer must check the Goods so that he discovers all the defects that can be discovered by such check.

When making a Warranty Claim the Buyer is obliged, on request of the Seller, to prove the purchase and validity of the claim by the Invoice or Bill of Delivery that includes the product’s serial number, or eventually by the documents without the serial number. If the Buyer does not prove the validity of the Warranty Claim by these documents, the Seller has the right to reject the Warranty Claim.

If the Buyer gives notice of a defect that is not covered by the Warranty (e.g. in the case that the Warranty Conditions were not fulfilled or in the case of reporting the defect by mistake etc.), the Seller is eligible to require a compensation for all the costs arising from the repair. The cost shall be calculated according to the valid price list of services and transport costs.

If the Seller finds out (by testing) that the product is not damaged, the Warranty Claim is not accepted. The Seller reserves the right to claim a compensation for costs arising from the false Warranty Claim.

In case the Buyer makes a claim about the Goods that is legally covered by the Warranty provided by the Seller, the Seller shall fix the reported defects by means of repair or by the exchange of the damaged part or product for a new one. Based on the agreement of the Buyer, the Seller has the right to exchange the defected Goods for a fully compatible Goods of the same or better technical characteristics. The Seller is entitled to choose the form of the Warranty Claim Procedures described in this paragraph.

The Seller shall settle the Warranty Claim within 30 days after the delivery of the defective Goods, unless a longer period has been agreed upon. The day when the repaired or exchanged Goods is handed over to the Buyer is considered to be the day of the Warranty Claim settlement. When the Seller is not able to settle the Warranty Claim within the agreed period due to the specific nature of the Goods defect, he and the Buyer shall make an agreement about an alternative solution. In case such agreement is not made, the Seller is obliged to provide the Buyer with a financial compensation in the form of a refund.

CZ
SEVEN SPORT s.r.o.

Registered Office: Strakonická 1151/2c, Praha 5, 150 00, ČR
Headquarters: Dělnická 957, Vítkov, 749 01
Warranty & Service: Čermenská 486, Vítkov 749 01

CRN: 26847264
VAT ID: CZ26847264

Phone: +420 556 300 970
E-mail: eshop@insportline.cz
reklamace@insportline.cz
servis@insportline.cz

Web: www.inSPORTline.cz

SK
inSPORTline s.r.o.

Headquarters, warranty & service center: Električná 6471, Trenčín 911 01, SK

CRN: 36311723
VAT ID: SK2020177082

Phone: +421(0)326 526 701
E-mail: objednavky@insportline.sk
reklamacie@insportline.sk
servis@insportline.sk

Web: www.inSPORTline.sk