



USER MANUAL – EN

IN 20148 Boxing Trainer inSPORTline SB2135



CONTENTS

SAFETY INSTRUCTIONS..... 3
TECHNICAL SPECIFICATIONS 3
ASSEMBLY 3
USE 6
MAINTENANCE 6
STORAGE 6
ENVIRONMENT PROTECTION 6
TERMS AND CONDITIONS OF WARRANTY, WARRANTY CLAIMS..... 7

SAFETY INSTRUCTIONS

- Rad the manual carefully before first use and keep it for future reference.
- Consult your physician before starting workout. The consent of the doctor is recommended if you are planning intensive training or had / are experiencing health complications.
- The handicapped person may only use the trainer under the supervision of an adult and responsible person.
- Wear suitable sports clothing including shoes.
- If you experience nausea, dizziness, muscle or joint pain, stop your workout immediately and consult your doctor before using it again
- Keep the trainer out of reach of children or pets
- Can only use one person at the same time.
- Make sure the product is not damaged or worn before use. You can use a protective mat under the trainer to protect the floor. For safety reasons, there must be a free space of min. 0,6 m.
- Keep limbs and fingers away from moving joints. Do not insert foreign objects into the holes.
- Use the product only for the purpose for which it was assembled.
- Use only original spare parts, otherwise do not modify or modify the product.
- For indoor use only. If the base is filled with water, the storage temperature must be above the freezing point.
- Category H (according to EN957) for home use

The device is not intended for persons (including children) with reduced physical, sensory or mental capacity.

TECHNICAL SPECIFICATIONS

- Outer material: abrasion-resistant PU fabric
- Inner material: foam filling
- Base material: ABS plastic
- Dimensions: width 35 x height 165 cm
- Weight (with base empty): 10 kg
- Base diameter: 55cm

ASSEMBLY

STEP 1

Fill the base with water. You can use a garden hose or funnel.



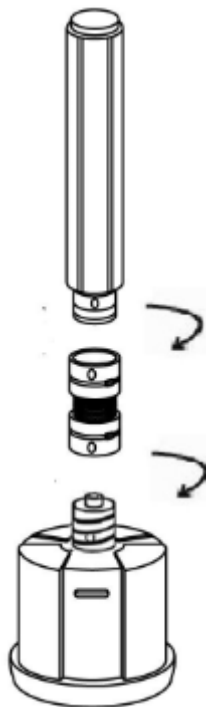
STEP 2

Screw in the base.



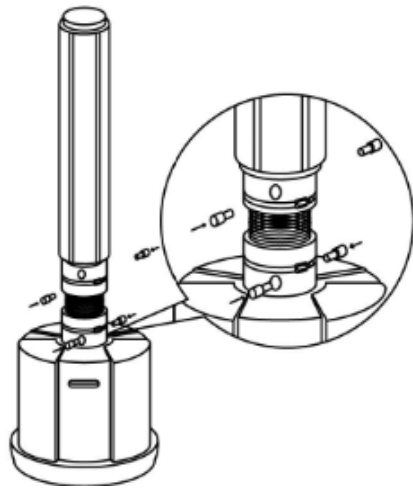
STEP 3

Attach the flexible rubber attachment to the base so that the holes are aligned. Then attach the center rod to the rubber attachment so that the holes are aligned.



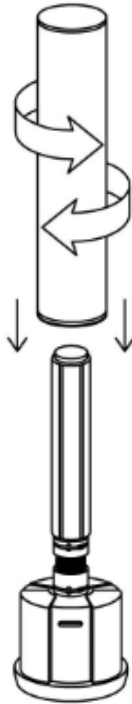
STEP 4

Secure the holes with 2 x plugs on the top and 2 x plugs on the bottom.



STEP 5

Place the punching bag on the middle rod.



STEP 6

To move, you can tilt the base to 45 ° and rotate the base for easier transportation.

USE

Boxing trainer is designed to improve the strength, speed and accuracy of your kicks and punches. Improve fitness and reduce stress on the boxing trainer. The trainer is designed for home use.

MAINTENANCE

Regularly cleaning the trainer will extend its life. After each workout, wipe the sweat from the trainer.

WARNING: Do not use thinner or another chemical to clean.

STORAGE

Store the simulator in a dry, clean environment. Before long-term storage at low temperatures, we recommend draining water to prevent the base from freezing.

ENVIRONMENT PROTECTION

After the product lifespan expired or if the possible repairing is uneconomic, dispose it according to the local laws and environmentally friendly in the nearest scrapyard.

By proper disposal you will protect the environment and natural sources. Moreover, you can help protect human health. If you are not sure in correct disposing, ask local authorities to avoid law violation or sanctions.

Don't put the batteries among house waste but hand them in to the recycling place.

TERMS AND CONDITIONS OF WARRANTY, WARRANTY CLAIMS

General Conditions of Warranty and Definition of Terms

All Warranty Conditions stated here under determine Warranty Coverage and Warranty Claim Procedure. Conditions of Warranty and Warranty Claims are governed by Act No. 89/2012 Coll. Civil Code, and Act No. 634/1992 Coll., Consumer Protection, as amended, also in cases that are not specified by these Warranty rules.

The seller is SEVEN SPORT s.r.o. with its registered office in Strakonická street 1151/2c, Prague 150 00, Company Registration Number: 26847264, registered in the Trade Register at Regional Court in Prague, Section C, Insert No. 116888.

According to valid legal regulations it depends whether the Buyer is the End Customer or not.

“The Buyer who is the End Customer” or simply the “End Customer” is the legal entity that does not conclude and execute the Contract in order to run or promote his own trade or business activities.

“The Buyer who is not the End Customer” is a Businessman that buys Goods or uses services for the purpose of using the Goods or services for his own business activities. The Buyer conforms to the General Purchase Agreement and business conditions.

These Conditions of Warranty and Warranty Claims are an integral part of every Purchase Agreement made between the Seller and the Buyer. All Warranty Conditions are valid and binding, unless otherwise specified in the Purchase Agreement, in the Amendment to this Contract or in another written agreement.

Warranty Conditions

Warranty Period

The Seller provides the Buyer a 24 months Warranty for Goods Quality, unless otherwise specified in the Certificate of Warranty, Invoice, Bill of Delivery or other documents related to the Goods. The legal warranty period provided to the Consumer is not affected.

By the Warranty for Goods Quality, the Seller guarantees that the delivered Goods shall be, for a certain period of time, suitable for regular or contracted use, and that the Goods shall maintain its regular or contracted features.

The Warranty does not cover defects resulting from (if applicable):

- User's fault, i.e. product damage caused by unqualified repair work, improper assembly, insufficient insertion of seat post into frame, insufficient tightening of pedals and cranks
- Improper maintenance
- Mechanical damages
- Regular use (e.g. wearing out of rubber and plastic parts, moving mechanisms, joints, wear of brake pads/blocks, chain, tires, cassette/multi wheel etc.)
- Unavoidable event, natural disaster
- Adjustments made by unqualified person
- Improper maintenance, improper placement, damages caused by low or high temperature, water, inappropriate pressure, shocks, intentional changes in design or construction etc.

Warranty Claim Procedure

The Buyer is obliged to check the Goods delivered by the Seller immediately after taking the responsibility for the Goods and its damages, i.e. immediately after its delivery. The Buyer must check the Goods so that he discovers all the defects that can be discovered by such check.

When making a Warranty Claim the Buyer is obliged, on request of the Seller, to prove the purchase and validity of the claim by the Invoice or Bill of Delivery that includes the product's serial number, or eventually by the documents without the serial number. If the Buyer does not prove the validity of the Warranty Claim by these documents, the Seller has the right to reject the Warranty Claim.

If the Buyer gives notice of a defect that is not covered by the Warranty (e.g. in the case that the Warranty Conditions were not fulfilled or in the case of reporting the defect by mistake etc.), the Seller is eligible to require a compensation for all the costs arising from the repair. The cost shall be calculated according to the valid price list of services and transport costs.

If the Seller finds out (by testing) that the product is not damaged, the Warranty Claim is not accepted. The Seller reserves the right to claim a compensation for costs arising from the false Warranty Claim.

In case the Buyer makes a claim about the Goods that is legally covered by the Warranty provided by the Seller, the Seller shall fix the reported defects by means of repair or by the exchange of the damaged part or product for a new one. Based on the agreement of the Buyer, the Seller has the right to exchange the defected Goods for a fully compatible Goods of the same or better technical characteristics. The Seller is entitled to choose the form of the Warranty Claim Procedures described in this paragraph.

The Seller shall settle the Warranty Claim within 30 days after the delivery of the defective Goods, unless a longer period has been agreed upon. The day when the repaired or exchanged Goods is handed over to the Buyer is considered to be the day of the Warranty Claim settlement. When the Seller is not able to settle the Warranty Claim within the agreed period due to the specific nature of the Goods defect, he and the Buyer shall make an agreement about an alternative solution. In case such agreement is not made, the Seller is obliged to provide the Buyer with a financial compensation in the form of a refund.

CZ
SEVEN SPORT s.r.o.

Registered Office: Strakonická 1151/2c, Praha 5, 150 00, ČR
Headquarters: Dělnická 957, Vítkov, 749 01
Warranty & Service: Čermenská 486, Vítkov 749 01

CRN: 26847264
VAT ID: CZ26847264

Phone: +420 556 300 970
E-mail: eshop@insportline.cz
reklamace@insportline.cz
servis@insportline.cz

Web: www.inSPORTline.cz

SK
inSPORTline s.r.o.

Headquarters, warranty & service center: Električná 6471, Trenčín 911 01, SK

CRN: 36311723
VAT ID: SK2020177082

Phone: +421(0)326 526 701
E-mail: objednavky@insportline.sk
reklamacie@insportline.sk
servis@insportline.sk

Web: www.inSPORTline.sk