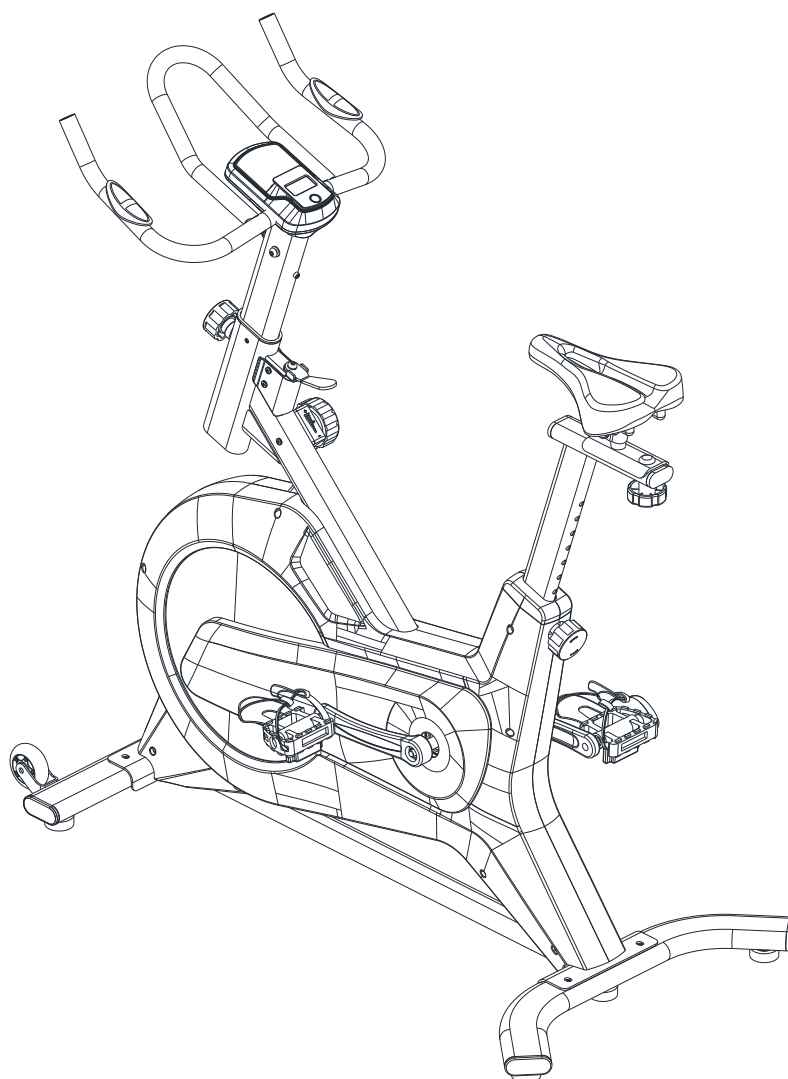




**USER MANUAL – EN**  
**IN 20070 Indoor Spinning Bike inSPORTline Agneto**



# CONTENTS

- SAFETY INSTRUCTIONS..... 3
- IMPORTANT NOTES ..... 3
- DIAGRAM ..... 5
- PARTS LIST ..... 6
- ASSEMBLY ..... 8
- RESISTANCE ADJUSTMENT ..... 11
- PEDAL ADJUSTMENT..... 11
- LEVELING AND TRANSPORT ..... 13
- CONSOLE ..... 13
- USE ..... 14
- CORRECT BODY POSTURE ..... 15
- MAINTENANCE ..... 15
- STORAGE ..... 15
- IMPORTANT NOTICE..... 15
- ENVIRONMENT PROTECTION ..... 15
- TERMS AND CONDITIONS OF WARRANTY, WARRANTY CLAIMS..... 16

## SAFETY INSTRUCTIONS

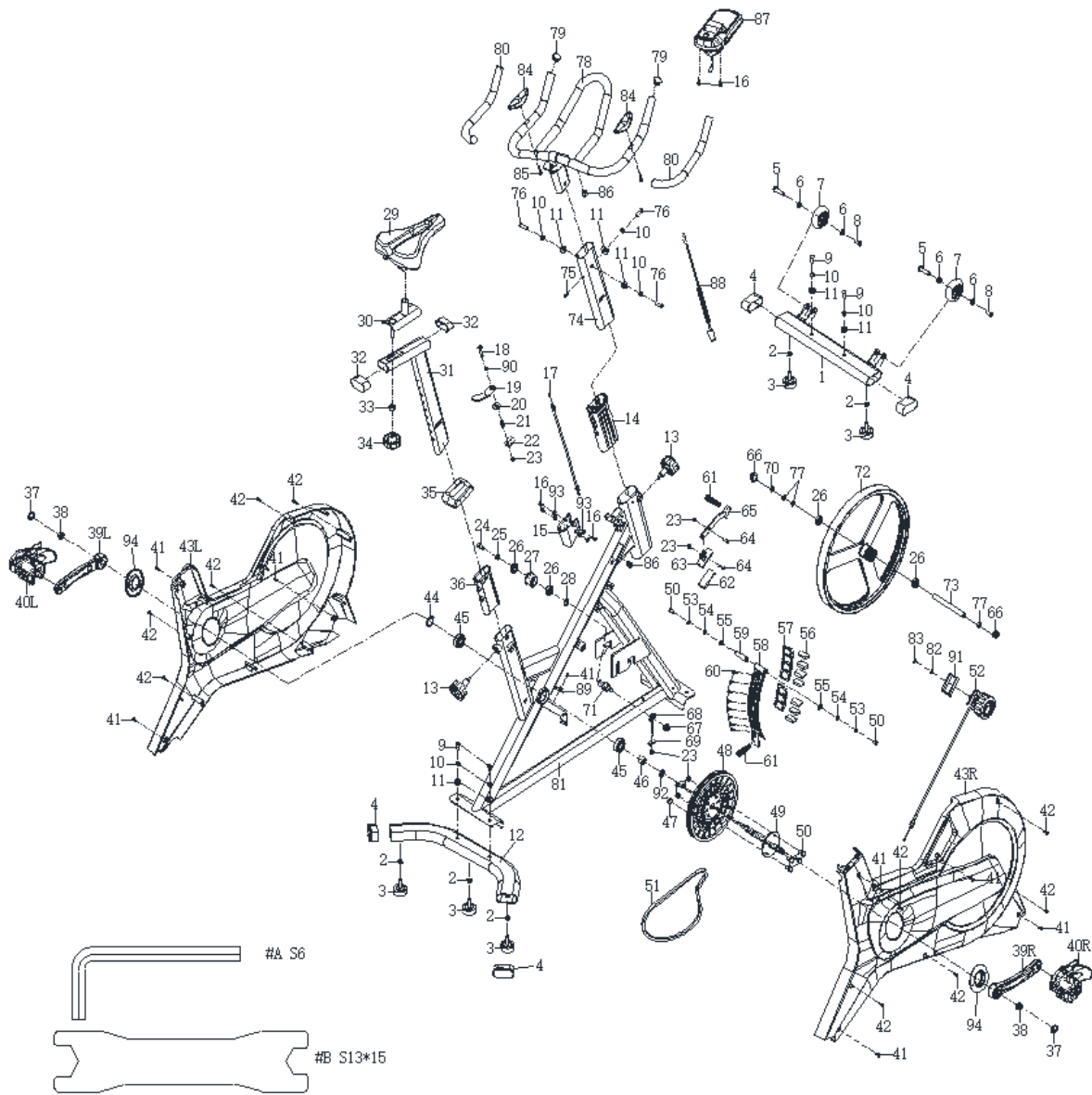
- To ensure the best safety of the exerciser, regularly check it on damages and worn parts.
- If you pass on this exerciser to another person or if you allow another person to use it, make sure that that person is familiar with the content and instructions in these instructions.
- Only one person should use the exerciser at a time.
- Before the first use and regularly make sure that all screws, bolts and other joints are properly tightened and firmly seated.
- Before you start your work-out, remove all sharp-edged objects around the exerciser.
- Only use the exercise for your work-out if it works flawlessly.
- Any broken, worn or defective part must immediately be replaced and/or the exerciser must no longer be used until it has been properly maintained and repaired.
- Parents and other supervisory persons should be aware of their responsibility, due to situations which may arise for which the exerciser has not been designed and which may occur due to children's natural play instinct and interest in experimenting.
- If you do allow children to use this exerciser, be sure to take into consideration and assess their mental and physical condition and development, and above all their temperament. Children should use the exerciser only under adult supervision and be instructed on the correct and proper use of the exerciser. The exerciser is not a toy.
- Make sure there is sufficient free space around the exerciser when you set it up at least 0.6 m.
- To avoid possible accidents, do not allow children to approach the exerciser without supervision, since they may use it in a way for which it is not intended due to their natural play instinct and interest in experimenting.
- Please note that an improper and excessive work-out may be harmful to your health.
- Please note that levers and other adjustment mechanisms are not projecting into the area of movement during the work-out.
- When setting up the exerciser, please make sure that the exerciser is standing in a stable way and that any possible unevenness of the floor is evened out.
- Always wear appropriate clothing and shoes which are suitable for your work-out on the exerciser. The clothes must be designed in a way so that they will not get caught in any part of the exerciser during the work-out due to their form (for example, length). Be sure to wear appropriate shoes which are suitable for the work-out, firmly support the feet and which are provided with a non-slip sole.
- Be sure to consult a physician before you start any exercise program. He may give you proper hints and advice with respect to the individual intensity of stress for you as well as to your work-out and sensible eating habits.
- The spinning bike has no freewheel. The pedals will move if the flywheel is spinning.
- If you do not use the spinning bike, increase the resistance to the maximum to prevent the flywheel from moving.
- **Category:** HC for home use according to EN 957
- **Maximal weight limit:** 120 kg

## IMPORTANT NOTES

- Assemble the exerciser as per assembly instructions and be sure to only use the structural parts provided with the exerciser and designed for it. Prior to the assembly, make sure the contents of the delivery are complete by referring to the parts list of the assembly and operating instructions.

- Be sure to set up the exerciser in a dry and even place and always protect it from humidity. If you wish to protect the place particularly against pressure points, contamination, etc., it is recommended to put a suitable, non-slip mat under the exerciser.
- The general rule is that exercisers and training devices are no toys. Therefore, they must only be used by properly informed or instructed persons.
- Stop your work-out immediately in case of dizziness, nausea, chest pain or any other physical symptoms. In case of doubt, consult your physician immediately.
- Children, disabled and handicapped persons should use the exercise only under supervision and in presence of another person who may give support and useful instructions.
- Be sure that your body parts and those of other persons are never close to any moving parts of the exerciser during its use.
- When adjusting the adjustable parts, make sure they are adjusted properly and note the marked, maximum adjusting position, for example of the saddle support, respectively.
- Do not work out immediately after meals!


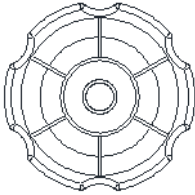

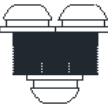


# DIAGRAM



## PARTS LIST

NO.	Description	Qty	NO.	Description	Qty
1	Front stabilizer	1	36	Bushing	1
2	Nut M8*H5.5*S14	5	37	Crank cover $\Phi 25 * 7$	2
3	Stabilizing foot $\phi 43*14*M8*25$	5	38	Nut M10*1.25*H7.5*S14	2
4	End cap PT70*30*20	4	39 L/R	Crank	2
5	Screw M6*12*S5	2	40 L/R	Pedal	2
6	Bearings 608ZZ	4	41	Screw ST4.2*16* $\Phi 8$	6
7	Transport wheels $\Phi 71*\Phi 19*24$	2	42	Screw ST4.2*19* $\Phi 8$	10
8	Screw $\Phi 7.8*30*M6*15*S5$	2	43 L/R	Belt cover	2
9	Screw M8*20*S6	4	44	C clip d17	1
10	Spring washer d8	7	45	Bearings 6203-2RS	2
11	Washer d8* $\Phi 16*1.5$	7	46	Bushing $\Phi 22*\Phi 18*5.5$	1
12	Rear stabilizer	1	47	Magnet $\Phi 15*7$	1
13	Knob M16 * 1,5 * 27 * $\Phi 56$	2	48	Belt wheel	1
14	Bushing PT80*40*PT70*30*L130	1	49	Middle axle	1
15	Brake block 68 * 75 * 39.2	1	50	Screw M6*16*S10	6
16	Screw M5 * 7 * $\Phi 10$	6	51	Belt	1
17	Brake cable $\Phi 1.5*255*42$	1	52	Tension knob	1
18	Screw M6*10*H26*S5	1	53	Spring washer d6	2
19	Brake lever	1	54	Washer d6* $\phi 12*1.2$	2
20	Washer $\Phi 8.5*\Phi 23.5*3$	1	55	Cover d12	2
21	Spring $\Phi 1.2*\Phi 11*21*N7$	1	56	Magnet 40*25*10	7
22	Cable holder t3*25*23	1	57	magnet holder 45.5*130*10.5	2
23	Nylon nut M6*H6*S10	8	58	Magnetic plate	1
24	Screw M6*10*S10	1	59	Magnetic plate shaft	1
25	Washer d6* $\Phi 16*1.5$	1	60	Screw ST3*10* $\Phi 5.6$	8
26	Bearings 6001-2RS	4	61	Spring $\Phi 1.5*\Phi 15*54*N9$	2
27	Idle pulley $\Phi 39 * \Phi 34 * 24$	1	62	Brake pad 60*27*5	1
28	Wave washer d12* $\Phi 15.5*0.3$	1	63	Brake pad holder	1
29	Seat	1	64	Screw M6*16*S5	2
30	Seat slider	1	65	Brake connected plate	1
31	Seat post	1	66	Nut M12*1*H11*S18	2
32	End cap PT50*25*16	2	67	Nut M10*1.0	1
33	Washer d10* $\Phi 30*2.5$	1	68	Screw M6*50* $\Phi 12*4$	1
34	Knob M10* $\Phi 58*32$	1	69	Nut M6*H5*S10	1
35	Cover 99.3*83.5*24.7	1	70	Nut M12*1*H7*S19	1

71	Fixing shaft	1	84	Pulse sensor	2
72	Flywheel	1	85	Screw ST4.0*19*Φ11	2
73	Flywheel Axle	1	86	Plug Φ12*11*Φ3	2
74	Handlebar post	1	87	Meter	1
75	Screw M5*8*Φ10	1	88	Trunk cable	1
76	Screw M8*16*S6	3	89	Sensor cable	1
77	Nut M12*1*H5*S19	3	90	Washer	1
78	Handlebar	1	91	Tension knob bracket	1
79	Bushing Φ25*16	2	92	Wave washer d17*Φ22*0.3	1
80	Foam grip Φ23*3*420	2	93	Washer d5* Φ 10*1.0	4
81	Main frame	1	94	Crank cover	2
82	Washer d5*Φ13*1	1	A	Allen key S6	1
83	Screw M5*16*Φ8	1	B	Spanner S13 * 15	1

		
9. Screw M8*20*S6	34. Knob M10*Φ58*32	33. Washer d10*Φ30*2.5
10. Spring washer d8		
11. Washer d8*Φ16*1.5		
		
10. Spring washer d8	B. Spanner S13 * 15	A. Allen key S6
11. Washer d8*Φ16*1.5		
76. Screw M8*16*S6		

# ASSEMBLY

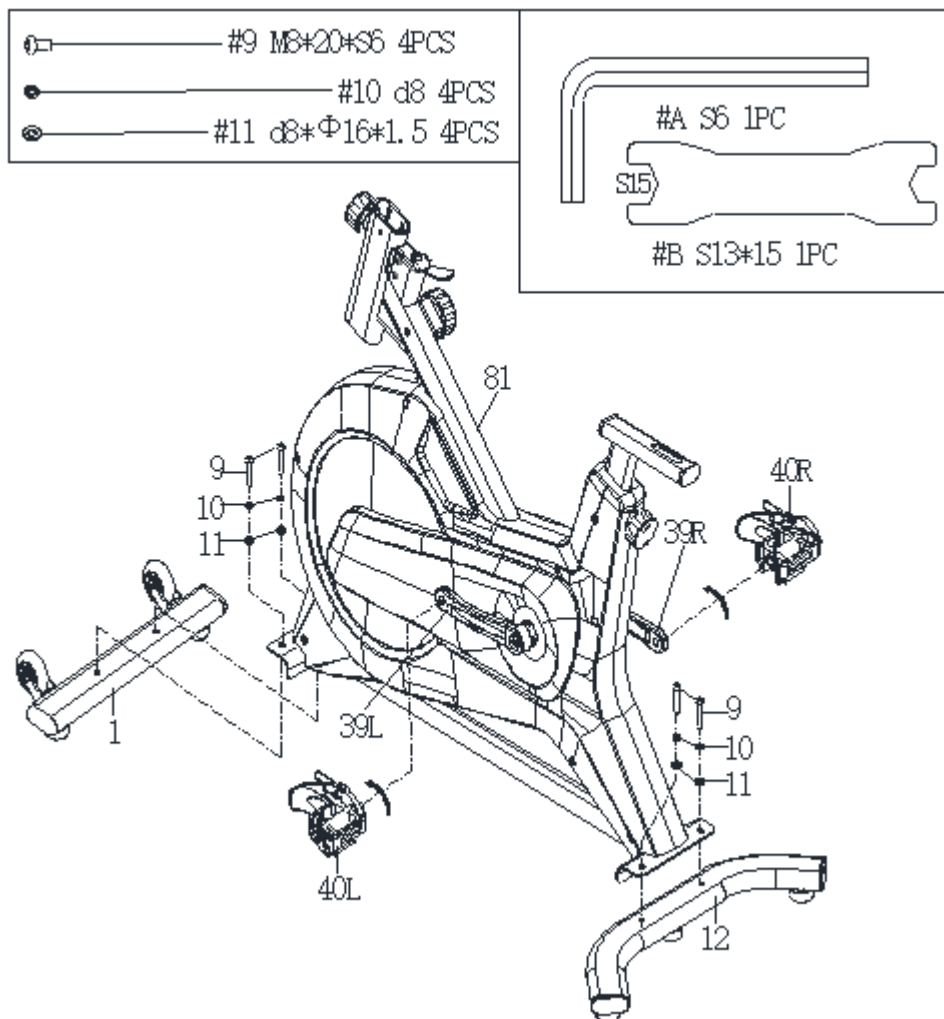
## STEP 1

Attach the front and rear stabilizer (1 and 12) to the main frame (81) with 4 screws (9), 4 spring washers (10) and 4 washers (11). Fasten with wrench (B).

Attach the left pedal (40L) to the left crank (39L). Screw the pedal with your hand counterclockwise. Then tighten with a wrench (95).

Attach the right pedal (40R) to the right crank (39R). Screw the pedal with your hand clockwise and then tighten with the wrench (95).

The pedals are marked L - left, R - right.



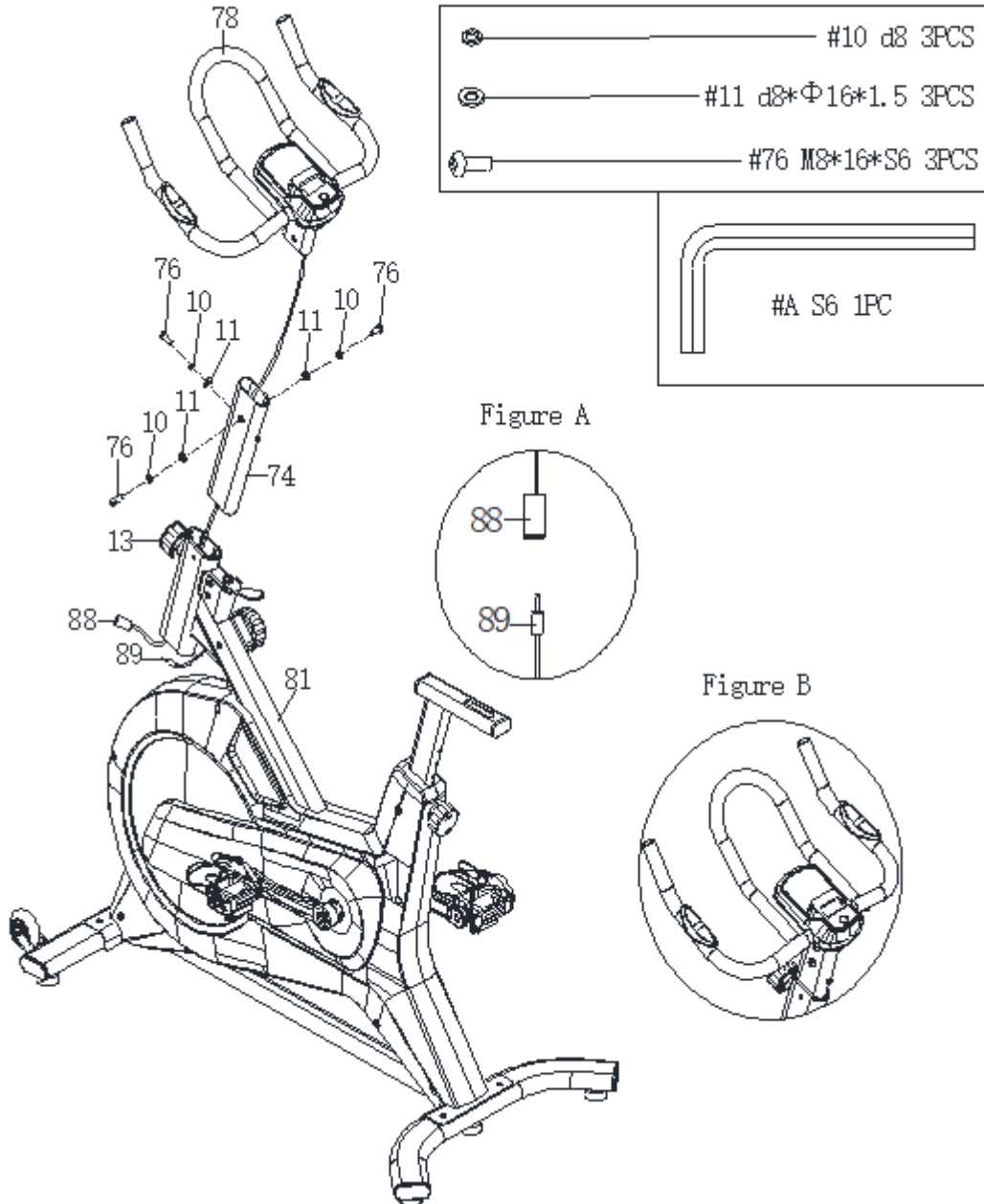


## STEP 2

Pass the cable (88) through the handle post (74). Attach the handles (78) to the handle post (74) with 3 screws (76), 3 washers (11), tighten with Allen key (A) (B).

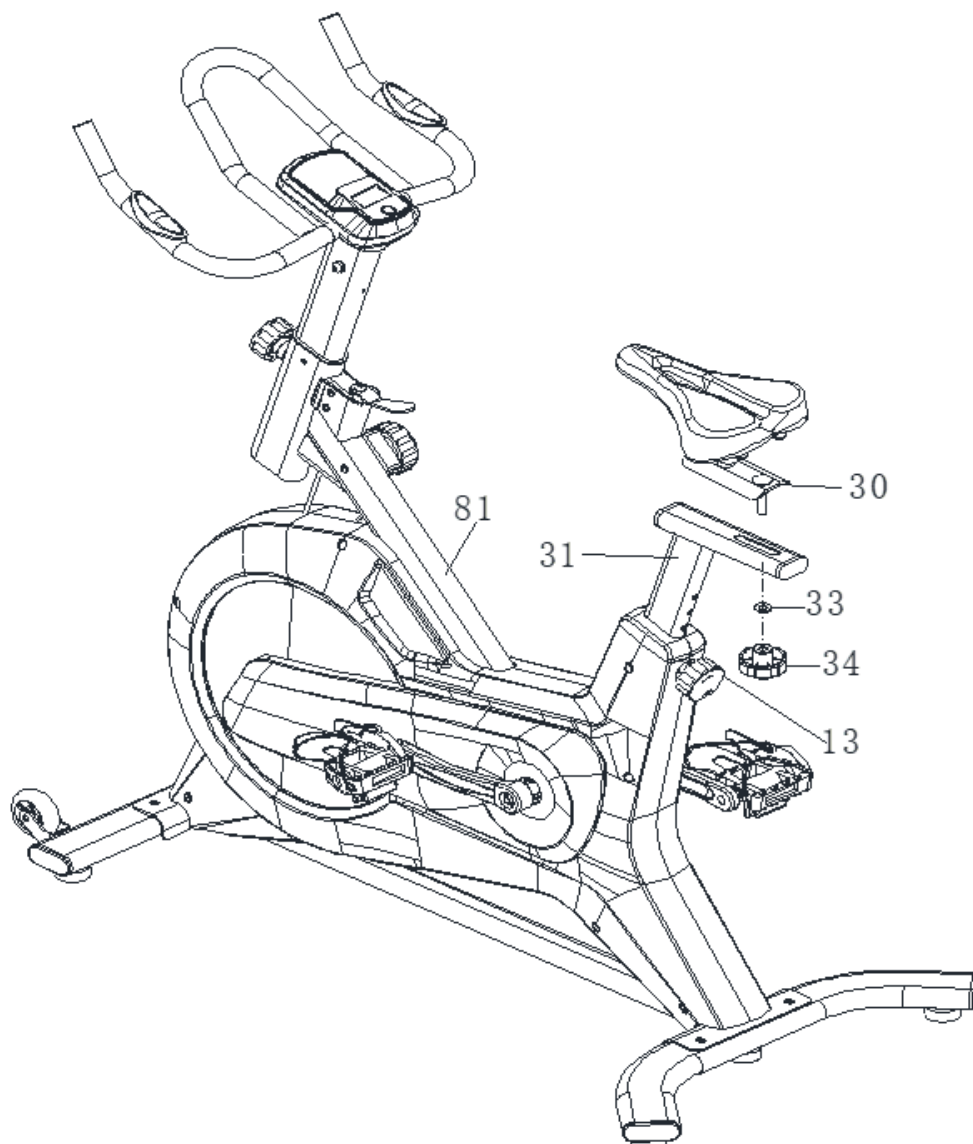
Unscrew the knob (13) from the main frame (81) and insert the handle post (74) with the cable (88) into the main frame (81). Adjust the position and secure with the knob (13).

Connect the cable (88) to the sensor cable (89) (A).



### STEP 3

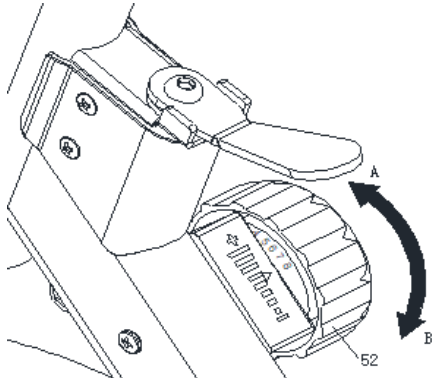
Attach the saddle slider (30) to the saddle post (31) and secure with the washer (33) and knob (34).



# RESISTANCE ADJUSTMENT

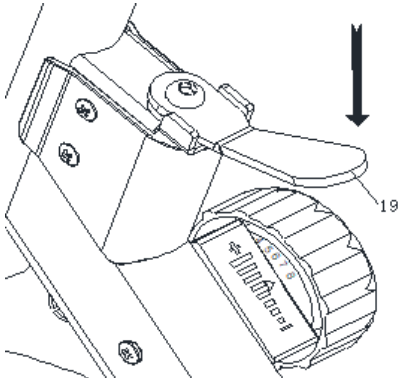
## 1. Resistance:

To increase the load, turn the knob (52) towards (+) in the A direction.  
Lower the load by turning the knob (52) towards (-) direction B.



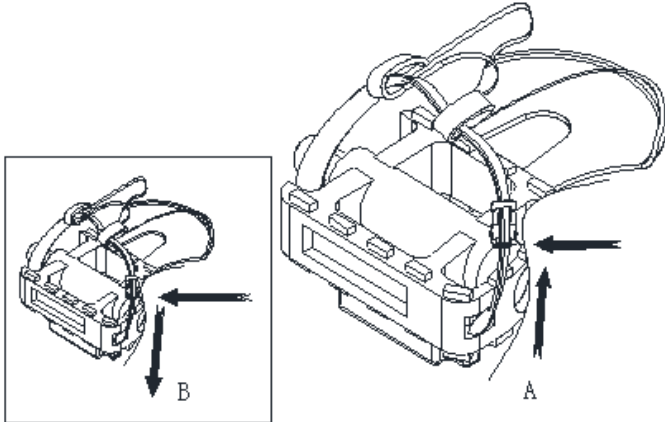
## 2. Emergency brake:

In case of danger press the brake (19). The device stops immediately.



# PEDAL ADJUSTMENT

If the pedals are too tight, press the buckle and pull the strap up.  
If the pedals are too loose, press the buckle and pull the strap down.



## SEAT AND HANDLE HEIGHT ADJUSTMENT

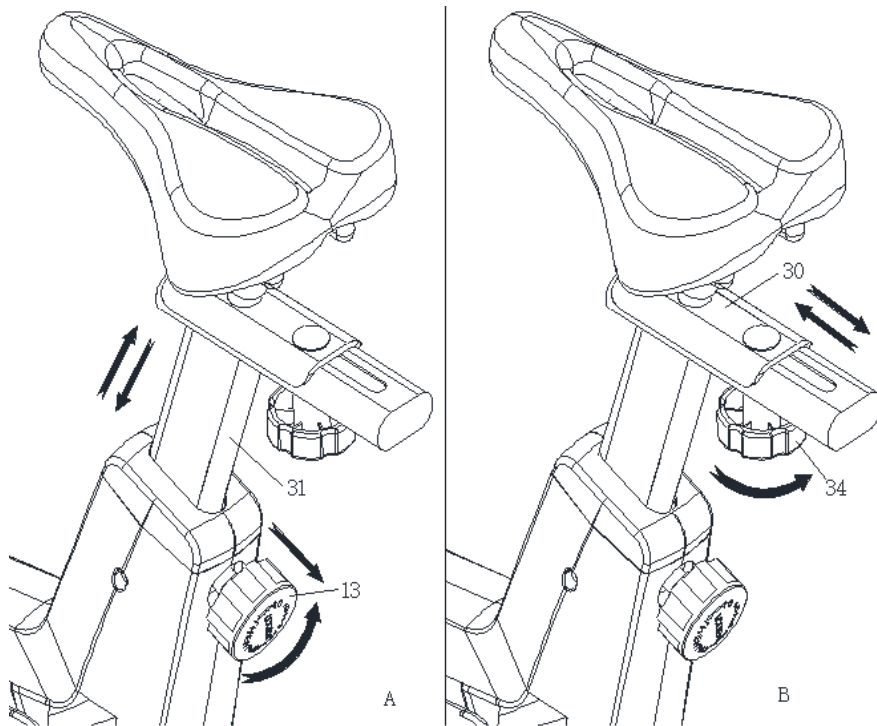
You can adjust the saddle up / down, forward / backward

### 1. Height

To adjust the height of the seat post (31), loosen the knob (13) and adjust the desired height. Then lock with the knob (13) (A)

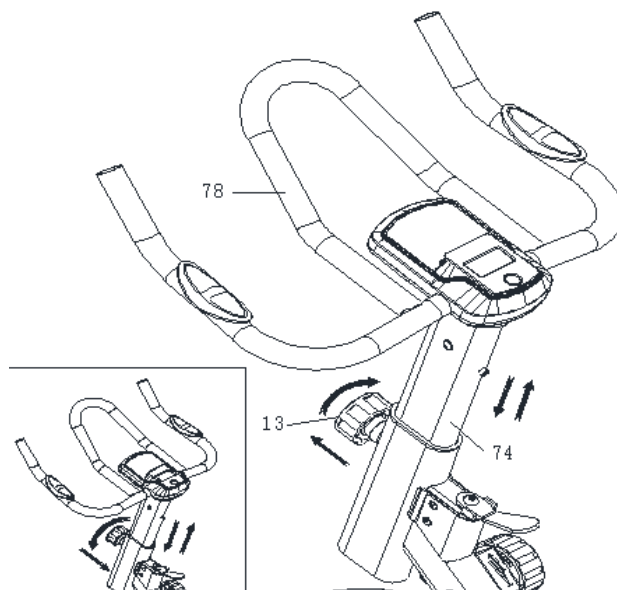
### 2. Seat position

To adjust the seat forward / backward, loosen the knob (34) and slide the saddle slider (30). Then secure the knob (34) (B)



### 3. Handle height

To adjust the height of the handles (78), loosen the knob (13) and adjust the height of the handle post (74). Then lock with the knob (13).

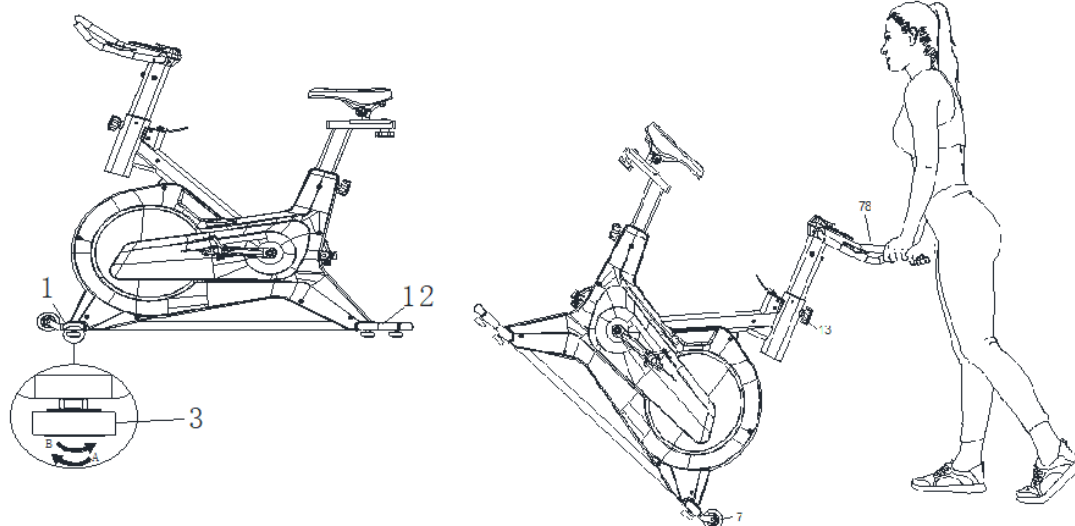


## LEVELING AND TRANSPORT

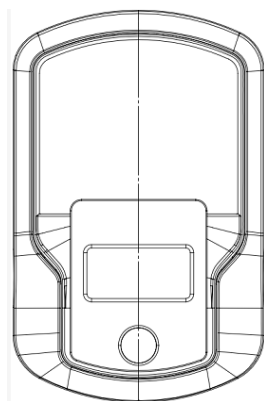
For your own safety and the long lifespan of the machine, it is essential that the machine is stable. Adjust the stability with the adjustable feet (3) under the front and rear stabilizer (1 and 12).

To adjust, turn the feet (3) clockwise or counterclockwise.

To move, make sure the handles (78) are properly locked. If necessary, tighten the knob (13). Stand in front of the bike trainer and grasp the handles (78) and tilt the bike to the transport wheels (7) on the front stabilizer.



## CONSOLE



### DISPLAY

TIME	00: - 99:59 min: sec
SPEED	0.0 – 240 km/h nebo mil/h
DISTANCE	0.00 – 999.9 km nebo mil
CALORIE	0.0 – 999.9 kcal
PULSE	40-240 úderů za minutu

### BUTTONS

MODE: Confirm selection

## FUNCTIONS

TIME (TMR)	Training time
SPEED (SPD)	Current speed
DISTANCE (DST)	The distance traveled during training
CALORIES (CAL)	Calories burned
PULSE (PUL)	Heart rate if you hold the pulse plates
SCAN	The console displays all measured values

## BATTERY

The console is powered by 2 AAA batteries. If the display is difficult to read, replace the batteries. Never mix new and old batteries or other types of batteries.

## USE

Exercise on the spinning bike is based on very simple movements, but you will surely fall in love with them. Thanks to simplicity of the exercise on the spinning bike it can be done by elderly people. Prior to exercise, it is necessary to adjust the height of the saddle. It is important that you sit comfortably. The bicycle saddle must be set so that you can hold the ergonomically shaped handles when sitting. You should not have fully extended hands. You can damage your muscles.

To ensure a comfortable and comfortable exercise, put your feet on the pedal. Nowadays, all modern pedals are equipped with straps for fastening and stabilizing of the foot. It is important for your foot to be firmly and safely positioned during exercise.

The basis of exercising on a bicycle is that the legs are moving on a specific elliptical path. This movement is very similar to cycling. When doing exercise on a bicycle, you just sit on the saddle with the right height, keep your feet firmly in the pedals, hold the ergonomically shaped handles and exercise.

It is advisable at the beginning to choose a lower load. If you exercise at regular intervals on a spinning bike, you can gradually increase the load. You can increase the load gradually over a week or two weeks. Selecting a high load during the start of training can lead to rapid fatigue and muscle damage.

When exercising, it's important to choose the right load and the right tempo. Try to keep it throughout the exercise. It is not recommended to choose a high pace right from the start. Increase tempo after about a week of regular exercise. The high pace is not equal to the faster burning of calories. Correct calorie burning is reflected in an appropriate and regular exercise. At the beginning of the exercise, the number of burned calories may seem low, but regular and appropriate exercise is the key to achieving the best results.

Exercise on the spinning bike also leads to the formation of muscles. It is mainly used to strengthen the thigh and calf muscles. While exercising on a bicycle, you also move your buttocks.

If you want to exercise right, you should not forget to breathe properly. Proper and regular breathing is recommended in any exercise. It is important to keep regular deep inhales and exhales. Regular and proper breathing during exercises on the spinning bike involves intense exercise of the abdominal muscles. It is advisable to practice 30-35 after consuming food. Failure to do so may result in less calories burned, and in older age even lead to digestive problems.

For best results, you should also consider your diet. It is recommended to start a day of eating sweet food and pastries or muesli with milk. For lunch is recommended to eat a caloric richer meal. Do not forget about the soup. In the evening, light meals are recommended. If you want to improve your health, it's not just a regular exercise but a whole diet.

Bicycle exercise is an effective exercise for all busy people. Exercise on the spinning bike is effective in strengthening muscles, especially thighs, calves and buttocks. Regular exercise can lead to a slimmer figure. Exercise is recommended not only as a winter training for cyclists but also for people

who want to burn excess calories. Regular breathing, regular exercise, reasonable tempo, and balanced diet can lead to your desired results.

## **CORRECT BODY POSTURE**

When training, keep your body upright, or you can learn your hand on your forearms. During pedaling, you should not have your legs fully extended. Your knees should be slightly bent when fully pressing down the pedal. Keep your head straight with your spine to minimize the pain of the cervical muscles and upper back muscles. Always exercise fluently and rhythmically.

## **MAINTENANCE**

- When assembling, tighten all screws and adjust the bike to the horizontal position.
- Check the screws after 10 hours of use.
- Wipe the sweat after the exercise. Clean the device with a cloth and gentle cleanser. Do not use solvents or aggressive cleaners on the plastic parts.
- When noise is increased, it is necessary to check that all joints are tightened properly.
- Place the product in a clean, ventilated and dry room.
- Do not expose the device to direct sunlight.

## **STORAGE**

Keep the spinning bike in a clean and dry environment. Make sure the power switch is turned off and the spinning bike is not plugged into the power socket.

## **IMPORTANT NOTICE**

- This spinning bike comes with standard safety regulations and is only suitable for home use. Any other use is prohibited and may be dangerous to users. We are not responsible for any injury caused by improper and forbidden use of the machine.
- Consult your doctor before starting training on the spinning bike. Your doctor should evaluate whether you are physically fit to use the machine and how much effort you are able to undergo. Incorrect exercise or switching of the body can harm your health.
- Carefully read the following tips and exercises. If you experience pain, nausea, breathing, or other health problems during exercise, immediately stop the exercise. If the pain persists, contact your doctor immediately.
- This spinning bike is not suitable as a professional or medical purpose. It can also not be used for healing purposes.
- The heart rate monitor is not a medical device. It provides only approximate information about your average heart rate, and any suggested pulse rate is not medically binding. Accumulated data may not always be accurate regarding uncontrollable human and environmental factors.

## **ENVIRONMENT PROTECTION**

After the product lifespan expired or if the possible repairing is uneconomic, dispose it according to the local laws and environmentally friendly in the nearest scrapyard.

By proper disposal you will protect the environment and natural sources. Moreover, you can help protect human health. If you are not sure in correct disposing, ask local authorities to avoid law violation or sanctions.

Don't put the batteries among house waste but hand them in to the recycling place.

# TERMS AND CONDITIONS OF WARRANTY, WARRANTY CLAIMS

## General Conditions of Warranty and Definition of Terms

All Warranty Conditions stated hereunder determine Warranty Coverage and Warranty Claim Procedure. Conditions of Warranty and Warranty Claims are governed by Act No. 89/2012 Coll. Civil Code, and Act No. 634/1992 Coll., Consumer Protection, as amended, also in cases that are not specified by these Warranty rules.

The seller is SEVEN SPORT s.r.o. with its registered office in Borivojova Street 35/878, Prague 13000, Company Registration Number: 26847264, registered in the Trade Register at Regional Court in Prague, Section C, Insert No. 116888.

According to valid legal regulations it depends whether the Buyer is the End Customer or not.

“The Buyer who is the End Customer” or simply the “End Customer” is the legal entity that does not conclude and execute the Contract in order to run or promote his own trade or business activities.

“The Buyer who is not the End Customer” is a Businessman that buys Goods or uses services for the purpose of using the Goods or services for his own business activities. The Buyer conforms to the General Purchase Agreement and business conditions.

These Conditions of Warranty and Warranty Claims are an integral part of every Purchase Agreement made between the Seller and the Buyer. All Warranty Conditions are valid and binding, unless otherwise specified in the Purchase Agreement, in the Amendment to this Contract or in another written agreement.

## Warranty Conditions

### Warranty Period

The Seller provides the Buyer a 24 months Warranty for Goods Quality, unless otherwise specified in the Certificate of Warranty, Invoice, Bill of Delivery or other documents related to the Goods. The legal warranty period provided to the Consumer is not affected.

By the Warranty for Goods Quality, the Seller guarantees that the delivered Goods shall be, for a certain period of time, suitable for regular or contracted use, and that the Goods shall maintain its regular or contracted features.

### The Warranty does not cover defects resulting from (if applicable):

- User's fault, i.e. product damage caused by unqualified repair work, improper assembly, insufficient insertion of seat post into frame, insufficient tightening of pedals and cranks
- Improper maintenance
- Mechanical damages
- Regular use (e.g. wearing out of rubber and plastic parts, moving mechanisms, joints etc.)
- Unavoidable event, natural disaster
- Adjustments made by unqualified person
- Improper maintenance, improper placement, damages caused by low or high temperature, water, inappropriate pressure, shocks, intentional changes in design or construction etc.

## Warranty Claim Procedure

The Buyer is obliged to check the Goods delivered by the Seller immediately after taking the responsibility for the Goods and its damages, i.e. immediately after its delivery. The Buyer must check the Goods so that he discovers all the defects that can be discovered by such check.

When making a Warranty Claim the Buyer is obliged, on request of the Seller, to prove the purchase and validity of the claim by the Invoice or Bill of Delivery that includes the product's serial number, or eventually by the documents without the serial number. If the Buyer does not prove the validity of the Warranty Claim by these documents, the Seller has the right to reject the Warranty Claim.

If the Buyer gives notice of a defect that is not covered by the Warranty (e.g. in the case that the Warranty Conditions were not fulfilled or in the case of reporting the defect by mistake etc.), the Seller



is eligible to require a compensation for all the costs arising from the repair. The cost shall be calculated according to the valid price list of services and transport costs.

If the Seller finds out (by testing) that the product is not damaged, the Warranty Claim is not accepted. The Seller reserves the right to claim a compensation for costs arising from the false Warranty Claim.

In case the Buyer makes a claim about the Goods that is legally covered by the Warranty provided by the Seller, the Seller shall fix the reported defects by means of repair or by the exchange of the damaged part or product for a new one. Based on the agreement of the Buyer, the Seller has the right to exchange the defected Goods for a fully compatible Goods of the same or better technical characteristics. The Seller is entitled to choose the form of the Warranty Claim Procedures described in this paragraph.

The Seller shall settle the Warranty Claim within 30 days after the delivery of the defective Goods, unless a longer period has been agreed upon. The day when the repaired or exchanged Goods is handed over to the Buyer is considered to be the day of the Warranty Claim settlement. When the Seller is not able to settle the Warranty Claim within the agreed period due to the specific nature of the Goods defect, he and the Buyer shall make an agreement about an alternative solution. In case such agreement is not made, the Seller is obliged to provide the Buyer with a financial compensation in the form of a refund.



**SEVEN SPORT s.r.o.**

Registered Office: Borivojova 35/878, 130 00 Praha 3, Czech Republic  
Headquarters: Delnicka 957, 749 01 Vitkov, Czech Republic  
Warranty & Service Centre: Cermenska 486, 749 01 Vitkov, Czech Republic  
CRN: 26847264  
VAT ID: CZ26847264  
Phone: +420 556 300 970  
E-mail: eshop@insportline.cz  
reklamace@insportline.cz  
servis@insportline.cz  
Web: www.insportline.cz

---

**SK**

**INSPORTLIN s.r.o.**

Headquarters, Warranty & Service centre: Elektricka 6471, 911 01 Trencin, Slovakia  
CRN: 36311723  
VAT ID: SK2020177082  
Phone: +421(0)326 526 701  
E-mail: objednavky@insportline.sk  
reklamacie@insportline.sk  
servis@insportline.sk  
Web: www.insportline.sk

Date of Sale:

Stamp and Signature of Seller: