



USER MANUAL – EN

IN 2012 Foot spa massager inSPORTline Kurkisspa



CONTENTS

- CONTENTS 2
- SAFETY INSTRUCTIONS..... 3
- PRODUCT DESCRIPTION 4
- CONTROL PANEL 4
 - FUNCTIONS 4
- USE 5
- CLEANING AND MAINTENANCE 5
- STORAGE 6
- TROUBLESHOOTING 6
- TECHNICAL PARAMETERS 6
- ENVIRONMENT PROTECTION 6
- TERMS AND CONDITIONS OF WARRANTY, WARRANTY CLAIMS..... 6

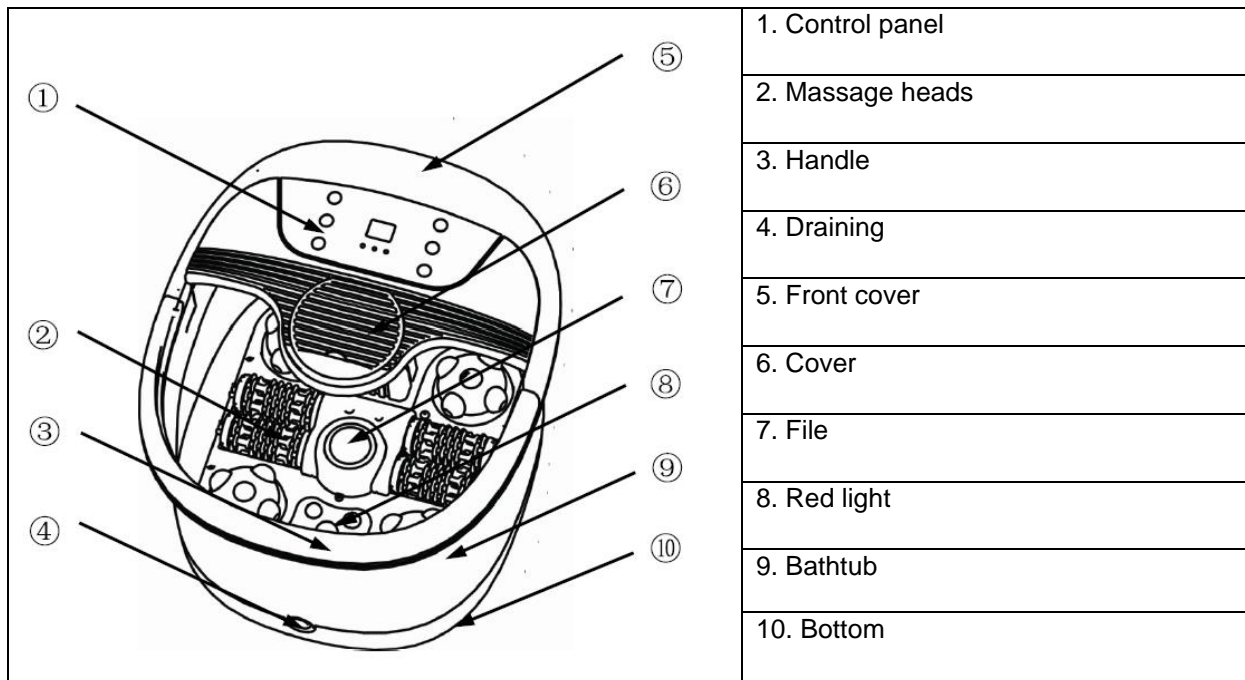
SAFETY INSTRUCTIONS

- Read the manual carefully and keep it for future references.
- Never sink the device into the water during maintenance and cleaning.
- Always sit when using the device. Never stand on the device.
- Do not try to unplug the device from socket when you have wet hands. Do not operate the device with wet hands.
- Do not use the device if you have leg or feet injury or you are recovery from surgery.
- Do not use in sessions longer than 60 minutes. It is recommended to take 10-15 minutes breaks between sessions.
- Do not use when you are sleepy, tired or falling asleep.
- Always unplug the device after use. Never leave the device unattended if it is connected.
- Never use the device near a heat source.
- Children under the age of 18, people with physical or mental disabilities and older people cannot use the appliance without adult supervision.
- Never use the device if the power cord or plug is damaged.
- Never use damaged equipment.
- People suffering from skin disease, injuries or recovering after surgery may only use the appliance after consulting a physician.
- Use only original spare parts for repair.
- Only authorized personnel may carry out repairs.
- Do not use in rooms with high humidity such as saunas or bathrooms.
- If you do not use your device for a long time, check it before using it for the first time.
- Excessive use may cause overheating and reduce the lifespan of the device.
- The device is not a substitute for health care.
- For home use only.
- To avoid skin irritation, do not use the appliance for more than 60 minutes.
- Consult a physician before use.
- Massage should never be uncomfortable if you feel pain or massage is not comfortable stop it immediately.
- Never move the machine by pulling on the power cord.
- Turn the power switch to the off position before disconnecting from the power source.
- Keep the power cord away from heat and moisture.
- Do not use 30 minutes before and after a meal.
- Store the device in a dry and cool place. Do not leave water inside if the room temperature is below 0 ° C
- Pour water before plugging in. You can use water up to + 40 ° C.

WARNING: Never turn on or operate the device if there is no water inside.

WARNING: The appliance is for home use only and is not intended for medical use. If children use the device, they must be kept under adult supervision. This device is not a toy.

PRODUCT DESCRIPTION



CONTROL PANEL



FUNCTIONS

Button	Function	Default value	Settings
ON / OFF	Turing on / off the device		
Temp + / -	Temperature adjustment	35 °C	35 °C–48 °C
Red light	Turning on / off red light	Off	On
Bubble	Turning on / off bubbles	Off	On
LED display	Displays water temperature		
Massage	Press to turn massage on / off. The massage time is set to 15 min. 3 types of massage, fast and slow massage.		

USE

Before switching on, fill the bathtub with water. Never use the device if there is no water.

1. Check that no part is damaged (power cord, plug, etc.)
2. Place the device on a flat, dry surface.
 - Sit on a chair or chair. Never stand on the device.
 - Do not plug the device into the socket yet.
3. Fill the device with water. Never use the device if it is not filled with water.
 - Fill the device with a container.
 - Do not place the bathtub under the stream of water.
 - Be careful not to wet the control panel.
 - You can use 40 ° C water to speed up the heating.
 - There is an indicator for maximum water filling on the bathtub. Never exceed 70% of the capacity of the bathtub it is recommended to fill the bathtub up to 60% of the capacity.
 - Now plug the device into the plug.
4. Switch the device on / off using the ON / OFF button. The two-digit LED display instantly displays the water temperature.
 - The default water temperature is 35 ° C.
 - The heater is automatically switched on when the water temperature is below 35 ° C.
5. For changing of water temperature use TEMP + / -
 - Maximum temperature is 48 °C.
 - Minimum temperature is 35 °C.
 - The LED display always shows the set temperature after pressing the TEMP button for 3 seconds. It then displays the current water temperature again.
6. Never unplug the power plug if your hands are wet.
 - After each use, switch off the device and then dry the bathtub.
 - Never immerse the plug in to the water.
 - Do not pull on the power cord.
 - Use only a soft, dry cloth to clean the control panel.

CLEANING AND MAINTENANCE

- Turn off the product and unplug it before cleaning.
- Make sure the drain thread is closed and the cable is hidden.
- Only wash the tray with a dry, soft cloth. Do not use aggressive cleaners.
- Do not immerse the appliance in water.

STORAGE

- Turn off the product, unplug it and allow it to cool down.
- Dry the product properly.
- Do not pull the device by the power cord.
- For indoor use.
- Do not store the product near heat sources.

TROUBLESHOOTING

Problem	Cause	Solution
Water heating does not work	The heater is off The maximum heating temperature is reached The water temperature is set low The water in the tray is warmer than the set temperature	Press TEMP + to increase the temperature
The device is not working	Overheating	Try pouring cold water into the bathtub or resetting the set temperature.

TECHNICAL PARAMETERS

Name	Foot spa Massager
Voltage	110 V 220 V
Power	500 W
Bathtub capacity	10 L
Made in china	

ENVIRONMENT PROTECTION

After the product lifespan expired or if the possible repairing is uneconomic, dispose it according to the local laws and environmentally friendly in the nearest scrapyard.

By proper disposal you will protect the environment and natural sources. Moreover, you can help protect human health. If you are not sure in correct disposing, ask local authorities to avoid law violation or sanctions.

TERMS AND CONDITIONS OF WARRANTY, WARRANTY CLAIMS

General Conditions of Warranty and Definition of Terms

All Warranty Conditions stated hereunder determine Warranty Coverage and Warranty Claim Procedure. Conditions of Warranty and Warranty Claims are governed by Act No. 89/2012 Coll. Civil Code, and Act No. 634/1992 Coll., Consumer Protection, as amended, also in cases that are not specified by these Warranty rules.

The seller is SEVEN SPORT s.r.o. with its registered office in Borivojova Street 35/878, Prague 13000, Company Registration Number: 26847264, registered in the Trade Register at Regional Court in Prague, Section C, Insert No. 116888.

According to valid legal regulations it depends whether the Buyer is the End Customer or not.

“The Buyer who is the End Customer” or simply the “End Customer” is the legal entity that does not conclude and execute the Contract in order to run or promote his own trade or business activities.

“The Buyer who is not the End Customer” is a Businessman that buys Goods or uses services for the purpose of using the Goods or services for his own business activities. The Buyer conforms to the General Purchase Agreement and business conditions.

These Conditions of Warranty and Warranty Claims are an integral part of every Purchase Agreement made between the Seller and the Buyer. All Warranty Conditions are valid and binding, unless otherwise specified in the Purchase Agreement, in the Amendment to this Contract or in another written agreement.

Warranty Conditions

Warranty Period

The Seller provides the Buyer a 24 months Warranty for Goods Quality, unless otherwise specified in the Certificate of Warranty, Invoice, Bill of Delivery or other documents related to the Goods. The legal warranty period provided to the Consumer is not affected.

By the Warranty for Goods Quality, the Seller guarantees that the delivered Goods shall be, for a certain period of time, suitable for regular or contracted use, and that the Goods shall maintain its regular or contracted features.

The Warranty does not cover defects resulting from (if applicable):

- User's fault, i.e. product damage caused by unqualified repair work, improper assembly, insufficient insertion of seat post into frame, insufficient tightening of pedals and cranks
- Improper maintenance
- Mechanical damages
- Regular use (e.g. wearing out of rubber and plastic parts, moving mechanisms, joints, wear of brake pads/blocks, chain, tires, cassette/multi wheel etc.)
- Unavoidable event, natural disaster
- Adjustments made by unqualified person
- Improper maintenance, improper placement, damages caused by low or high temperature, water, inappropriate pressure, shocks, intentional changes in design or construction etc.

Warranty Claim Procedure

The Buyer is obliged to check the Goods delivered by the Seller immediately after taking the responsibility for the Goods and its damages, i.e. immediately after its delivery. The Buyer must check the Goods so that he discovers all the defects that can be discovered by such check.

When making a Warranty Claim the Buyer is obliged, on request of the Seller, to prove the purchase and validity of the claim by the Invoice or Bill of Delivery that includes the product's serial number, or eventually by the documents without the serial number. If the Buyer does not prove the validity of the Warranty Claim by these documents, the Seller has the right to reject the Warranty Claim.

If the Buyer gives notice of a defect that is not covered by the Warranty (e.g. in the case that the Warranty Conditions were not fulfilled or in the case of reporting the defect by mistake etc.), the Seller is eligible to require a compensation for all the costs arising from the repair. The cost shall be calculated according to the valid price list of services and transport costs.

If the Seller finds out (by testing) that the product is not damaged, the Warranty Claim is not accepted. The Seller reserves the right to claim a compensation for costs arising from the false Warranty Claim.

In case the Buyer makes a claim about the Goods that is legally covered by the Warranty provided by the Seller, the Seller shall fix the reported defects by means of repair or by the exchange of the

damaged part or product for a new one. Based on the agreement of the Buyer, the Seller has the right to exchange the defected Goods for a fully compatible Goods of the same or better technical characteristics. The Seller is entitled to choose the form of the Warranty Claim Procedures described in this paragraph.

The Seller shall settle the Warranty Claim within 30 days after the delivery of the defective Goods, unless a longer period has been agreed upon. The day when the repaired or exchanged Goods is handed over to the Buyer is considered to be the day of the Warranty Claim settlement. When the Seller is not able to settle the Warranty Claim within the agreed period due to the specific nature of the Goods defect, he and the Buyer shall make an agreement about an alternative solution. In case such agreement is not made, the Seller is obliged to provide the Buyer with a financial compensation in the form of a refund.

CZ
SEVEN SPORT s.r.o.

Registered Office: Strakonická 1151/2c, Praha 5, 150 00, ČR
Headquarters: Dělnická 957, Vítkov, 749 01
Warranty & Service: Čermenská 486, Vítkov 749 01

CRN: 26847264
VAT ID: CZ26847264

Phone: +420 556 300 970
E-mail: eshop@insportline.cz
reklamace@insportline.cz
servis@insportline.cz

Web: www.inSPORTline.cz

SK
inSPORTline s.r.o.

Headquarters, warranty & service center: Električná 6471, Trenčín 911 01, SK

CRN: 36311723
VAT ID: SK2020177082

Phone: +421(0)326 526 701
E-mail: objednavky@insportline.cz
reklamacie@insportline.cz
servis@insportline.cz

Web: www.inSPORTline.sk