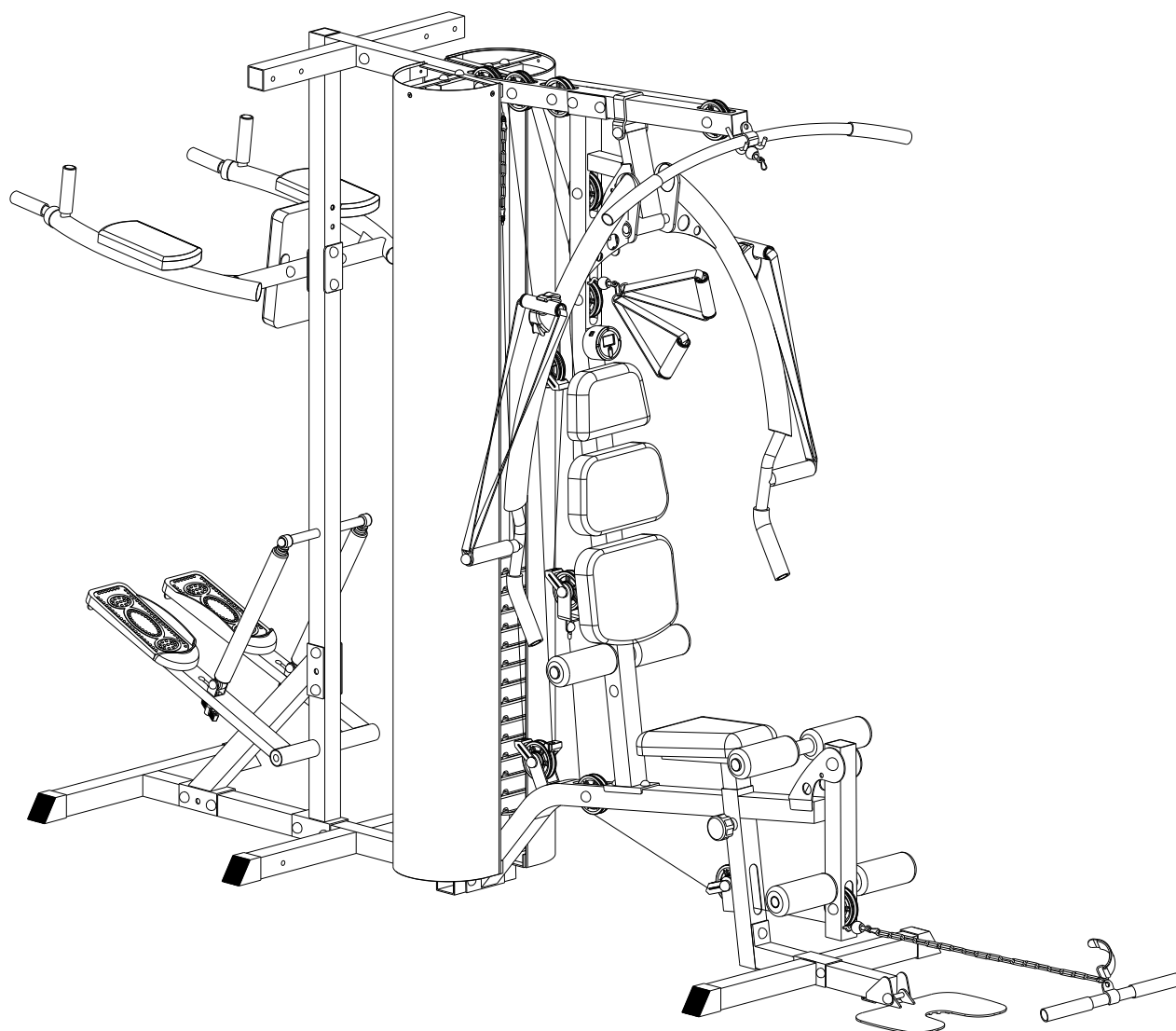




**USER MANUAL – EN**  
**IN 18397 Multi-Gym inSPORTline Phantom**



# CONTENTS

- SAFETY INSTRUCTIONS..... 3
- INTRODUCTION ..... 3
- PARTS LIST ..... 5
- EXPLODED DRAWING..... 7
- ASSEMBLY ..... 10
- L SHAPE ASSEMBLY ..... 26
- COMPUTER INSTRUCTION (ST6355) ..... 30
- EXERCISES AVAILABLE ON MULTI-GYM INSPORTLINE PHANTON ..... 30
- EXERCISE..... 31
- ENVIRONMENT PROTECTION ..... 32
- TERMS AND CONDITIONS OF WARRANTY, WARRANTY CLAIMS..... 32

# SAFETY INSTRUCTIONS

## INTRODUCTION

Thank you for purchasing this device. Check that all parts are complete and faultless. If any part is missing, contact the service. Also, contact the servicer in case of repair or damage. This device is intended only for home use. Another than intended use can void the warranty. Don't use it for commercial purposes.

### Technical description:

- Sturdy steel frame with covered weights
- Ergonomic padding and adjustable backrest made of synthetic leather (middle part can be adjusted to 3 positions)
- Horizontally and vertically adjustable seat (2 positions)
- Electroplated surface
- Made of 50 x 50 mm steel tubes
- Reinforced fiberglass pulleys with industrial bearings
- Cables made of coiled aircraft steel with highly durable vinyl surface
- Multi-purpose electronic counter for stair stepper, bench and upper and lower pulley
- Weights: 65 kg with high strength transfer (7 x 3.62kg (8 lbs.), 7 x 4.53kg (10 lbs.), 1 x 8kg fixed weight)
- Depending on the space available to you, you can place the stair stepper and parallel bar behind the rest of the equipment or on the right or left side (L-shaped assembly)
- Maximum user height: 195cm
- Base dimensions: L 230cm x W 85cm x H 215cm
- Space necessary for fully assembled multi-gym: L 264cm x W 130cm x H 215cm
- L-shaped base dimensions: L 198cm x W 130cm x H 215cm
- Space necessary for multi-gym assembled in L-shape: L 228cm x W 163cm x H 215cm
- Weight: 165.5kg
- Weight limit: 150kg
- Stair stepper weight limit: 120kg
- Category HC (EN 957)

### Strength transfer index according to TÜV/GS standards:

- Butterfly: 1:1.55
- Bench presses: 1:1.68
- Upper back pulley: 1:1.3
- Leg curls: 1:2

### Basic information:

1. It is intended only for home use. Don't use it for commercial purposes and don't exceed the load limit.
2. Work reasonably. Excessive workout can result in health complications.
3. Consult your physician prior to start any workout. It is necessary, if you have some health, pressure, orthopedic complications etc.
4. Producer is not responsible for injury occurring because of improper use or wrong assembly. Professional assembly recommended. For more information, contact the producer.

### **Safety precautions:**

Follow these instructions to use it safely:

- 1) The max. load is: 150 kg.
- 2) Certified as per EN957 in class HC. For home use only.
- 3) Don't use it in places with lack of air.
- 4) Protect from extreme temperatures, water and humidity.
- 5) Read the manual carefully before starting any workout.
- 6) Put it only on a flat and solid surface. Check its stability.
- 7) Keep a safety clearance of at least 2 m round this device.
- 8) Avoid overexertion or excessive loading.
- 9) All levers and adjusters must be properly secured.
- 10) Regularly check all bolts and nuts and retighten, if necessary. Check all components. Damaged or worn parts must be replaced immediately. Contact service for repair.**
- 11) Regularly check all screws and nuts. They must fit well.
- 12) Keep away from children and pets.
- 13) It is not a toy.
- 14) Retain the manual for future reference.

### **Important:**

Send in back only in original or another safe package to avoid machine damage.

Consult your physician. It is especially necessary if you are over 35 years of age or if you have some health problems.

### **Before use:**

Read the manual carefully and follow or assembly steps.

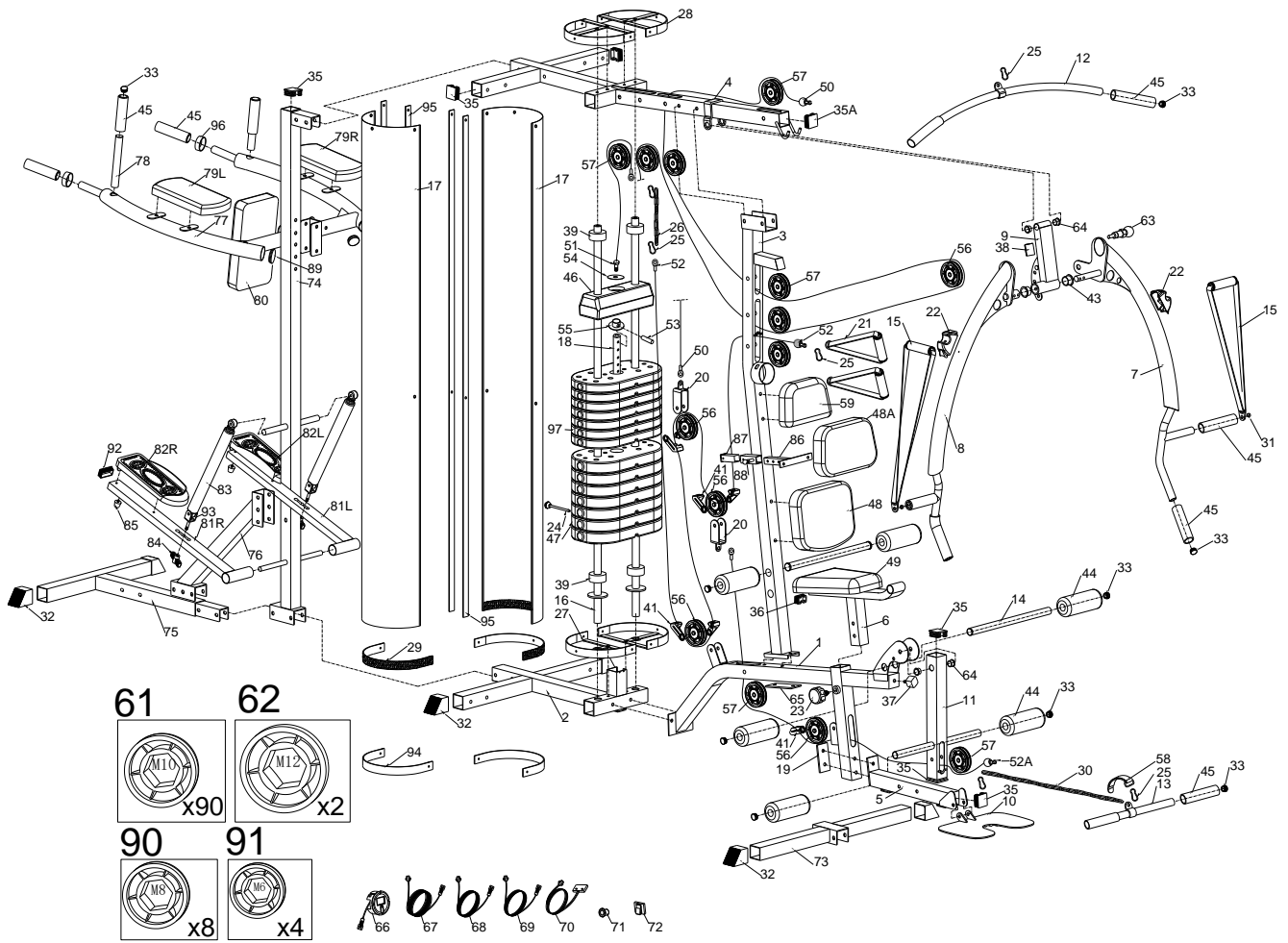
Put out all the parts and check no part is missing. Don't dispose the package material until the device is fully assembled. Follow pictures for easy installation.

## PARTS LIST

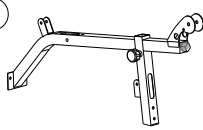
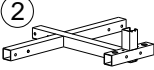
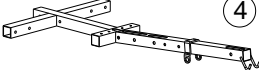


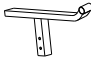

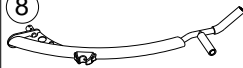


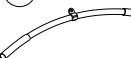



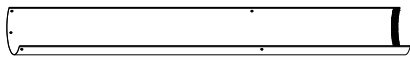
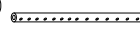


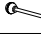

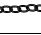


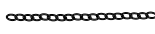

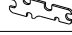






















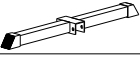
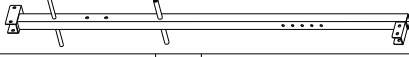
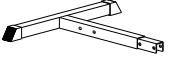
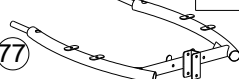
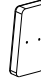





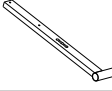





Part No.	Description	Q'ty	Part No.	Description	Q'ty
1	Main frame	1	64	Bushing D29*D21.5*D10.2	4
2	Middle floor frame	1	65	Fixing plate 50*120*3T	1
3	Front vertical support	1	66	Computer BC-80258	1
4	Top frame	1	67	Upper computer cable 720L	1
5	Front floor frame	1	68	Middle computer cable 550L	1
6	Seat support	1	69	Lower computer cable 400L	1
7	Left butterfly arm	1	70	Sensor cable 110L	1
8	Right butterfly arm	1	71	Plug D4*D12*13	2
9	Butterfly arm support	1	72	Nip for computer cable	3
10	Plate for foot	1	73	Front stabilizer	1
11	Leg extension tube	1	74	Rear vertical support	1
12	Upper pulling bar	1	75	Rear floor frame	1
13	Lower pulling bar	1	76	Rear incline support	1
14	Foam roller axle	2	77	Arm pad support	1
15	Belt (fabric) 40*650	2	78	Handlebar	2
16	Chrome guidance	2	79L	Left arm pad	1
17	Weight protector	2	79R	Right arm pad	1
18	Weight selector tube	1	80	Backrest	1
19	Fixing plate	1	81L	Left pedal support	1
20	Single pulley bracket	2	81R	Right pedal support	1
21	Belt (fabric) 240*130	2	82L	Left pedal	1
22	Cover 100.3*48*45	2	82R	Right pedal	1
23	<b>Knob D56*M16*24*D8</b>	1	83	Hydraulic cylinder	2
24	Ball pin	1	84	T-shape knob	1
25	Hook D8*80	6	85	Buffer D33*D44*41.5	2
26	Chain D4.8*18*34*248	1	86	Prop support	1
27	Lower weight protector support	2	87	Hollow cap 30*30*65L	1
28	Upper weight protector support	2	88	Knob D30*M16*1.5*29*D8	1
29	Ankle strap 496*30	2	89	Round cap D50*15	2
30	Chain D4.8*18*34*613	1	90	Screw cap D28*14 (M8)	8
31	Bushing D10*D12*5T	2	91	Screw cap D28*17 (M6)	4
32	<b>Foot cap 50*50*76.5*4.5t</b>	6	92	Square cap 50*50*18.5	2

33	Round cap D1''*17.5	16	93	Fixing bracket for Hydraulic cylinder	2
34	Spanner	2	94	Curved plate	2
35	Square cap 50*50*18.5	5	95	Fixing tube	4
35A	Square cap 50*50*20L	1	96	Hollow cap D50.8*D26*D20L	2
36	Square cap 20*50*14	1	97	Mid weight plate	7
37	Buffer 35*35*25	1	100	Bolt M10*1.5*75L	14
38	Square buffer 42*42*5T	1	101	Flat washer D20*D11*2T	76
39	Round buffer D60*D26*26T	2	102	Nylon nut M10*1.5*10T	37
40	Allen spanner	1	103	Bolt M10*1.5*65L	18
41	Pulley guidance	7	104	Bolt M10*1.5*70L	4
42	Plastic ring of pulley	7	105	Screw M8*25L	2
43	Bushing D38*D35.2*32	2	106	Flat washer D24*D13.5*2.5T	2
44	Foam D23*D80*175L	6	107	Nylon nut M12*1.75*12T	1
45	Foam D23*D35*127L	12	108	Bolt M10*1.5*55L	1
46	Upper weight plate	1	109	Bolt M10*1.5*40L	2
47	Lower weight plate	7	110	Bolt M10*1.5*20L	2
48	Lower backrest	1	111	Bolt M12*1.75*85L	1
48A	Middle backrest	1	112	Bolt M10*1.5*60L	3
49	Seat	1	113	Bolt M10*1.5*95L	1
50	Cable (III) 3270L	1	114	Bolt M10*1.5*25L	10
51	Cable (IV) 1430L	1	115	<i>Bolt M5*0.8*20L</i>	6
52	Cable (II) 2965L	1	116	Flat washer D15*D5.2*1.0T	6
52A	Cable (I) 1535L	1	117	Bolt M6*1*20L	4
53	Upper weight selector pin	1	118	Flat washer D14*D6.5*0.8T	12
54	Flat washer D47.5*D13*3T	1	119	Nylon nut M6*1*6T	4
55	Upper weight selector socket	1	120	Bolt M8*1.25*15L	2
56	Raised pulley D90*D10*28.5	5	121	Flat washer D28*D8.5*3T	4
57	<b>Flat pulley D90*D10*24</b>	9	122	Flat washer D38*D8.5*3T	2
58	Ankle strap 295*95	1	123	Flat washer D19*D8.5*1.6T	8+4
59	Head pad	1	124	Bolt M6*1*35L	2
60	Bushing D18*D10*14.5	18	125	Bolt M8*1.25*20L	6
61	Screw cap D28*17*(M10)	90	126	Spring washer D15.4*D8.2*2T	4
62	Screw cap D30*17*(M12)	2	127	Bolt M6*1*40L	2
63	Spring pin	1	128	Bolt M8*65L	4

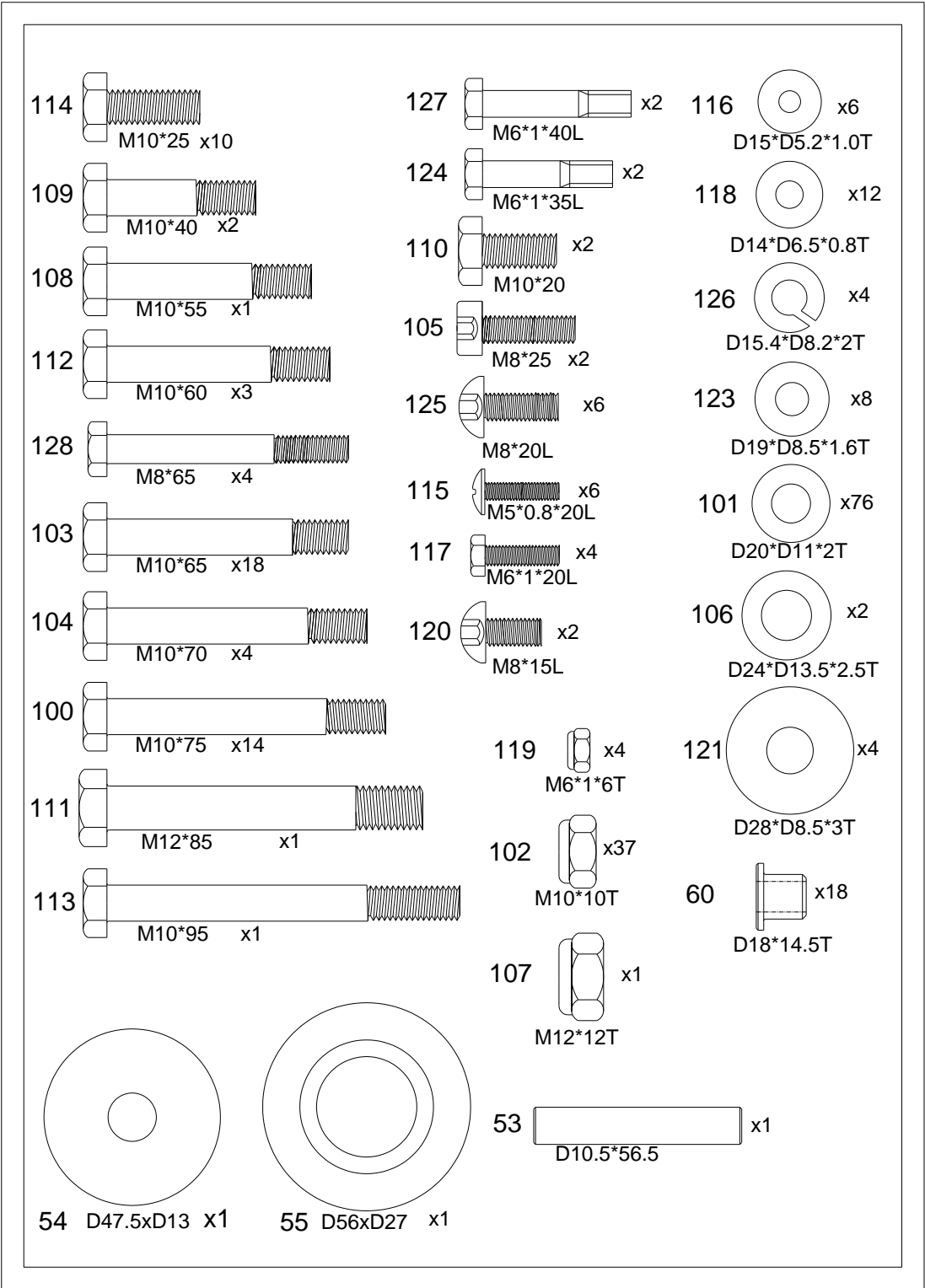
# EXPLODED DRAWING



## Checking list

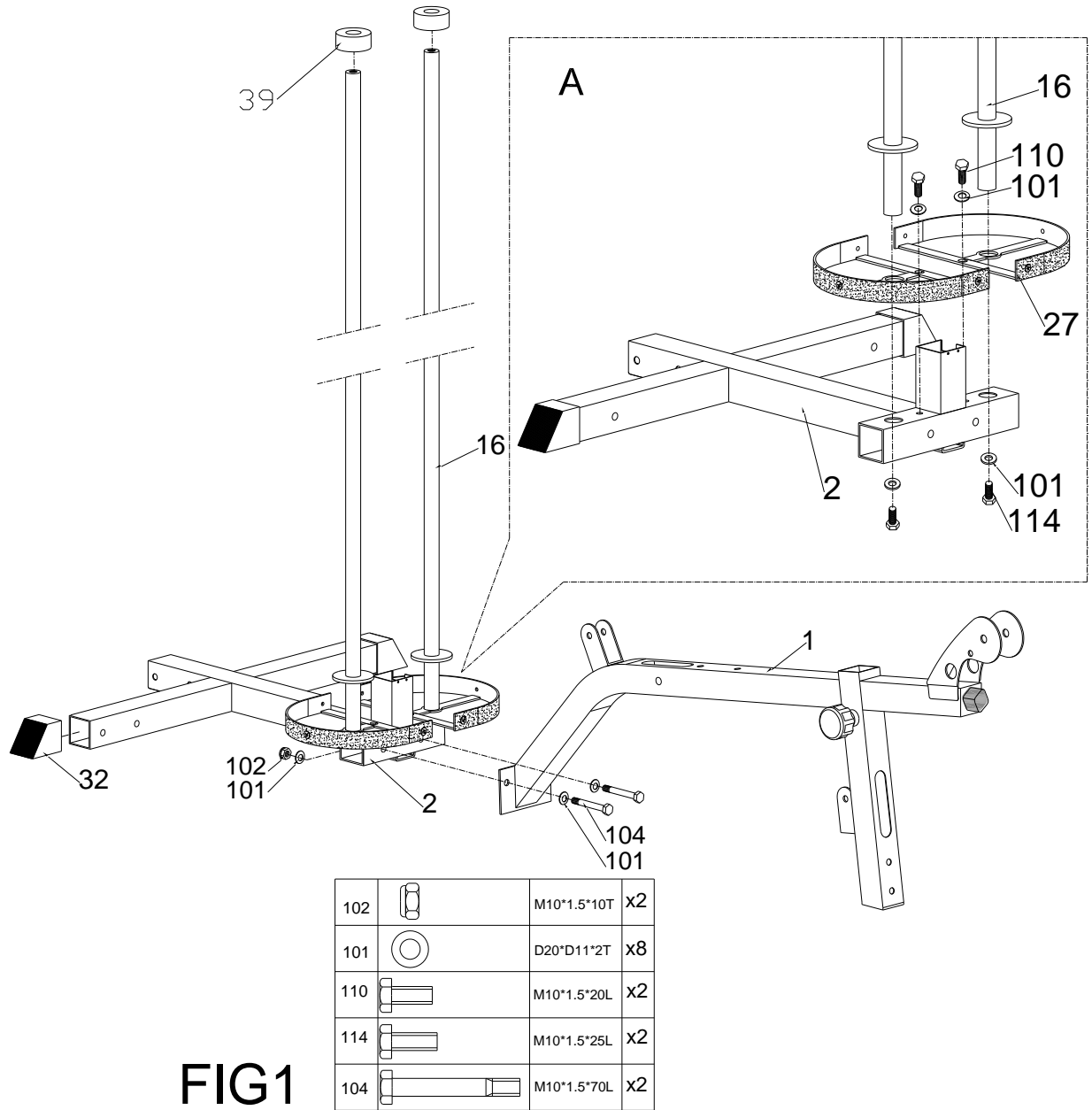
①		x1	②		x1	④		x1
			③		x1			
⑤		x1	⑥		x1	⑦		x1
⑧		x1	⑨		x1	⑩		x1
⑪		x1	⑫		x1	⑬		x1
⑭		x2	⑮		x2	⑯		x2
⑰		x2	⑱		x1			
⑲		x1	⑳		x2	㉑		x2
㉔		x1	㉕		x6	㉖		x1
㉗		x2	㉘		x2	㉚		x1
㉛		x2	㉜		x2	㉞		x2
㉝		x2	㉟		x1	㊱		x4
④①		x1	④②		x7	④③		x7
④④		x6	④⑥		x1	④⑦		x7
④⑧		x1	④⑧A		x1	④⑨		x1
⑤①		x1	⑤②		x1	⑤③		x1
⑤②A		x1	⑤⑥		x5	⑤⑦		x9
⑤⑧		x1	⑤⑨		x1	⑥①		x90
⑥②		x2	⑥⑤		x1	⑥⑥		x1
⑥⑧		x1				⑨⑦		x7
⑦③		x1	⑦④		x1			
⑦⑤		x1	⑦⑦			⑧①		x1
⑦⑥		x1	⑦⑧		x2	⑦⑨L		x1
⑦⑨R		x1	⑧①L		x1	⑧①R		x1
⑧②L		x1	⑧②R		x1	⑧③		x2
⑧⑤		x2	⑧⑥		x1	⑨①		x8
⑨①		x4	⑨④		x2			





# ASSEMBLY

## Step 1



**FIG1**

- 1) Assemble the main frame (1) to the middle floor frame (2) by the flat washer (101), the nylon nut (102) and the bolt (104).
- 2) Assemble the lower weight protector (27) and the chrome guidance (16) to the middle floor frame (2) by the flat washer (101), the bolt (110) and the bolt (114) shown as fig. A.
- 3) Assemble the foot cap (32) to the middle floor frame (2).

Step 2

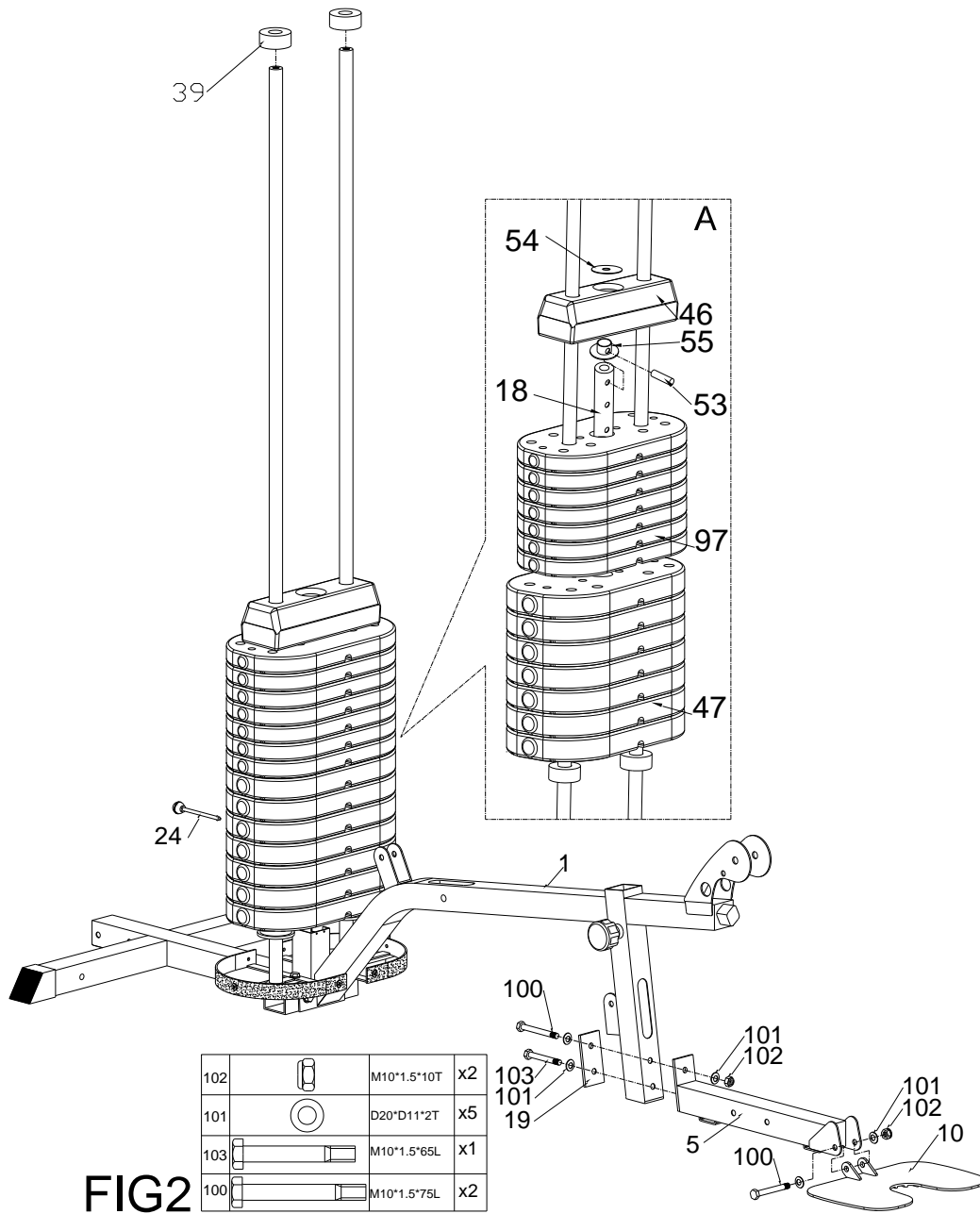


FIG2

- 1) Assemble the lower weight plate (47), the mid weight plate (97) and the upper weight plate (46) to the chrome guidance (16) shown as fig. A. Put the flat washer (54) on the hole of the upper weight plate (46).
- 2) Assemble the upper weight selector socket (55) to the weight selector tube (18) and fix the socket by the upper weight selector pin (53). Put the weight selector tube (18) in the hole of weight plates.
- 3) Assemble the front floor frame (5) to the main frame (1) by the fixing plate (19), the flat washer (101), the bolt (103) and the bolt (100) and the nylon nut (102).
- 4) Assemble the plate for foot (10) to the front floor frame (5) by the bolt (100), the flat washer (101) and the nylon nut (102).
- 5) Users could select the quantity of the weight plates by the ball pin (24).

Step 3

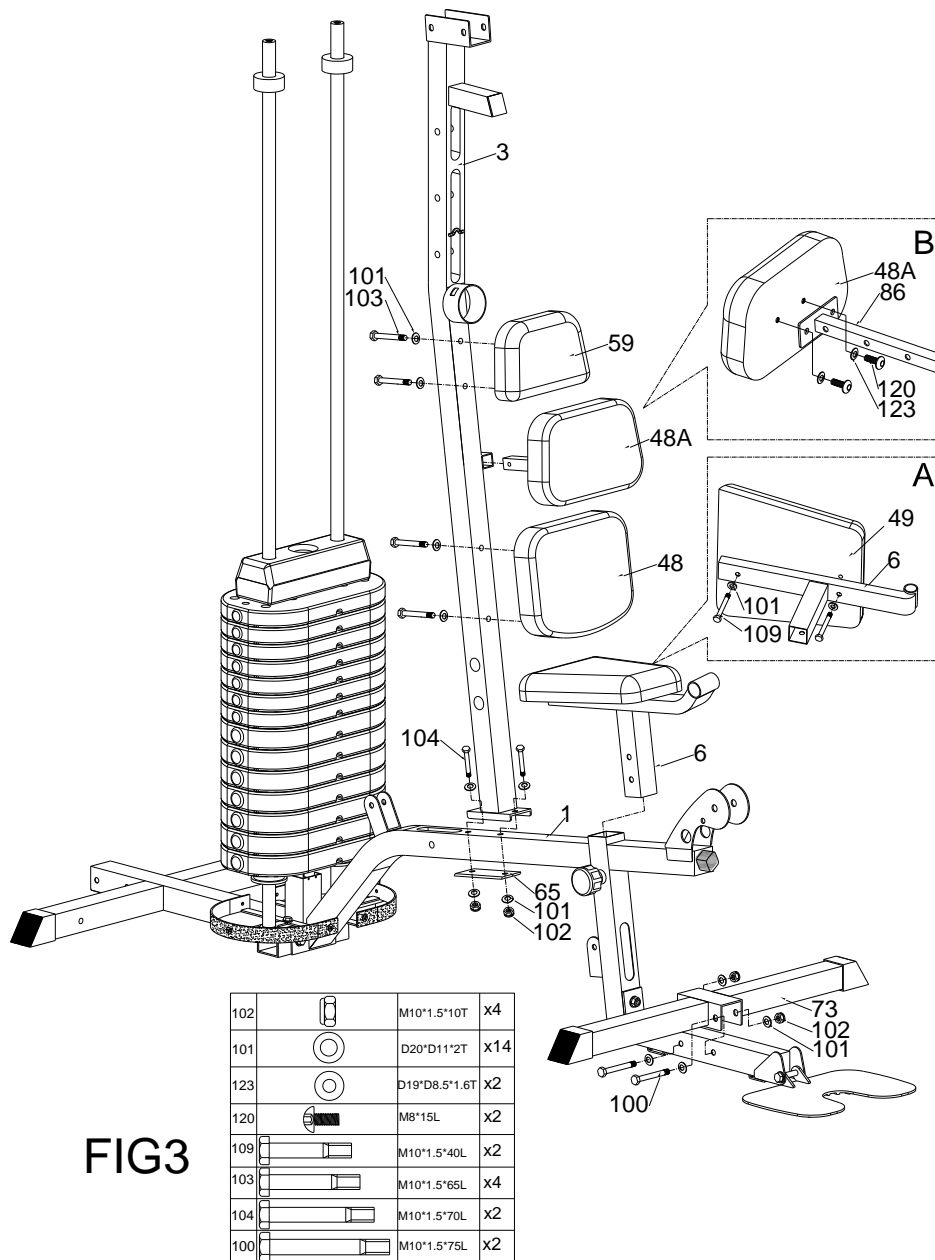
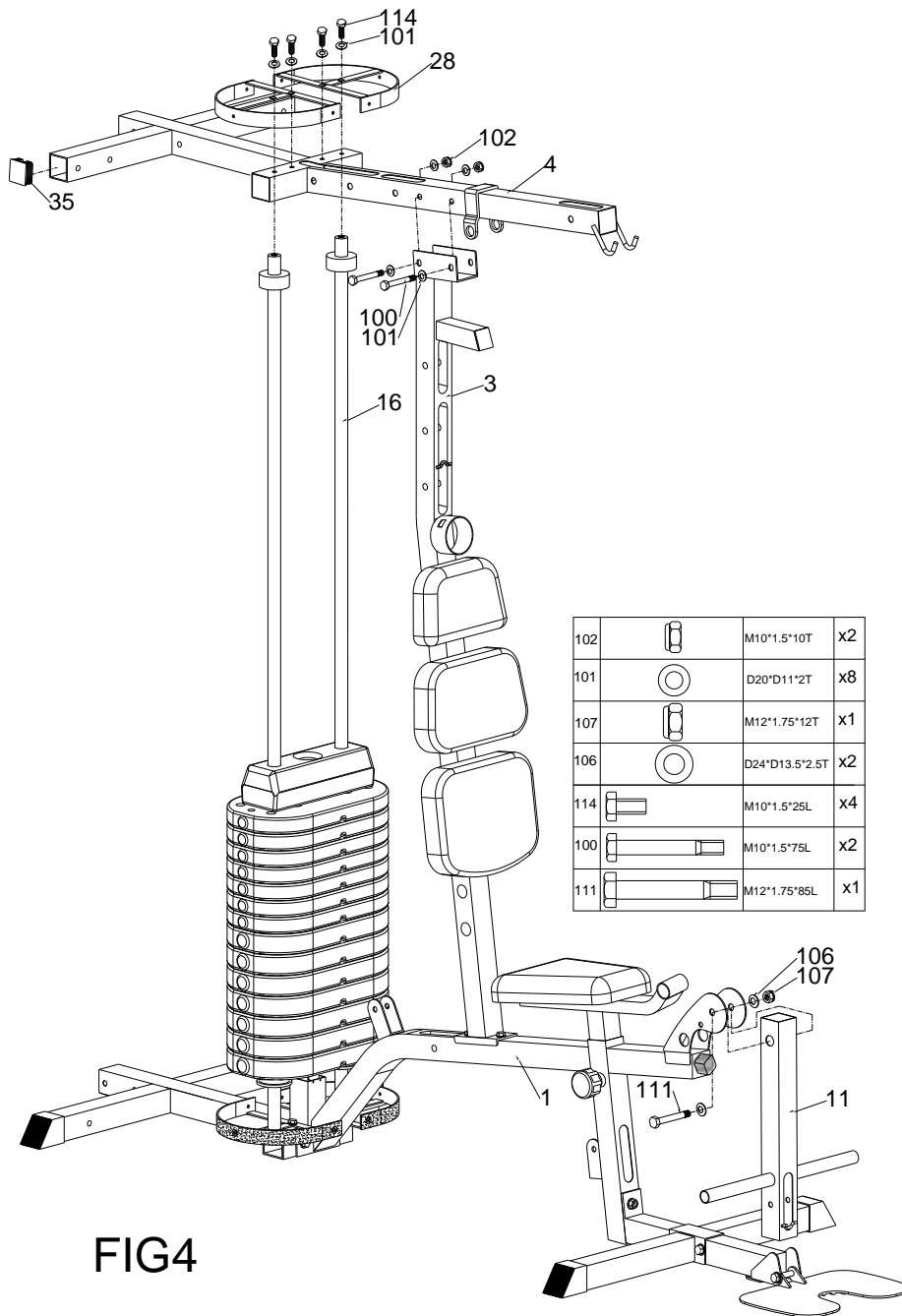


FIG3

- 1) Assemble the front vertical support (3) to the main frame (1) by the fixing plate (65), the flat washer (101), the bolt (104) and the nylon nut (102).
- 2) Assemble the seat (49) to the seat support (6) by the flat washer (101) and the bolt (109) shown as fig. A. Assemble the seat support (6) to the main frame (1).
- 3) Assemble the middle backrest (48A) to the prop support (86) by the bolt (120) and the flat washer (123) shown as fig. B.
- 4) Assemble the head pad (59), the middle backrest (48A) and the lower backrest (48) to the front vertical support (3) by the flat washer (101) and the bolt (103).
- 5) Assemble the front stabilizer (73) to the front floor frame (5) by the bolt (100), the flat washer (101) and the nylon nut (102).

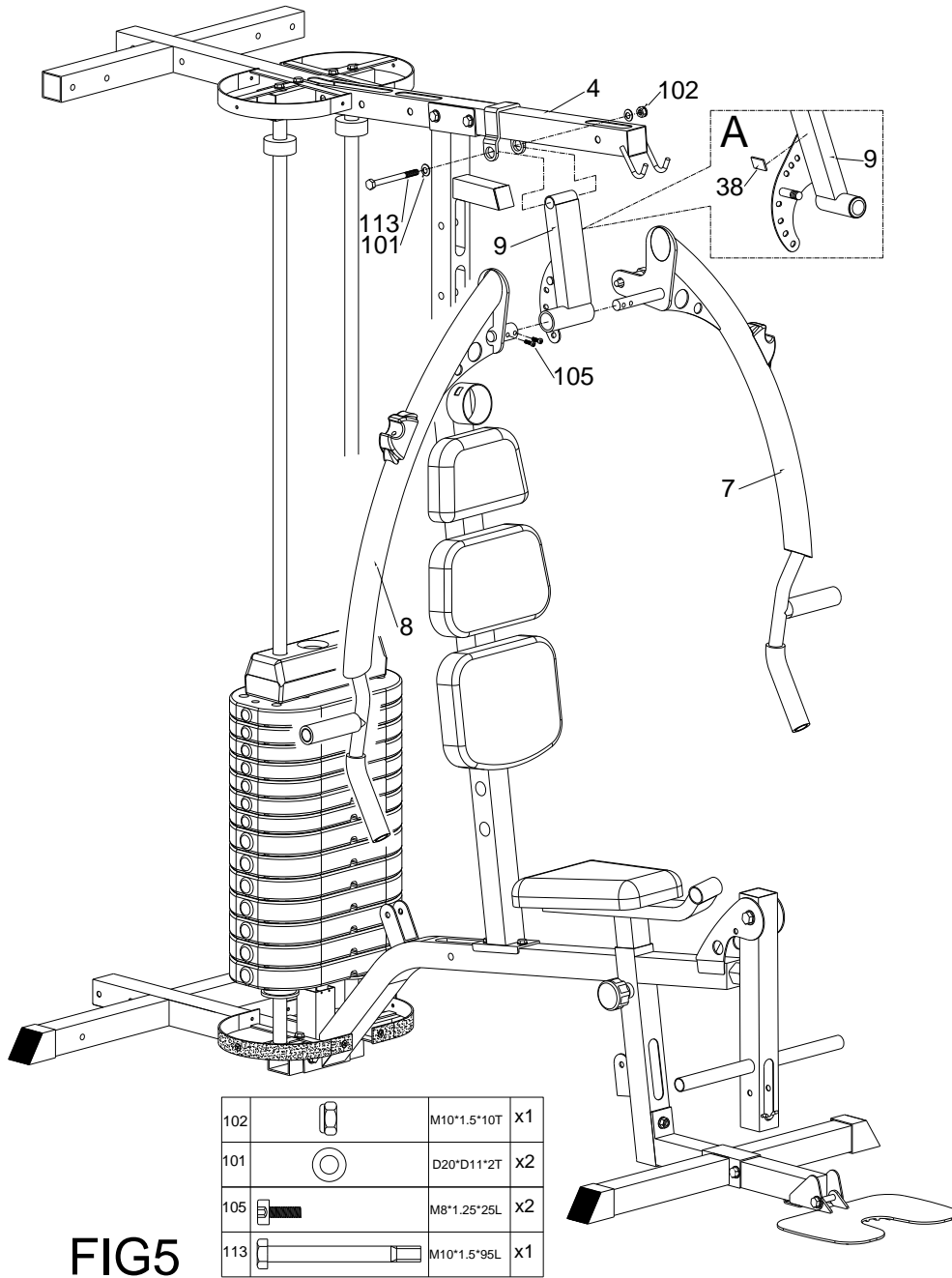
**Step 4**



**FIG4**

- 1) Assemble the top frame (4) to the chrome guidance (16) and the front vertical support (3). Assemble the square cap (35) to the top frame (4).
- 2) Assemble the upper weight protector support (28) to the top frame.
- 3) Fix the upper weight protector support (28), the top frame (4) and the chrome guidance (16) by the flat washer (101) and the bolt (114).
- 4) Fix the top frame (4) to the front vertical support (3) by the bolt (100), the flat washer (101) and the nylon nut (102).
- 5) Assemble the leg extension tube (11) to the main frame (1) by the flat washer (106), the nylon nut (107) and the bolt (111).

**Step 5**



**FIG5**

- 1) Assemble the butterfly arm support (9) to the top frame (4) by the flat washer (101), the nylon nut (102) and the bolt (113).
- 2) Assemble the left butterfly arm (7) and the right butterfly arm (8) to the butterfly arm support (9) by the screw (105).
- 3) Attach the square buffer (38) on the butterfly arm support (9) shown as fig A.

Step 6

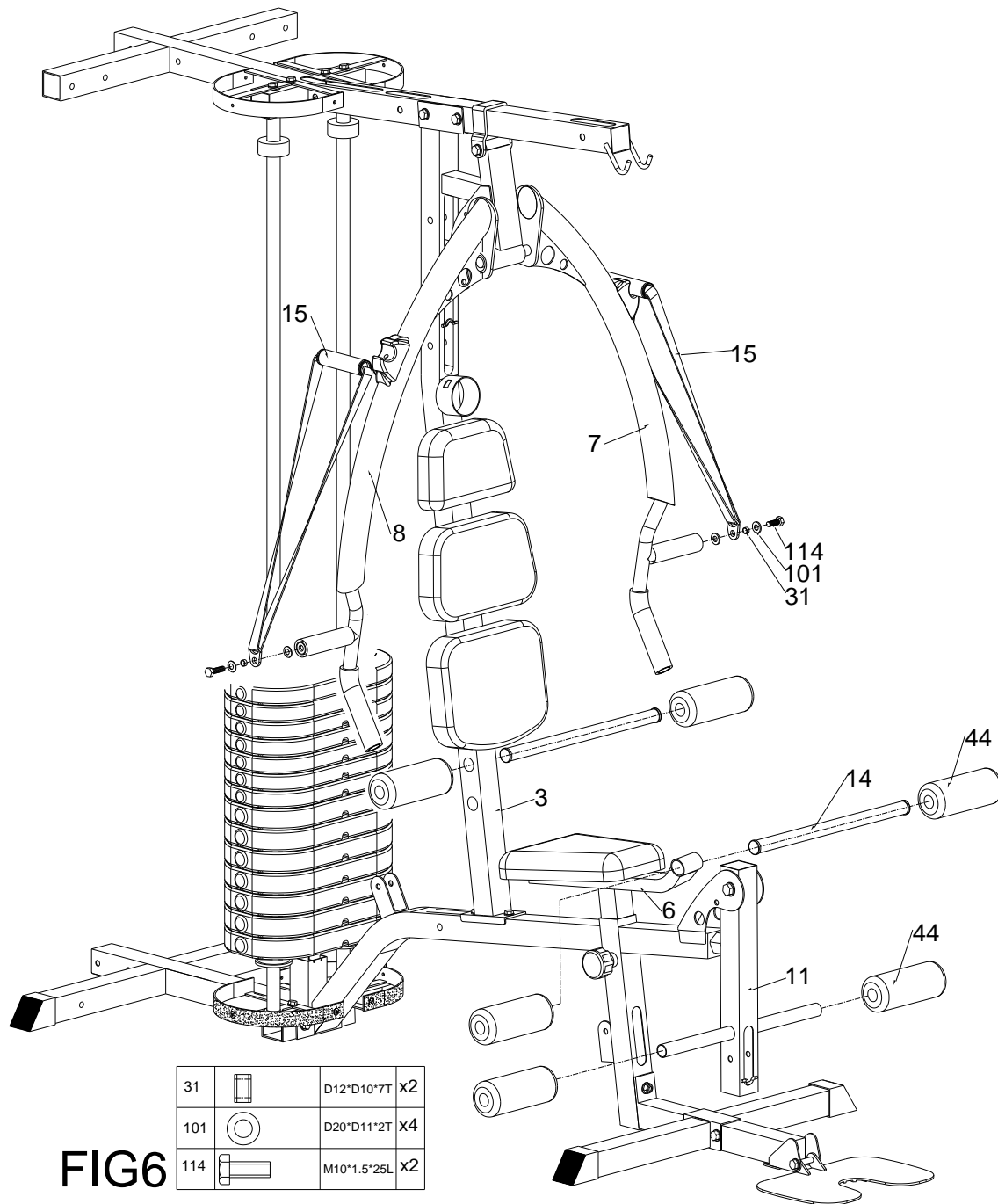


FIG6

- 1) Assemble the belt (fabric) (15) to the left butterfly arm (7) and the right butterfly arm (8) by the bushing (31), the flat washer (101) and the bolt (114).
- 2) Assemble the foam roller axle (14) to the front vertical support (3), the seat support (6) and the leg extension tube (11). Assemble the foam (44) to the foam roller axle (14).

## Step 7

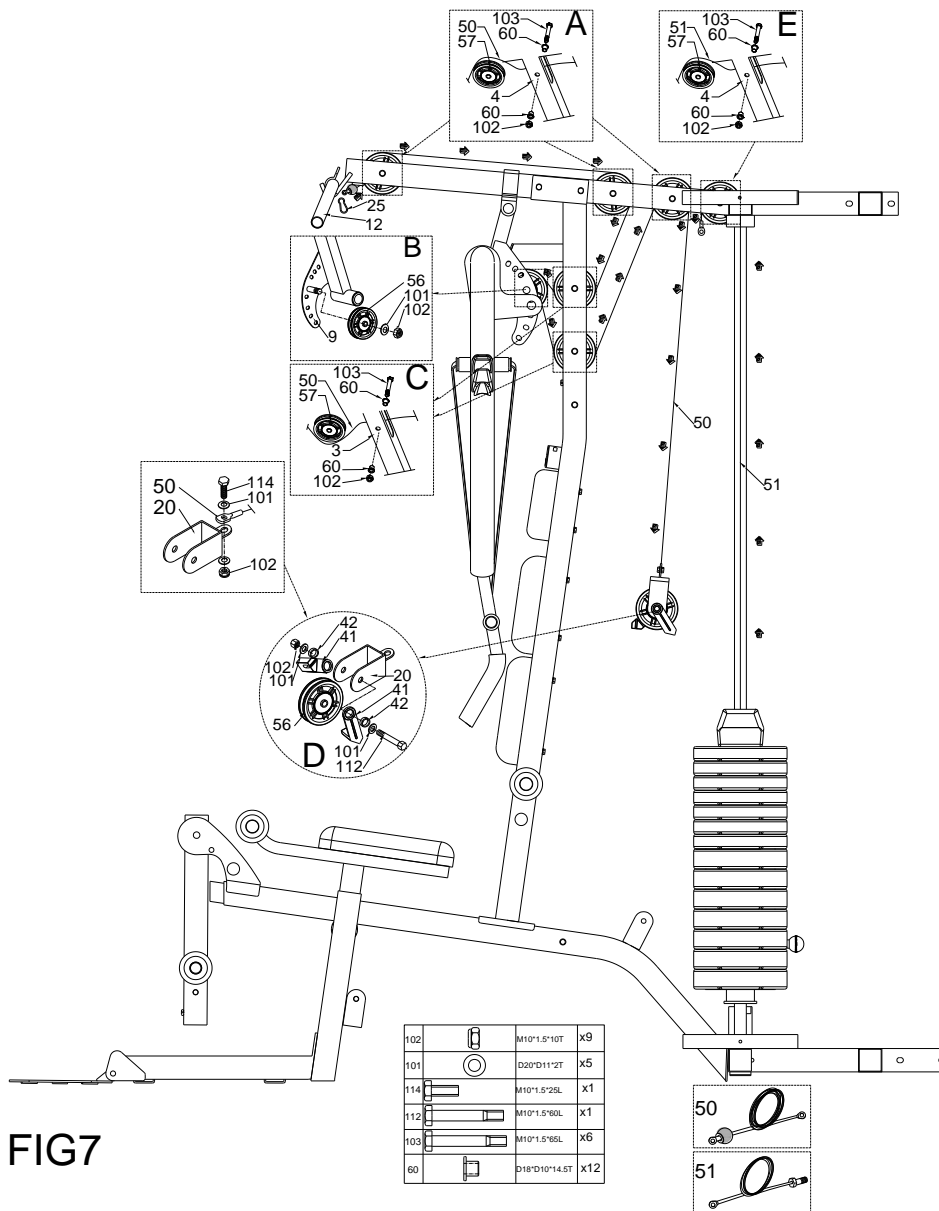
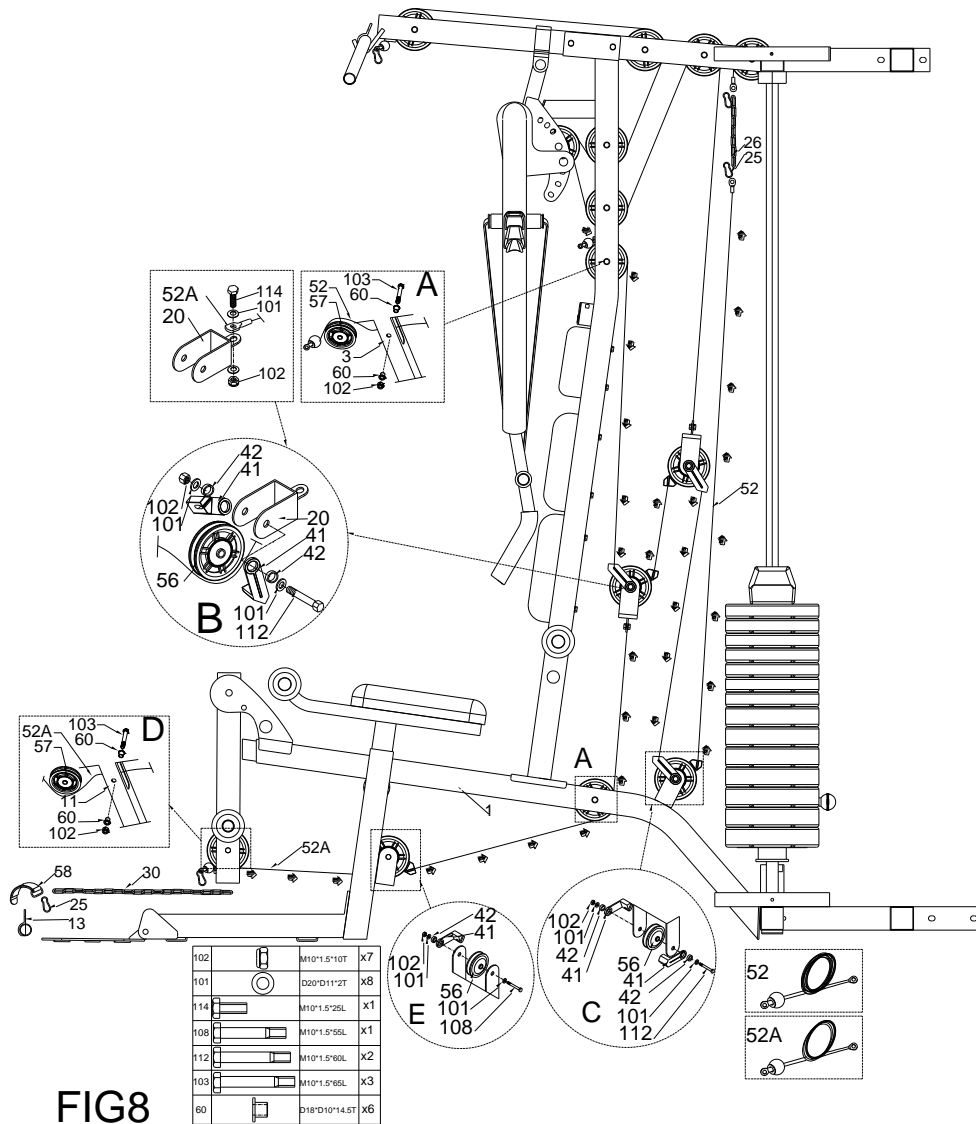


FIG7

- 1) Assemble the flat pulley (57) to the top frame (4) by the bushing (60), the bolt (103) and the nylon nut (102) shown as fig. A.
- 2) Assemble the raised pulley (56) to the butterfly arm support (9) by the flat washer (101) and the nylon nut (102) shown as fig. B.
- 3) Assemble the flat pulley (57) to the front vertical support (3) by the bushing (60), the bolt (103) and the nylon nut (102) shown as fig. C.
- 4) Assemble the raised pulley (56) to the single pulley bracket (20) by the pulley guidance (41), the plastic ring of pulley (42), the flat washer (101) and the nylon nut (102) shown as fig. D.
- 5) Assemble the cable (50) shown as the arrows. Assemble the end with loop of the cable (50) to the single pulley bracket (20) by the flat washer (101), the nylon nut (102) and the bolt (114).
- 6) Assemble the upper pulling bar (12) to the top frame (4) by the hook (25).
- 7) Assemble the flat pulley (57) to the top frame (4) by the bushing (60), the bolt (103) and the nylon nut (102) shown as fig. E. Assemble the cable (51) shown as the arrows.

## Step 8

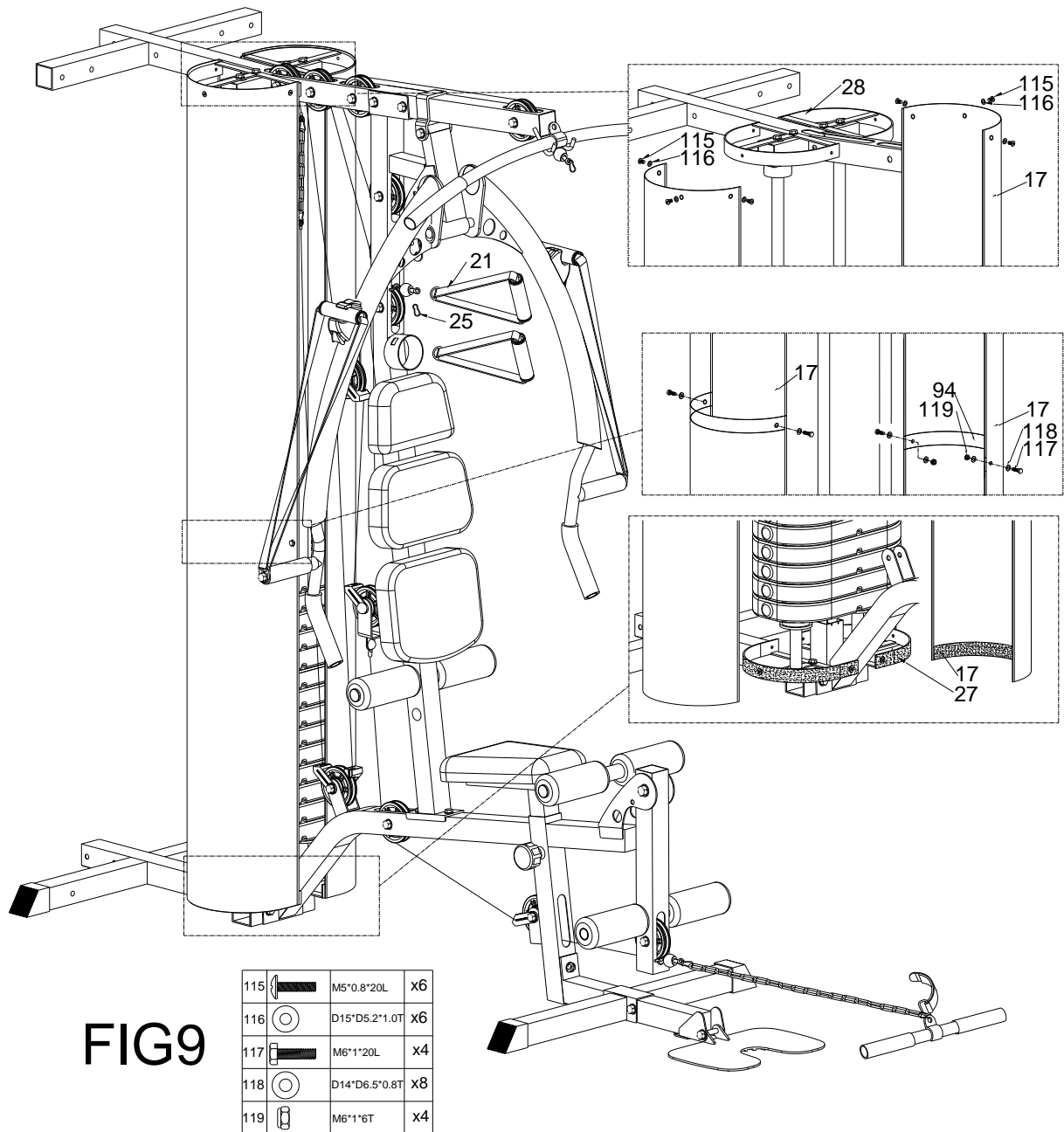




**FIG8**

- 1) Assemble the flat pulley (57) to the front vertical support (3) by the bushing (60), the bolt (103) and the nylon nut (102) shown as fig. A.
- 2) Assemble the raised pulley (56) to the single pulley bracket (20) by the pulley guidance (41), the plastic ring of pulley (42), the flat washer (101), the bolt (112) and the nylon nut (102) shown as fig. B.
- 3) Assemble the raised pulley (56) to the main frame (1) by the pulley guidance (41), the plastic ring of pulley (42), the flat washer (101), the bolt (112) and the nylon nut (102) shown as fig. C.
- 4) Assemble the cable (52) shown as arrows. Connect the cable (52) with the cable (51) by the hook (25) and the chain (26).
- 5) Assemble the flat pulley (57) to the leg extension tube (11) by the bushing (60), the bolt (103) and the nylon nut (102) shown as fig. D.
- 6) Assemble the raised pulley (56) to the main frame (1) by the pulley guidance (41), the plastic ring of pulley (42), the flat washer (101), the bolt (108) and the nylon nut (102) shown as fig. E.
- 7) Assemble the cable (52A) shown as arrows. Assemble the lower pulling bar (13) or the ankle strap (58) to the end of the cable (52A) by the chain (30) and the hook (25).

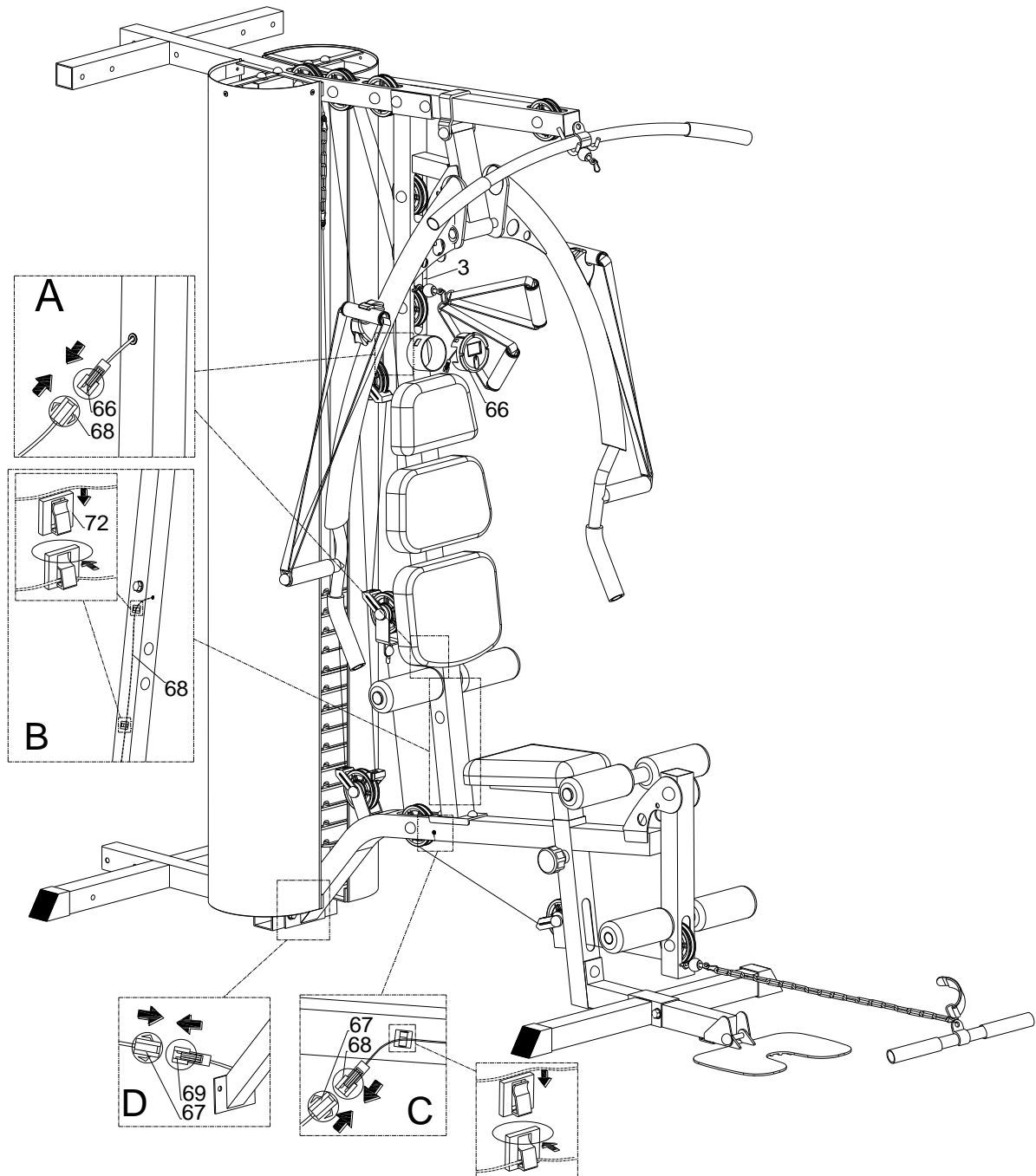
**Step 9**



**FIG9**

- 1) Assemble the curved plate (94) to the weight protector (17) by the bolt (117), the flat washer (118) and the nylon nut (119).
- 2) Assemble the weight protector (17) to the lower weight protector support (27) and the upper weight protector support (28) by the bolt (115) and the flat washer (116).

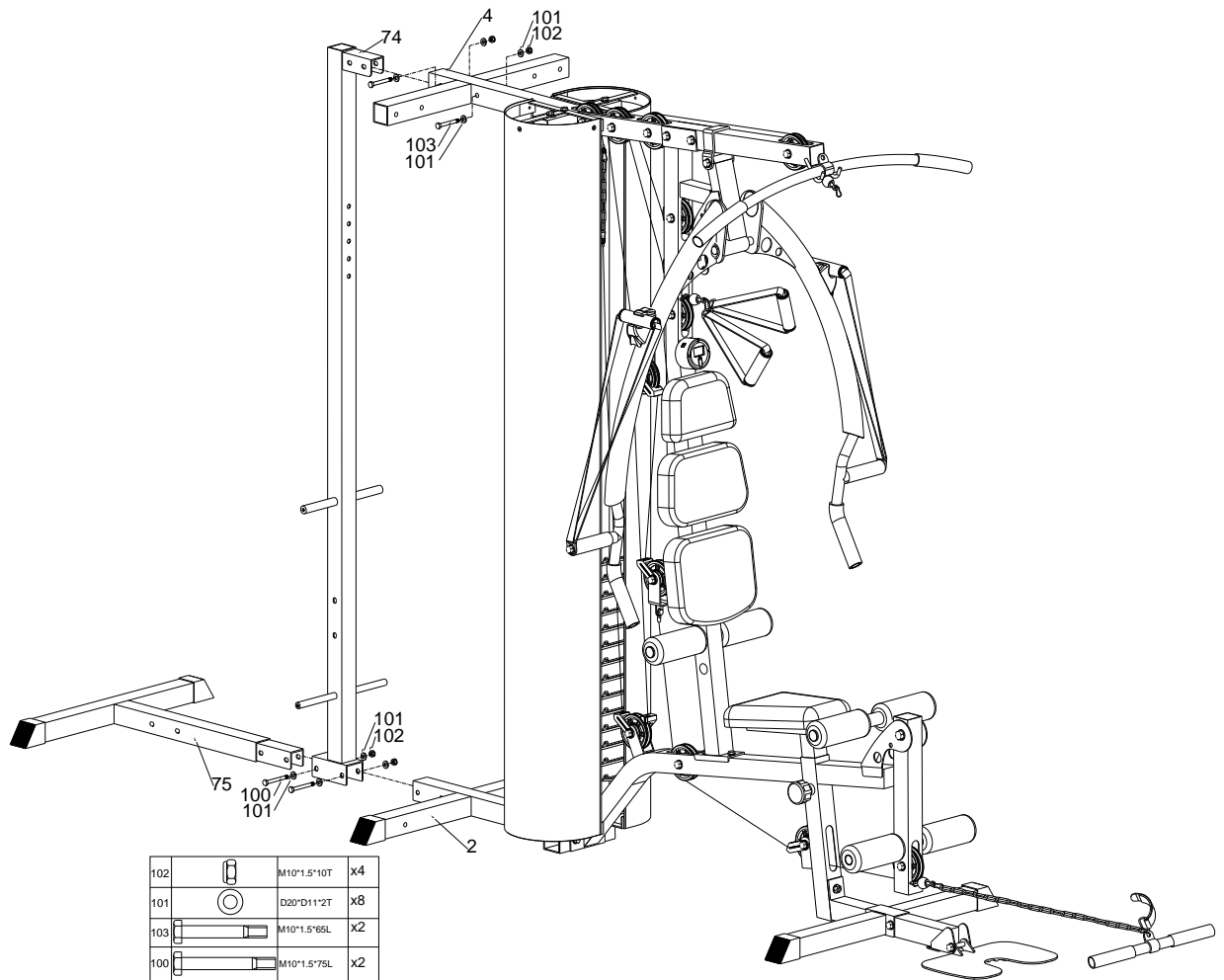
**Step 10**



**FIG10**

- 1) Assemble the computer (66) to the front vertical support (3).
- 2) Connect the cable that is pre-assembled to the computer (66) with the middle computer cable (68) shown as fig. A.
- 3) Fix the middle computer cable (68) by the nip for computer cable (72) shown as fig. B.
- 4) Connect the upper computer cable (67) with the middle computer cable (68) shown as fig. C.
- 5) Connect the upper computer cable (67) with the lower computer cable (69) shown as fig. D.

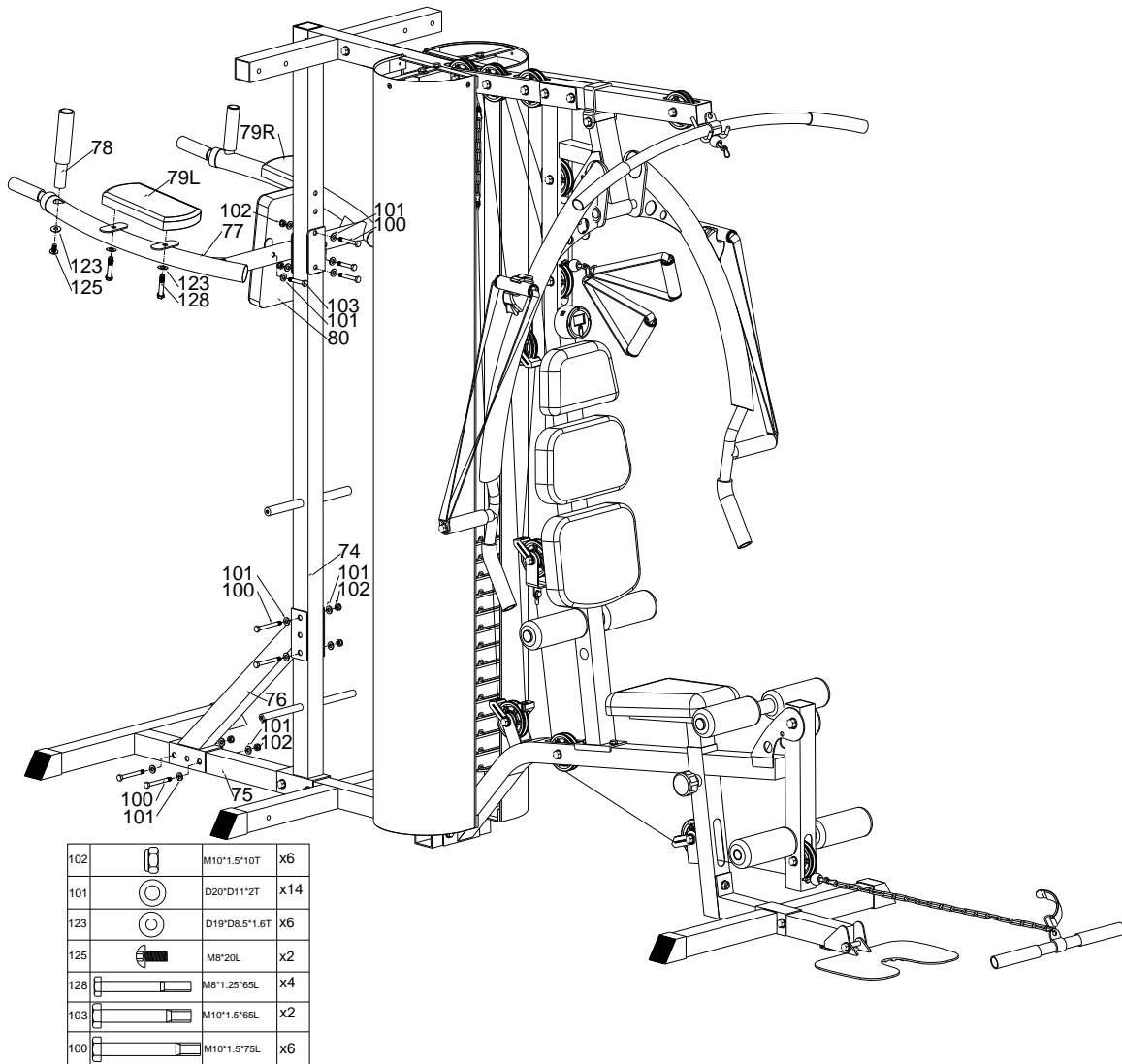
**Step 11**



**FIG11**

- 1) Assemble the rear vertical support (74) to the top frame (4) by the flat washer (101), the nylon nut (102) and the bolt (103).
- 2) Assemble the rear floor frame (75) to the middle floor frame (2) and the rear vertical support (74) by the flat washer (101), the bolt (100) and the nylon nut (102).

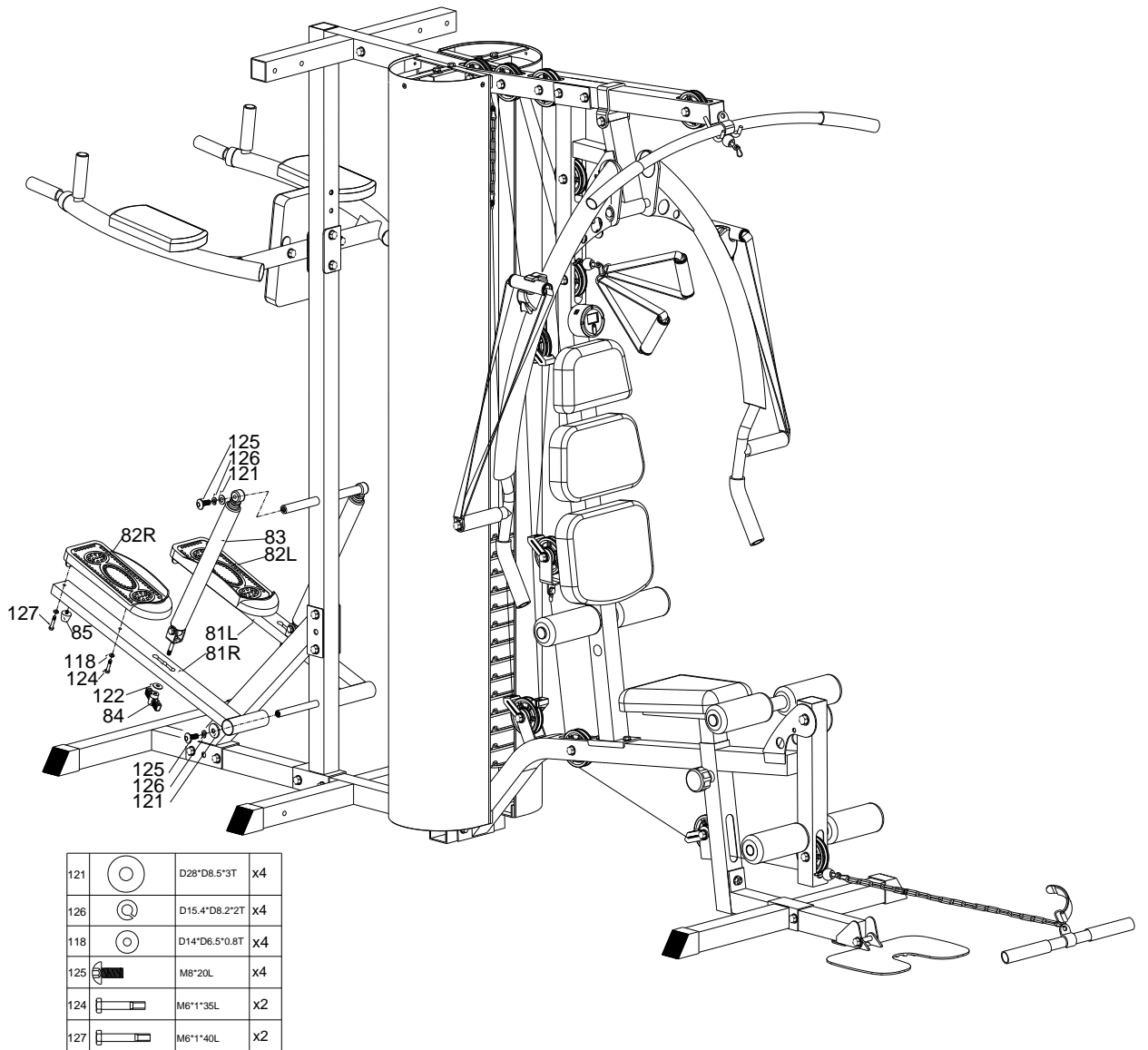
**Step 12**



**FIG12**

- 1) Assemble the arm pad support (77) to the rear vertical support (74) by the bolt (100), the flat washer (101) and the nylon nut (102).
- 2) Assemble the backrest (80) to the arm pad support (77) by the flat washer (101) and the bolt (103).
- 3) Assemble the left arm pad (79L) and the right arm pad (79R) to the arm pad support (77) by the flat washer (123) and the bolt (128).
- 4) Assemble the handlebar (78) to the arm pad support (77) by the flat washer (123) and the bolt (125).
- 5) Assemble the rear incline support (76) to the rear vertical support (74), and to the rear floor frame (75) by the bolt (100), the flat washer (101) and the nylon nut (102).

### Step 13



## FIG13

- 1) Assemble the left pedal support (81L) and the right pedal support (81R) to the rear vertical support (74) by the flat washer (121), the bolt (125) and the spring washer (126).
- 2) Assemble the Hydraulic cylinder (83) to the rear vertical support (74) by the flat washer (121), the bolt (125) and the spring washer (126). Assemble the Hydraulic cylinder (83) to the left pedal support (81L) and the right pedal support (81R) by the T-shape knob (84) and the flat washer (122).
- 3) Assemble the left pedal (82L) and the right pedal (82R) to the pedal support (81L&81R) by the flat washer (118), the bolt (124) and the bolt (127).
- 4) Assemble the buffer (85) to the pedal support (81L&81R).

Step 14

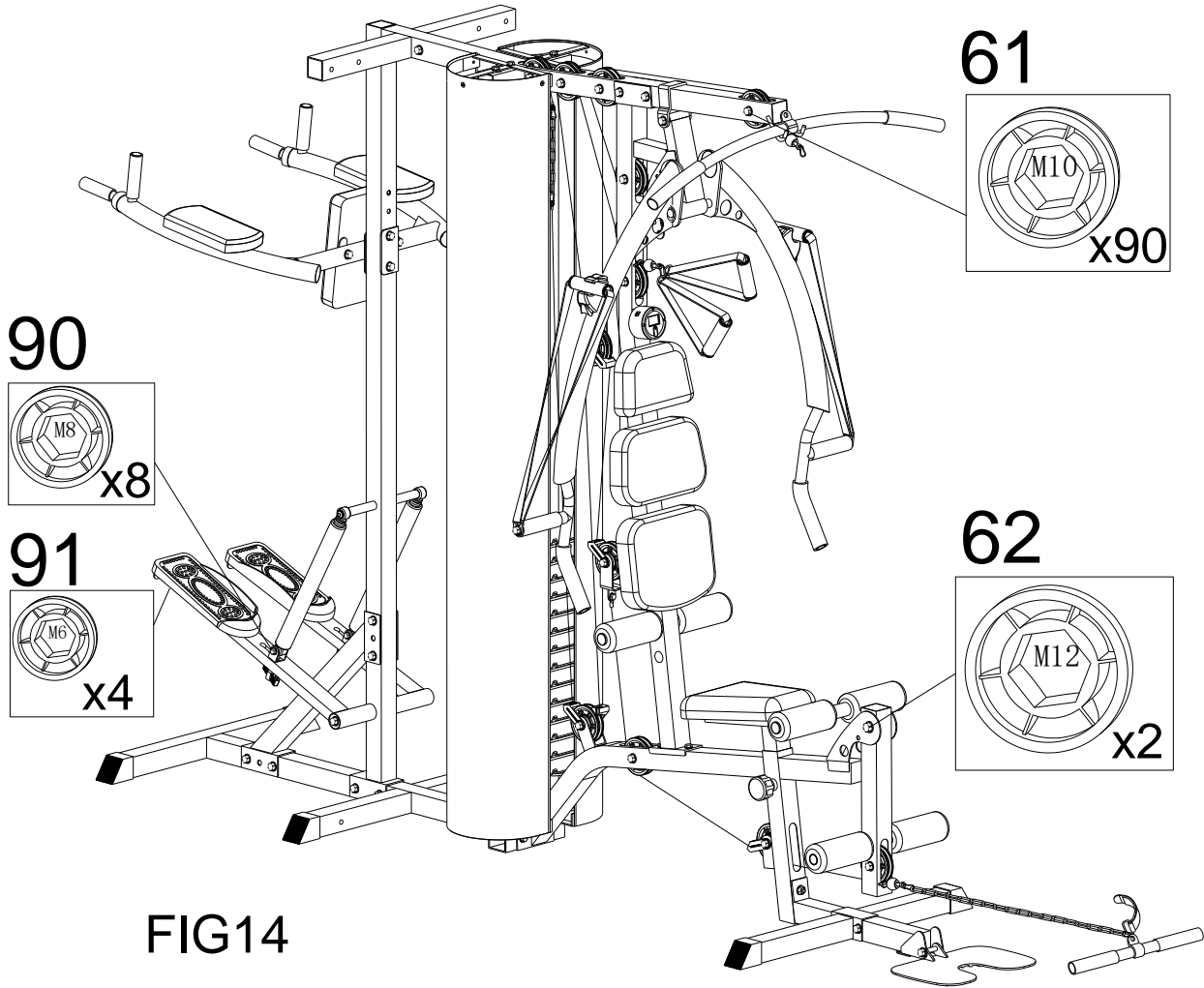
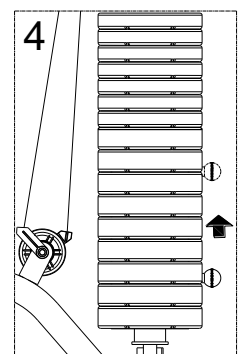
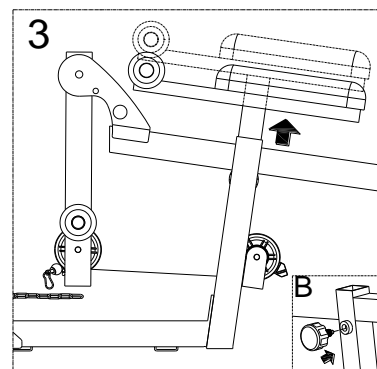
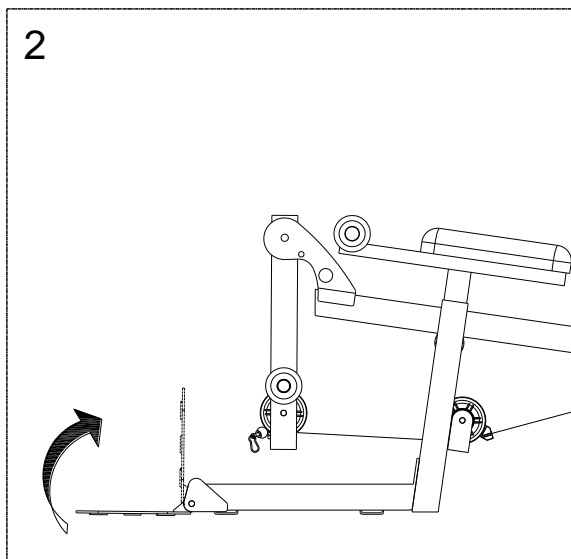
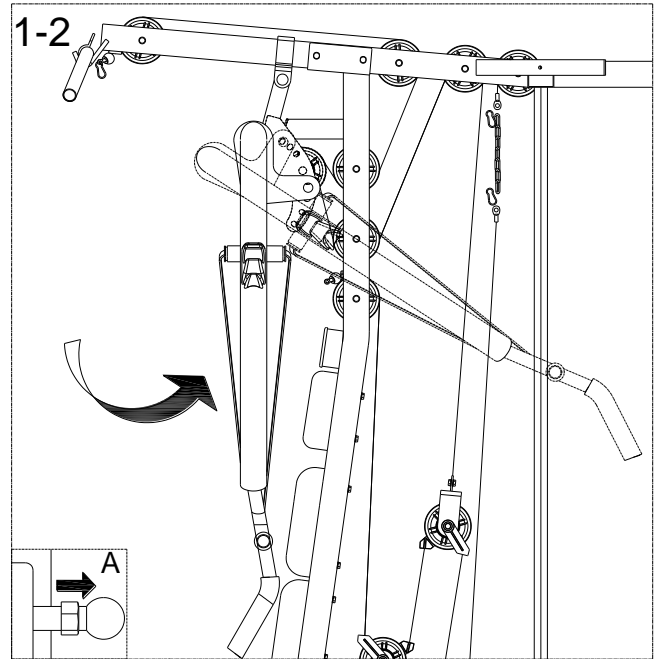
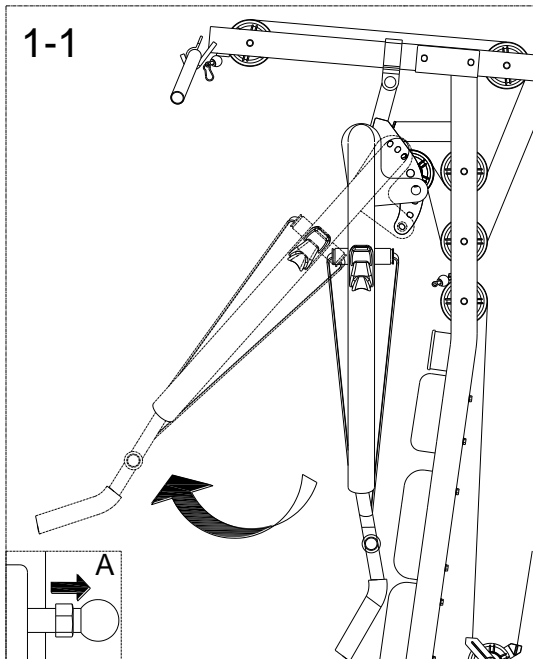


FIG14

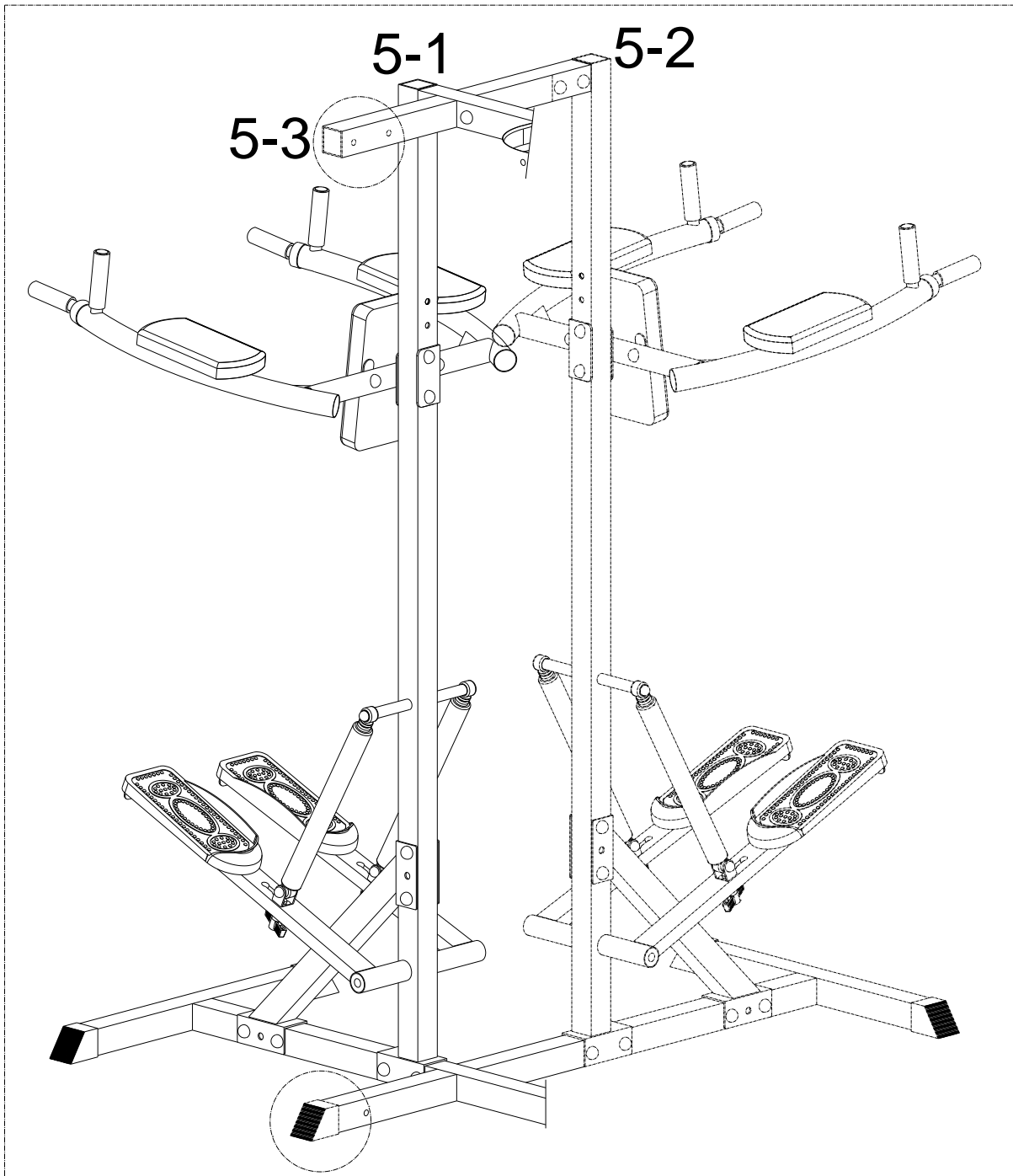
Assemble the screw cap (61&62&90&91) to the screws.

## Notes



- 1) Users could pull the butterfly arm forward and backward according to different target for exercise shown as fig. 1-1 and fig 1-2.
- 2) The plate for foot could be adjusted vertically shown as fig. 2.
- 3) The height of the seat could be adjusted by turning the knob shown as fig. B.
- 4) Users could select the quantity of the weight plates by the ball pin.





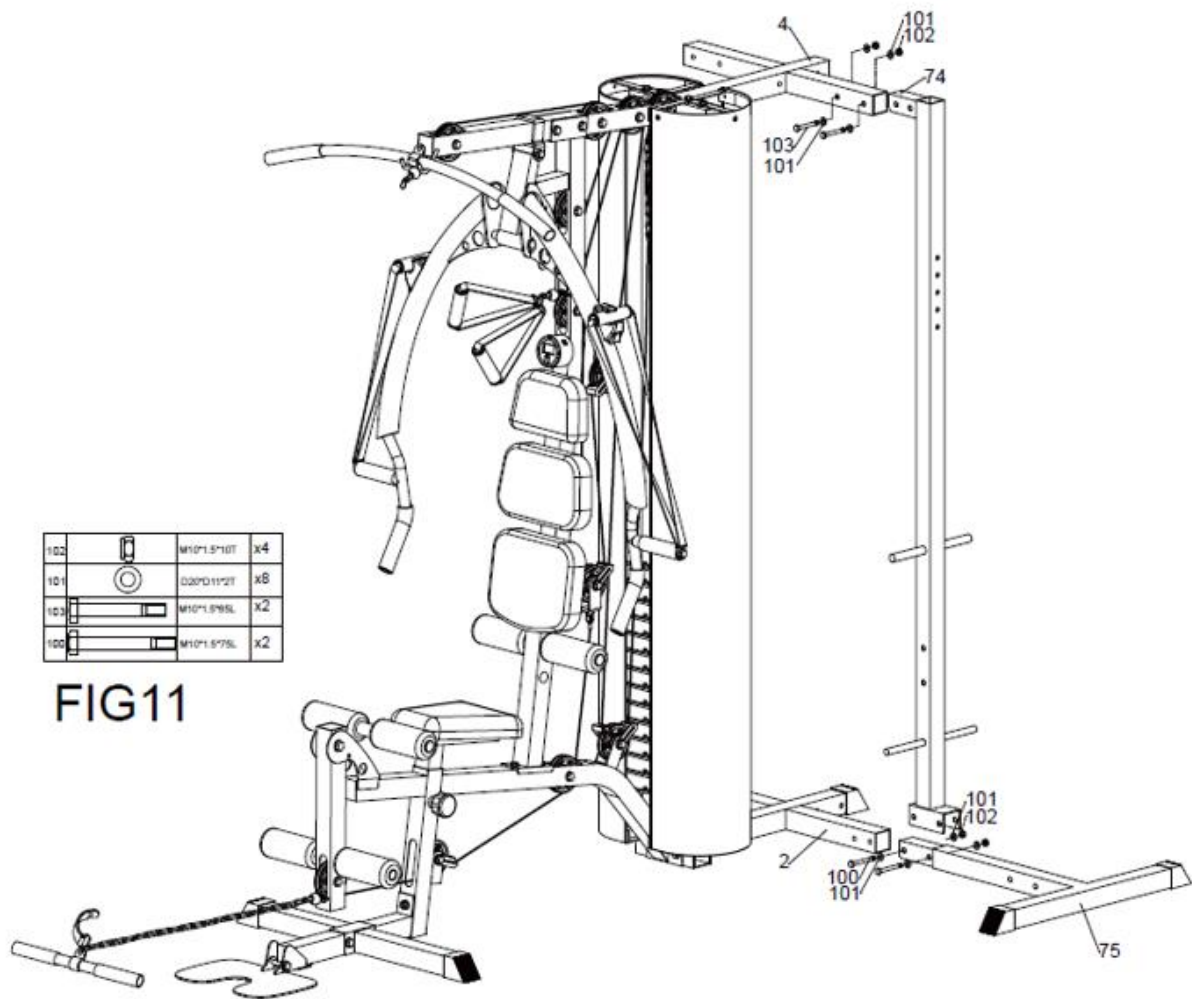
The VKR+STEPPER could be adjusted in different positions shown as fig. 5-1/2/3.

1. Back part of the item;
2. Left part of the item;
3. Right part of the item.

## L SHAPE ASSEMBLY

Follow steps 1 through 10 above to assemble the L-shaped tower. The L-shape assembly steps are described in steps 11-14 below.

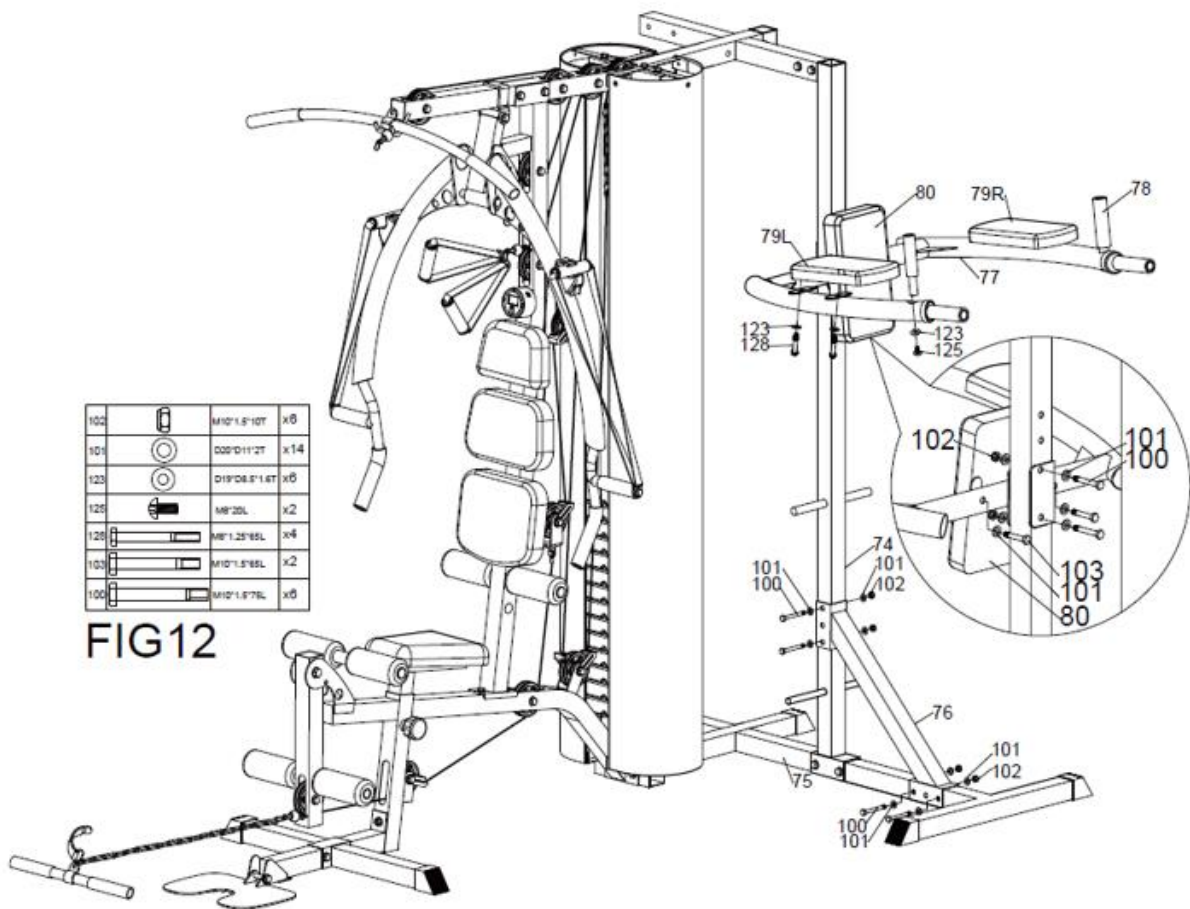
### STEP 11



On the top, attach the rear frame (74) to the upper frame (4) using 4x washers (101), 2x nuts (102) and 2x screws (103).

On the bottom, attach the rear beam (75) to the lower frame (2) using 4x washers (101), 2x nuts (102) and 2x screws (100).

STEP 12



Attach the armrest support (77) to the rear vertical frame (74) with 2x screws (100), 4x washers (101) and 2x nuts (102)

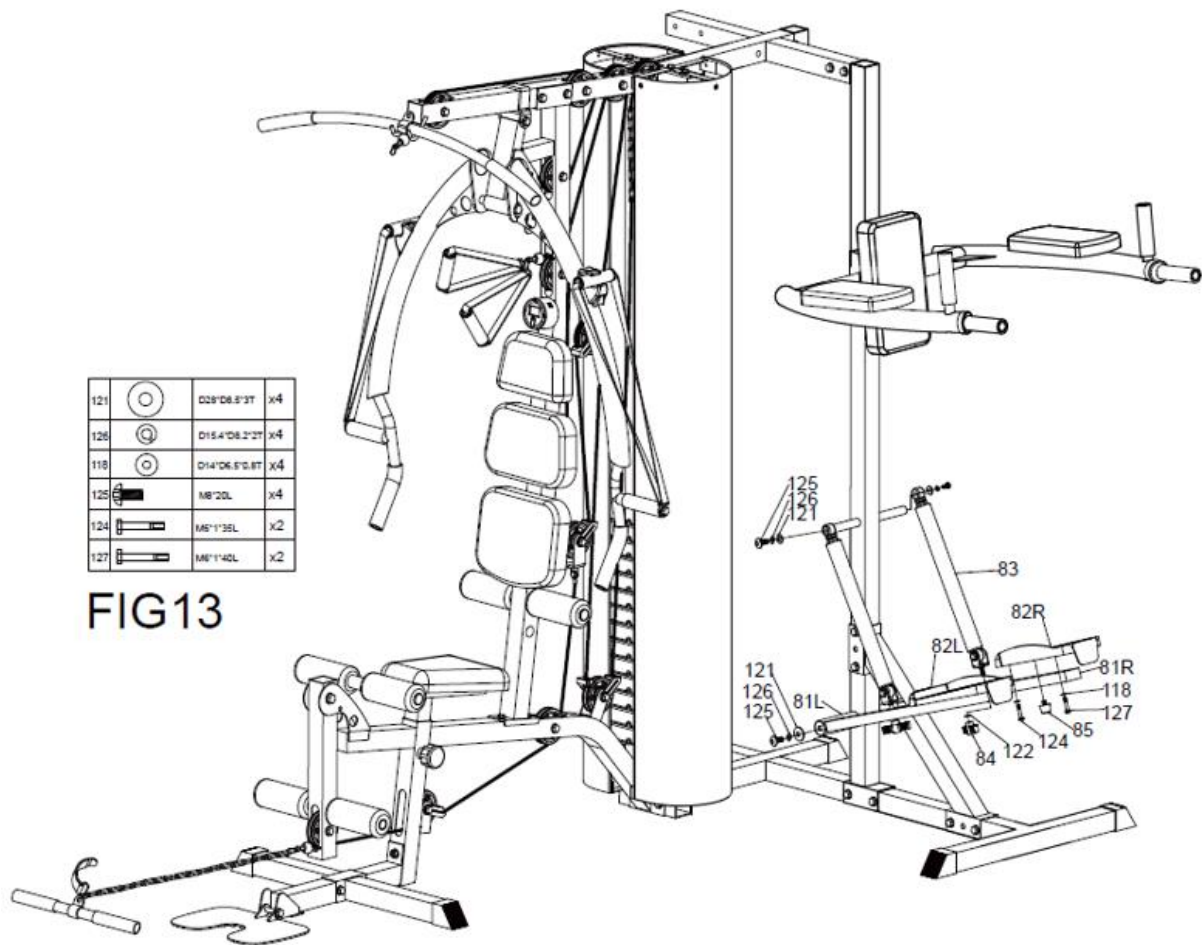
Attach the backrest (80) to the armrest support (77) with 2x screws (103) and 2x washers (101).

Attach the left and right arm supports (79 L / R) to the arm supports (77) using 4x screws (128) and 4x washers (123).

Attach the handles (78) to the armrest support (77) with 2x screws (25) and 2x washers (123).

Attach the rear lower support (76) to the rear vertical frame (74) and beam (75) using 4x screws (100), 8x washers (101) and 4x nuts (102).

STEP 13



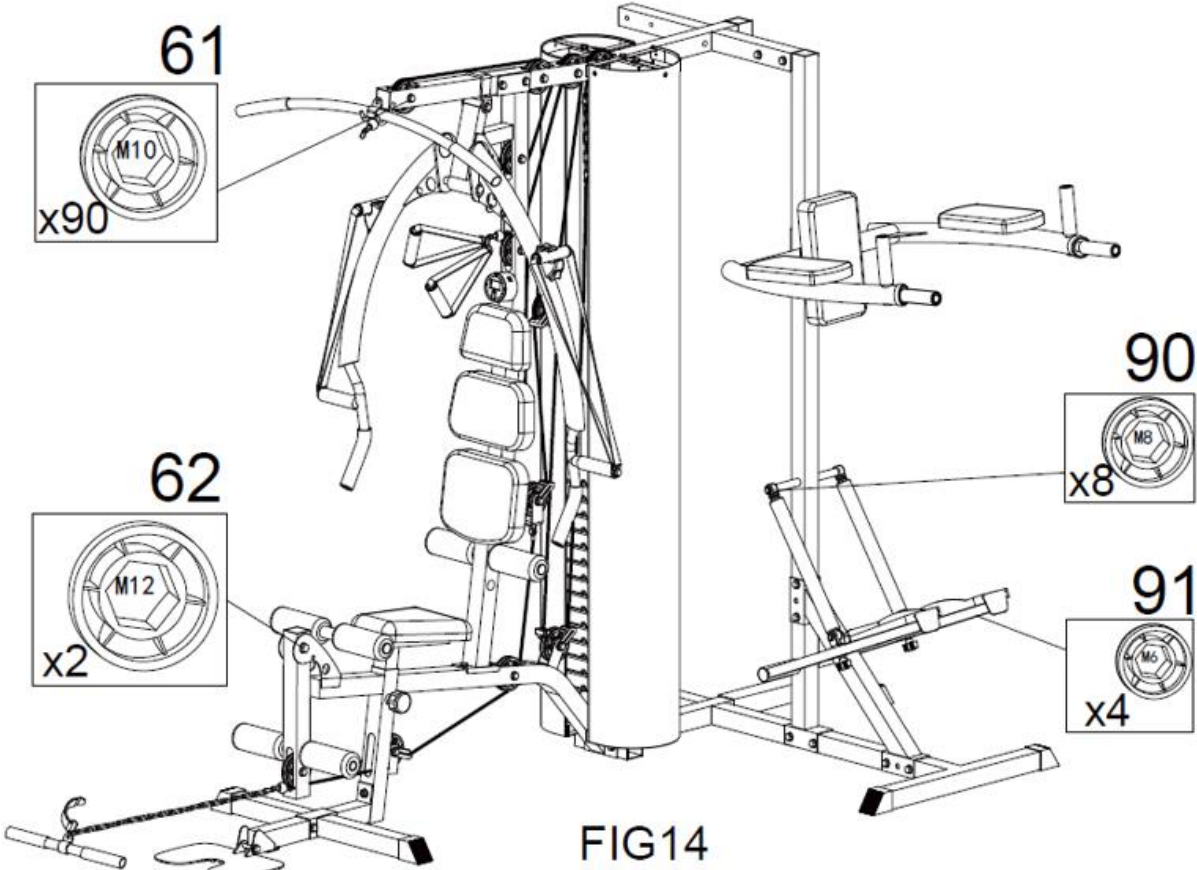
Attach the left and right pedal supports (81 L / R) to rear vertical frame (74) with 2x screws (125), 2x spring washers (126) and 2x flat washers (125).

Attach the hydraulic cylinder (83) to the rear vertical frame (74) with 2x screws (125), 2x spring washers (126) and 2x flat washers (121). Then attach the hydraulic cylinders (83) to the left and right pedal supports (81 L / R) using 2x knobs (84) and 2x flat washers (122).

Attach the left and right pedals (82 L / R) to the pedal supports (81 L / R) with 2x screws (124), 2x screws (127) and 4x washers (118).

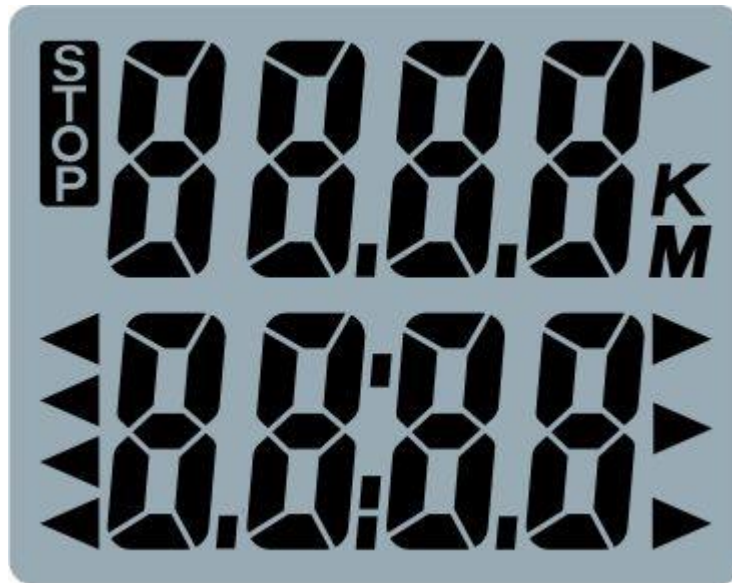
Attach the shock absorbers (85) to the pedal supports (81 L / R).

STEP 14



Attach the caps (61, 62, 90, 91) to the screws.

## COMPUTER INSTRUCTION (ST6355)



Button function:

MODE/RESET – press to select pre-set functions or hold for total reset of all functional values without turning on the console

Functions:

STOP – when you stop pedalling, STOP will be displayed on the screen

STRIDES/MIN – displaying strides for each min.

SCAN/COUNT – is scans automatically through each function in sequence of every 6 seconds when turned on

TIME – accumulates total working time up to 99:59

CALORIE: Accumulates calorie consumption during exercise. Max. value is 9999 cal. This data is only indicative and serve only for comparison among different workout sessions. They are not for medical use.

Turning on from hibernation reset movement data

### NOTE:

- The display shuts down automatically if there is no signal within 4 minutes. All previous working values will be reset.
- After a signal, the monitor powers on automatically.
- If the monitor does not display correctly, reinstall the battery.
- Battery spec.: 1.5V AA (1 pc)
- The monitor features a buzzer. If it is on, the buzzer gives a signal.

## EXERCISES AVAILABLE ON MULTI-GYM INSPORTLINE PHANTON

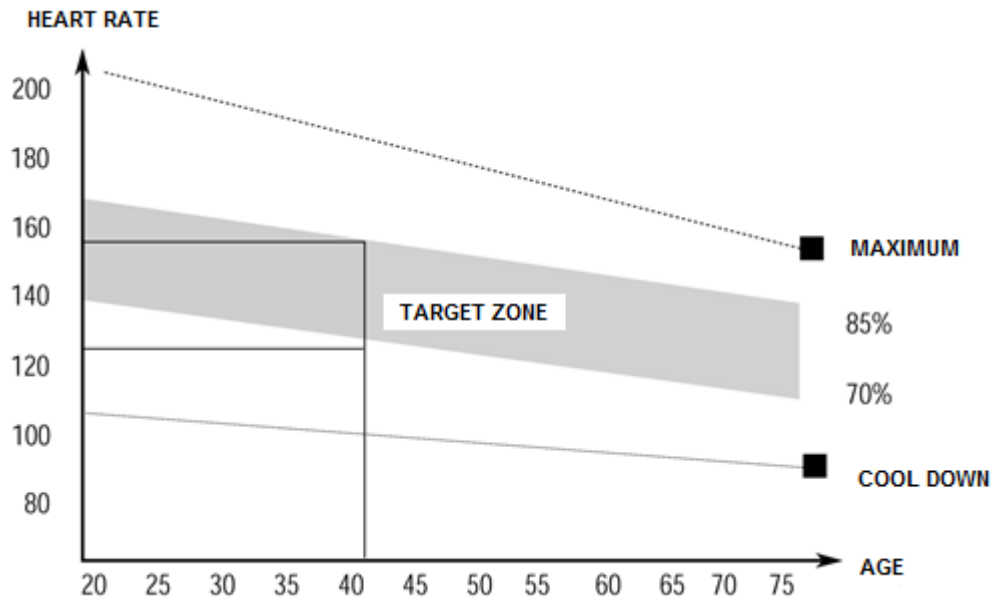
- Biomechanical linear movement provided by the patented design with a wide range of adjustment options
- Stair stepper with adjustable resistance
- Parallel bars for dips and intense ab exercises
- Butterfly station for chest muscle exercises (as well as rhomboid muscle exercises)
- Bench presses

- Multi-press
- Cables for rowing simulation
- Thighs, calves and glutes exercises (pulls)
- Upper back pulley (both in front of and behind body)
- Lower pulley exercises (pulling up or vertically)
- Rowing simulation
- Leg curls

## EXERCISE

- Exercise properly to strengthen muscles and improve your fitness. Observe instructions for correct diet for possible weight loss.
- Warm-Up phase: Improves blood circulation to reduce cramp risk. Each strengthening exercise should take at least 30 seconds. Don't exercise too strenuously.
- Workout is a time, when the effort should be set in. After proper workout, the muscles should get more flexible. Observe correct pace and heart rate according to figure below. This stage should last min. 12 mins. Best start at 15-20 mins.
- Cooling down: It will calm your cardio-vascular system. It is repetition of warm-up exercises. You will decrease the pace and progress for next 5 minutes. Repeat strengthening exercises again. You can gradually increase pace and intensity. Recommended workout is three times per week.
- Increase the intensity to tone your muscles. Do warm-up and cool-down exercises regularly, but at the workout end, exercise more intensively and move your legs more intensively. Keep your heart rate in recommended line. The harder workout, the greater number of burned calories.





### Recommended maintenance:

Maintain it regularly according to its workload, but at least every 20 hours of working.

Maintenance includes:

- Check all moving parts (shafts, joints etc.). Check proper lubrication. Add oil, if necessary. Use: bike oil, oil for sewing machines, silicone oil.
- Check that all screws and nuts are properly tightened.
- Clean it only with soapy water. Never use abrasives.
- Store in dry and warm place.

## ENVIRONMENT PROTECTION

After the product lifespan expired or if the possible repairing is uneconomic, dispose it according to the local laws and environmentally friendly in the nearest scrapyard.

By proper disposal you will protect the environment and natural sources. Moreover, you can help protect human health. If you are not sure in correct disposing, ask local authorities to avoid law violation or sanctions.

Don't put the batteries among house waste but hand them in to the recycling place.

## TERMS AND CONDITIONS OF WARRANTY, WARRANTY CLAIMS

### General Conditions of Warranty and Definition of Terms

All Warranty Conditions stated here under determine Warranty Coverage and Warranty Claim Procedure. Conditions of Warranty and Warranty Claims are governed by Act No. 89/2012 Coll. Civil Code, and Act No. 634/1992 Coll., Consumer Protection, as amended, also in cases that are not specified by these Warranty rules.

The seller is SEVEN SPORT s.r.o. with its registered office in Strakonická street 1151/2c, Prague 150 00, Company Registration Number: 26847264, registered in the Trade Register at Regional Court in Prague, Section C, Insert No. 116888.

According to valid legal regulations it depends whether the Buyer is the End Customer or not.

“The Buyer who is the End Customer” or simply the “End Customer” is the legal entity that does not conclude and execute the Contract in order to run or promote his own trade or business activities.



“The Buyer who is not the End Customer” is a Businessman that buys Goods or uses services for the purpose of using the Goods or services for his own business activities. The Buyer conforms to the General Purchase Agreement and business conditions.

These Conditions of Warranty and Warranty Claims are an integral part of every Purchase Agreement made between the Seller and the Buyer. All Warranty Conditions are valid and binding, unless otherwise specified in the Purchase Agreement, in the Amendment to this Contract or in another written agreement.

### **Warranty Conditions**

#### **Warranty Period**

The Seller provides the Buyer a 24 months Warranty for Goods Quality, unless otherwise specified in the Certificate of Warranty, Invoice, Bill of Delivery or other documents related to the Goods. The legal warranty period provided to the Consumer is not affected.

By the Warranty for Goods Quality, the Seller guarantees that the delivered Goods shall be, for a certain period of time, suitable for regular or contracted use, and that the Goods shall maintain its regular or contracted features.

#### **The Warranty does not cover defects resulting from (if applicable):**

- User's fault, i.e. product damage caused by unqualified repair work, improper assembly, insufficient insertion of seat post into frame, insufficient tightening of pedals and cranks
- Improper maintenance
- Mechanical damages
- Regular use (e.g. wearing out of rubber and plastic parts, moving mechanisms, joints, wear of brake pads/blocks, chain, tires, cassette/multi wheel etc.)
- Unavoidable event, natural disaster
- Adjustments made by unqualified person
- Improper maintenance, improper placement, damages caused by low or high temperature, water, inappropriate pressure, shocks, intentional changes in design or construction etc.

### **Warranty Claim Procedure**

The Buyer is obliged to check the Goods delivered by the Seller immediately after taking the responsibility for the Goods and its damages, i.e. immediately after its delivery. The Buyer must check the Goods so that he discovers all the defects that can be discovered by such check.

When making a Warranty Claim the Buyer is obliged, on request of the Seller, to prove the purchase and validity of the claim by the Invoice or Bill of Delivery that includes the product's serial number, or eventually by the documents without the serial number. If the Buyer does not prove the validity of the Warranty Claim by these documents, the Seller has the right to reject the Warranty Claim.

If the Buyer gives notice of a defect that is not covered by the Warranty (e.g. in the case that the Warranty Conditions were not fulfilled or in the case of reporting the defect by mistake etc.), the Seller is eligible to require a compensation for all the costs arising from the repair. The cost shall be calculated according to the valid price list of services and transport costs.

If the Seller finds out (by testing) that the product is not damaged, the Warranty Claim is not accepted. The Seller reserves the right to claim a compensation for costs arising from the false Warranty Claim.

In case the Buyer makes a claim about the Goods that is legally covered by the Warranty provided by the Seller, the Seller shall fix the reported defects by means of repair or by the exchange of the damaged part or product for a new one. Based on the agreement of the Buyer, the Seller has the right to exchange the defected Goods for a fully compatible Goods of the same or better technical characteristics. The Seller is entitled to choose the form of the Warranty Claim Procedures described in this paragraph.

The Seller shall settle the Warranty Claim within 30 days after the delivery of the defective Goods, unless a longer period has been agreed upon. The day when the repaired or exchanged Goods is handed over to the Buyer is considered to be the day of the Warranty Claim settlement. When the

Seller is not able to settle the Warranty Claim within the agreed period due to the specific nature of the Goods defect, he and the Buyer shall make an agreement about an alternative solution. In case such agreement is not made, the Seller is obliged to provide the Buyer with a financial compensation in the form of a refund.

**CZ**

**SEVEN SPORT s.r.o.**

Registered Office: Strakonická 1151/2c, Praha 5, 150 00, ČR  
Headquarters: Dělnická 957, Vítkov, 749 01  
Warranty & Service: Čermenská 486, Vítkov 749 01

CRN: 26847264  
VAT ID: CZ26847264

Phone: +420 556 300 970  
E-mail: eshop@insportline.cz  
reklamace@insportline.cz  
servis@insportline.cz

Web: www.inSPORTline.cz

**SK**

**inSPORTline s.r.o.**

Headquarters, warranty & service center: Električná 6471, Trenčín 911 01, SK

CRN: 36311723  
VAT ID: SK2020177082

Phone: +421(0)326 526 701  
E-mail: objednavky@insportline.sk  
reklamacie@insportline.sk  
servis@insportline.sk

Web: www.inSPORTline.sk